

[54] TOE-RAIL

[75] Inventor: Warren M. Black, Newbury, Ohio

[73] Assignee: Merriman Holbrook, Inc.

[**] Term: 14 Years

[21] Appl. No.: 959,686

[22] Filed: Nov. 13, 1978

[51] Int. Cl. D12-16; D12-03

[52] U.S. Cl. D12/70; D25/74;
D12/50

[58] Field of Search D12/70, 50; D25/74;
104/106-110; 9/1.1; 211/94

[56] References Cited

U.S. PATENT DOCUMENTS

2,879,560 3/1959 Stefan D25/74

FOREIGN PATENT DOCUMENTS

913471 10/1972 Canada 9/1.7

OTHER PUBLICATIONS

Goiot Catalog-1976-p. 37, (Boat Equipment Catalog Box).

Primary Examiner—Sam Rosen

Attorney, Agent, or Firm—Richard H. Thomas

[57] CLAIM

The ornamental design for a toe-rail, substantially as shown and described.

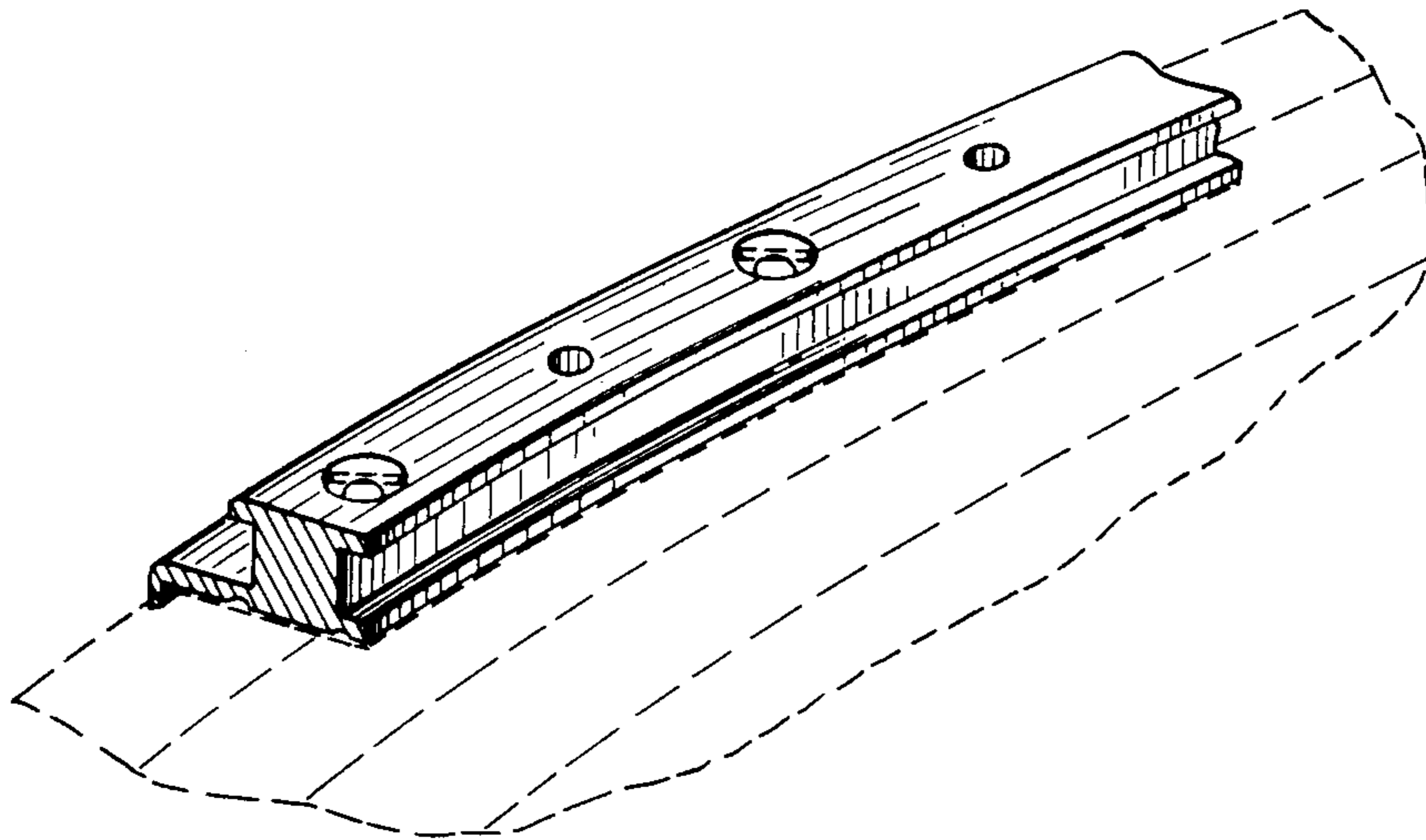
DESCRIPTION

FIG. 1 is a reduced perspective view of a toe-rail showing my new design; with the broken lines in the holes indicating screws and those running parallel to the track indicating deck planking with the broken lines being for illustrative purposes only and not forming part of the claimed design;

FIG. 2 is a section view taken through line 2—2 of FIG. 3; and

FIG. 3 is a top plan view thereof.

FIGS. 1 and 3 are shown with fractured ends to show indeterminate length.



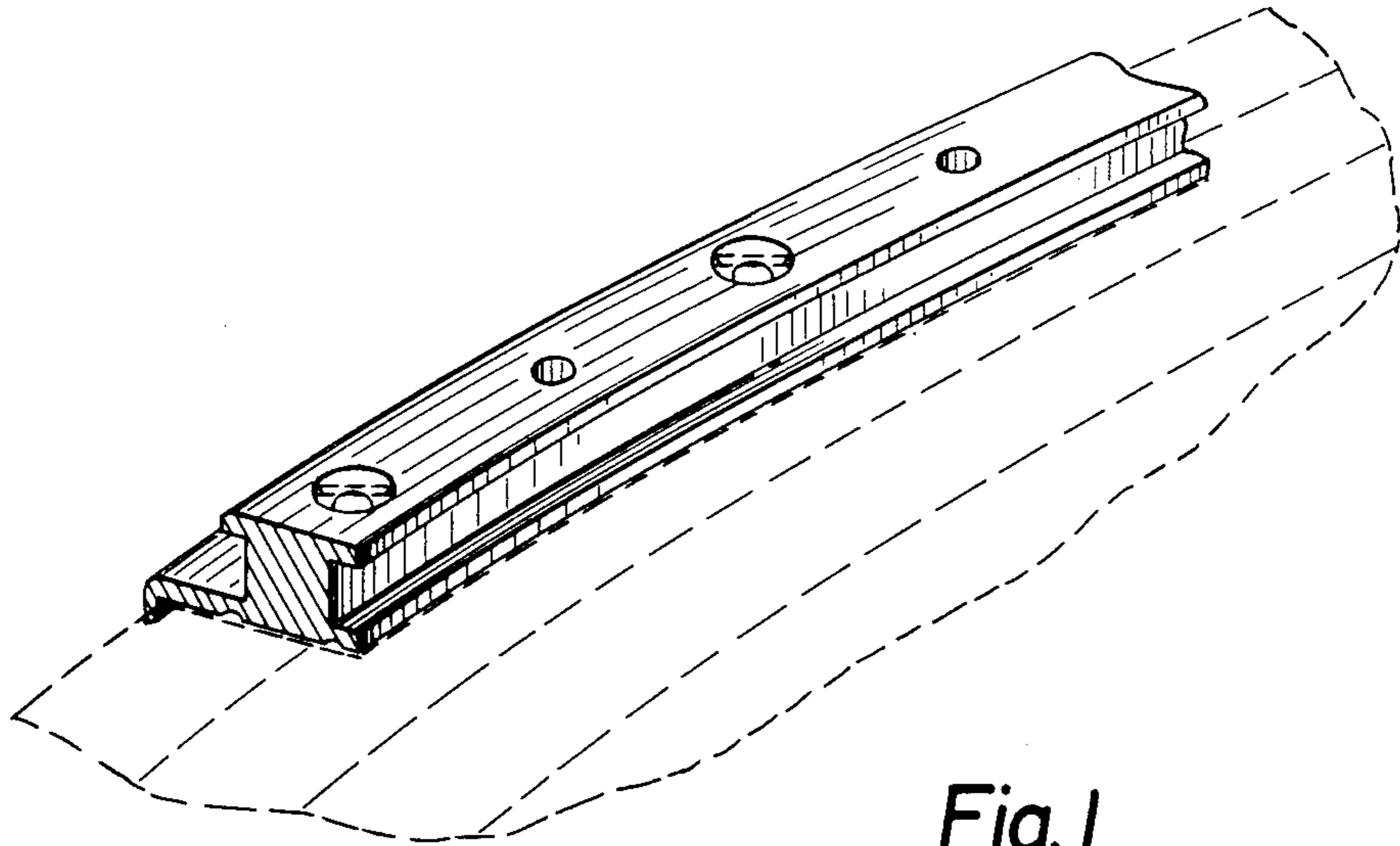


Fig. 1

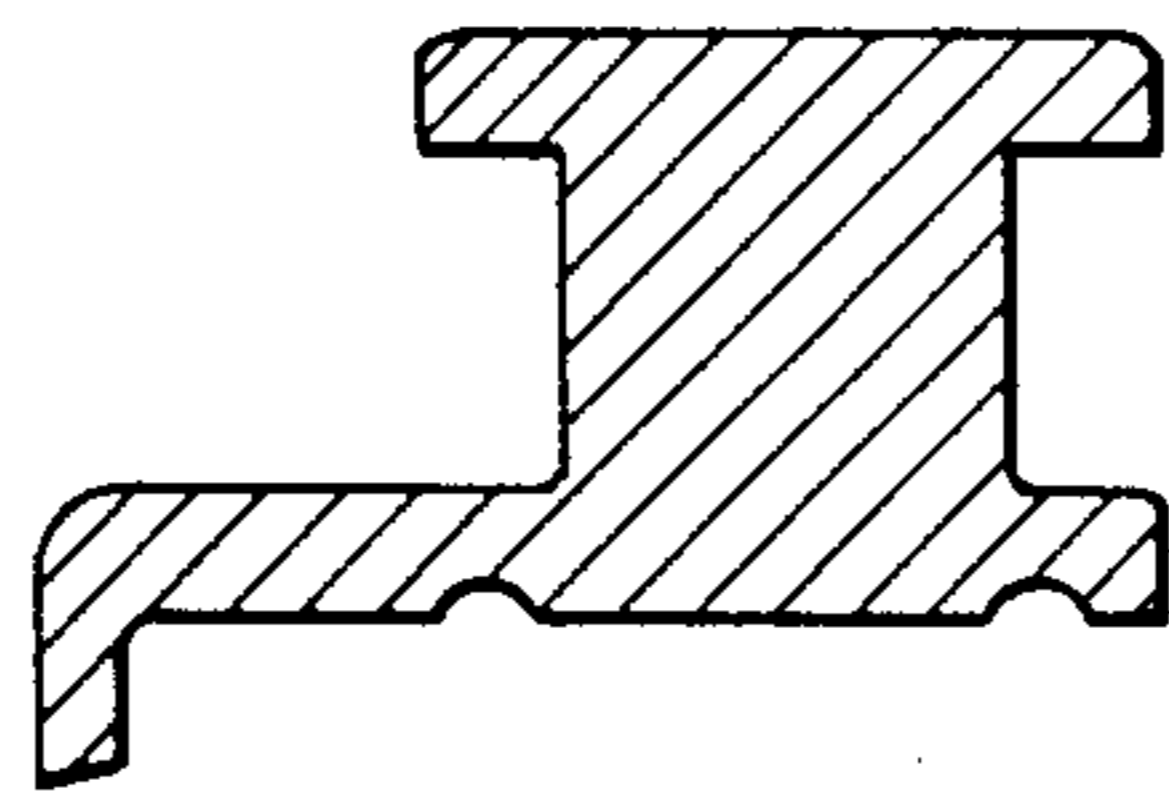


Fig. 2

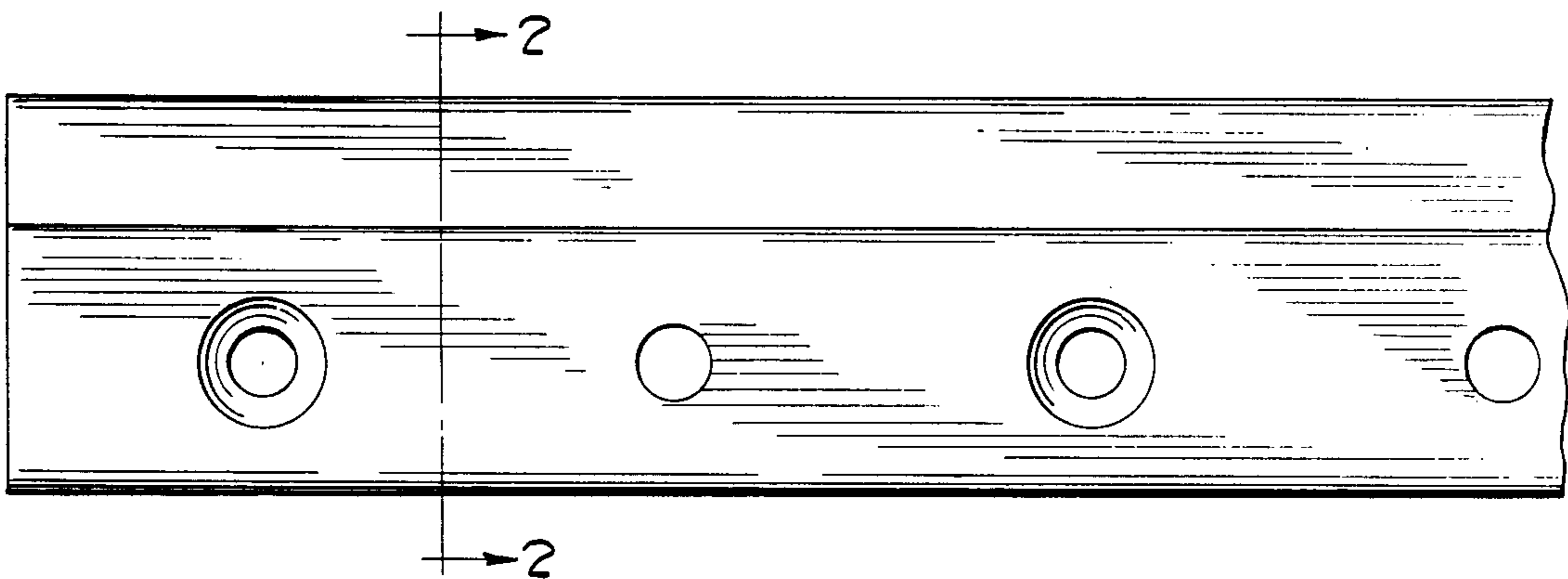


Fig. 3