

[54] COMBINED GAUGE AND MOUNTING BLOCK

3,760,842 9/1973 Mikiya ..... 137/557  
4,005,847 2/1977 Ekman ..... 73/756 X

[76] Inventor: Aubrey L. Lewis, Rte. 1, Box 53L, Frisco, Tex. 75034

[\*\*] Term: 14 Years

[21] Appl. No.: 959,429

[22] Filed: Nov. 9, 1978

[51] Int. Cl. .... D10-04

[52] U.S. Cl. .... D10/85

[58] Field of Search ..... D10/46, 85, 86; D23/1, D23/21, 22, 40, 43, 45, 69; 33/756, 732-740, 741-743, 432; 137/227, 557, 223, 561 A; 285/93, 150, 179

[56] References Cited

U.S. PATENT DOCUMENTS

D. 233,569	11/1974	Miller	.....	D23/21 X
D. 235,139	5/1975	Ekman	.....	D10/103
1,490,584	4/1924	Bornholdt	.....	73/756
2,954,041	9/1960	Gasche	.....	285/150 X

OTHER PUBLICATIONS

*Design News*-6/6/60-p. 13-"Eastman Parallel Swivel Connector at center".

Primary Examiner-Nelson C. Holtje  
Attorney, Agent, or Firm-E. Mickey Hubbard

[57] CLAIM

The ornamental design for a combined gauge and mounting block, as shown and described.

DESCRIPTION

FIG. 1 is an upper right front perspective view of a combined gauge and mounting block showing my new design;

FIG. 2 is a top plan view thereof;

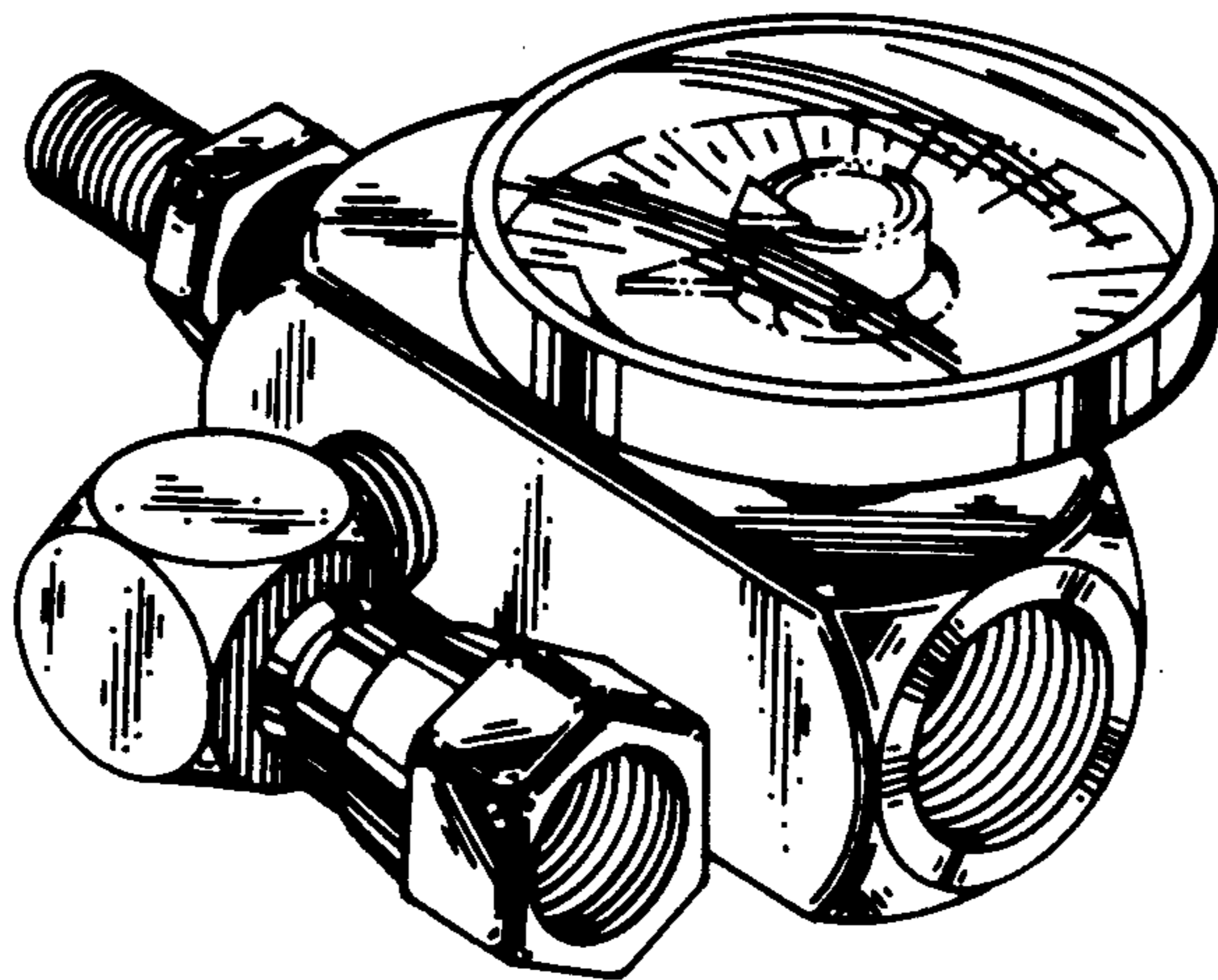
FIG. 3 is a bottom plan view thereof;

FIG. 4 is a front elevational view thereof;

FIG. 5 is a left side elevational view thereof;

FIG. 6 is a rear elevational view thereof;

FIG. 7 is a right side elevational view thereof.



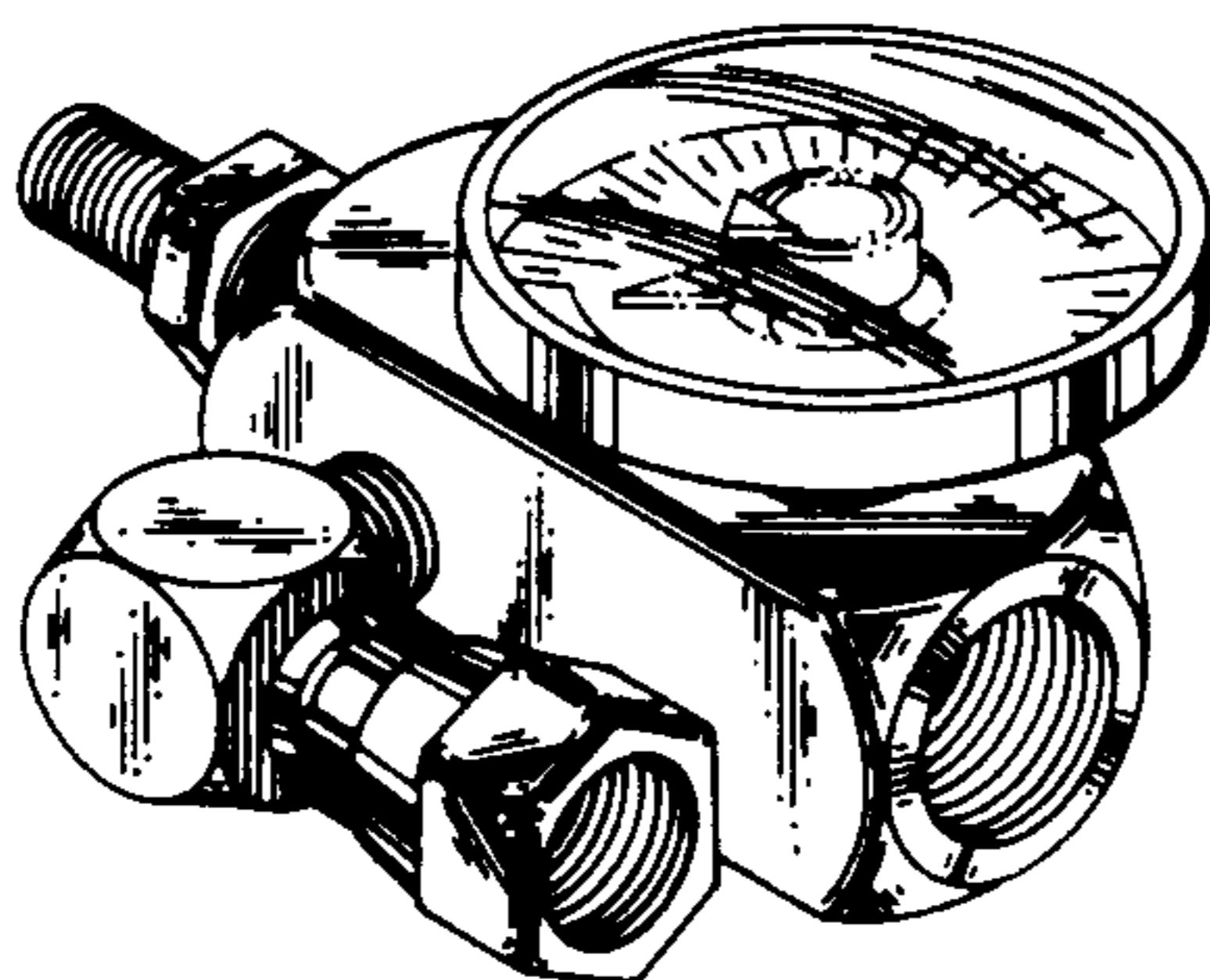


FIG. 1

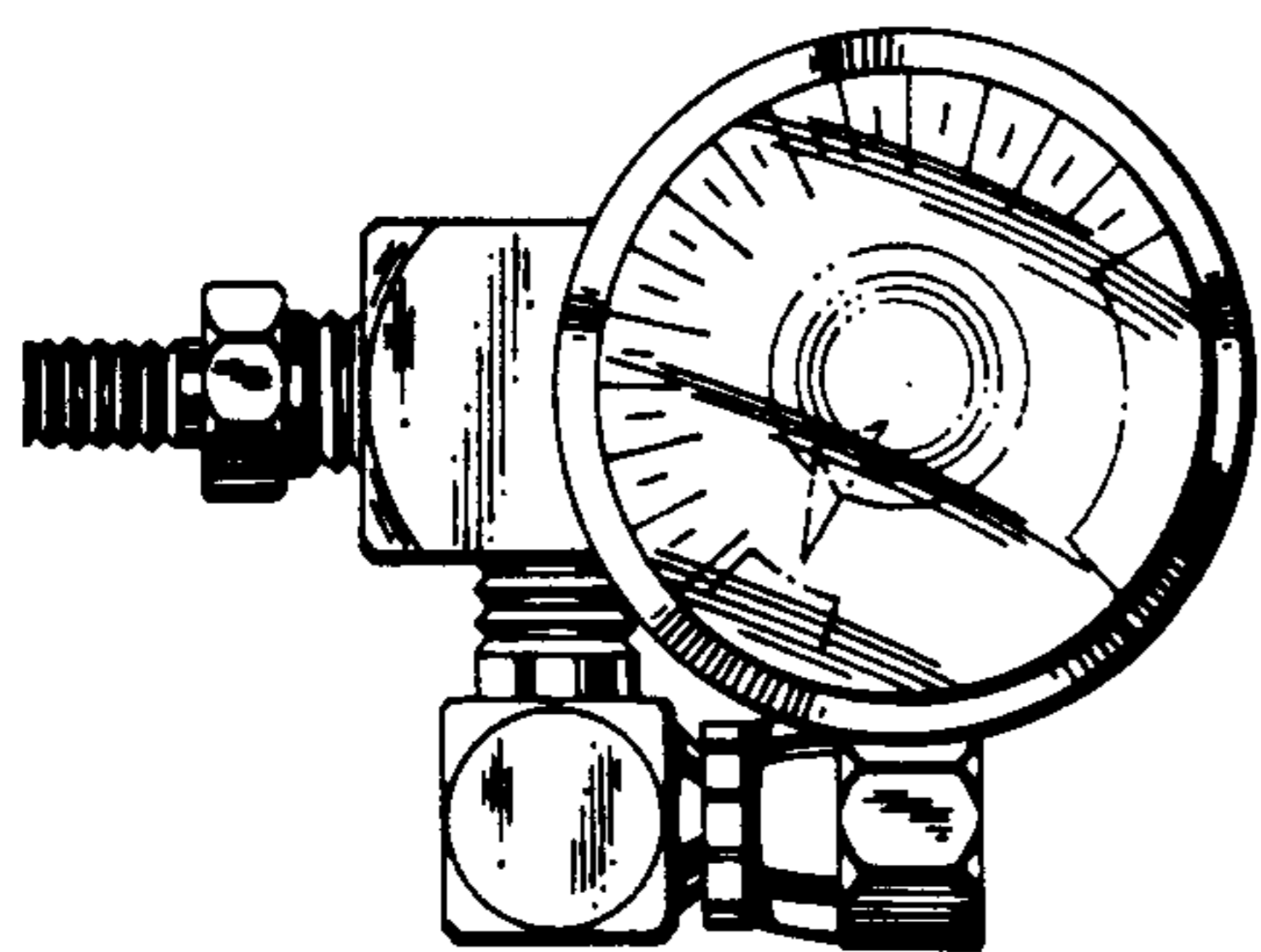


FIG. 2

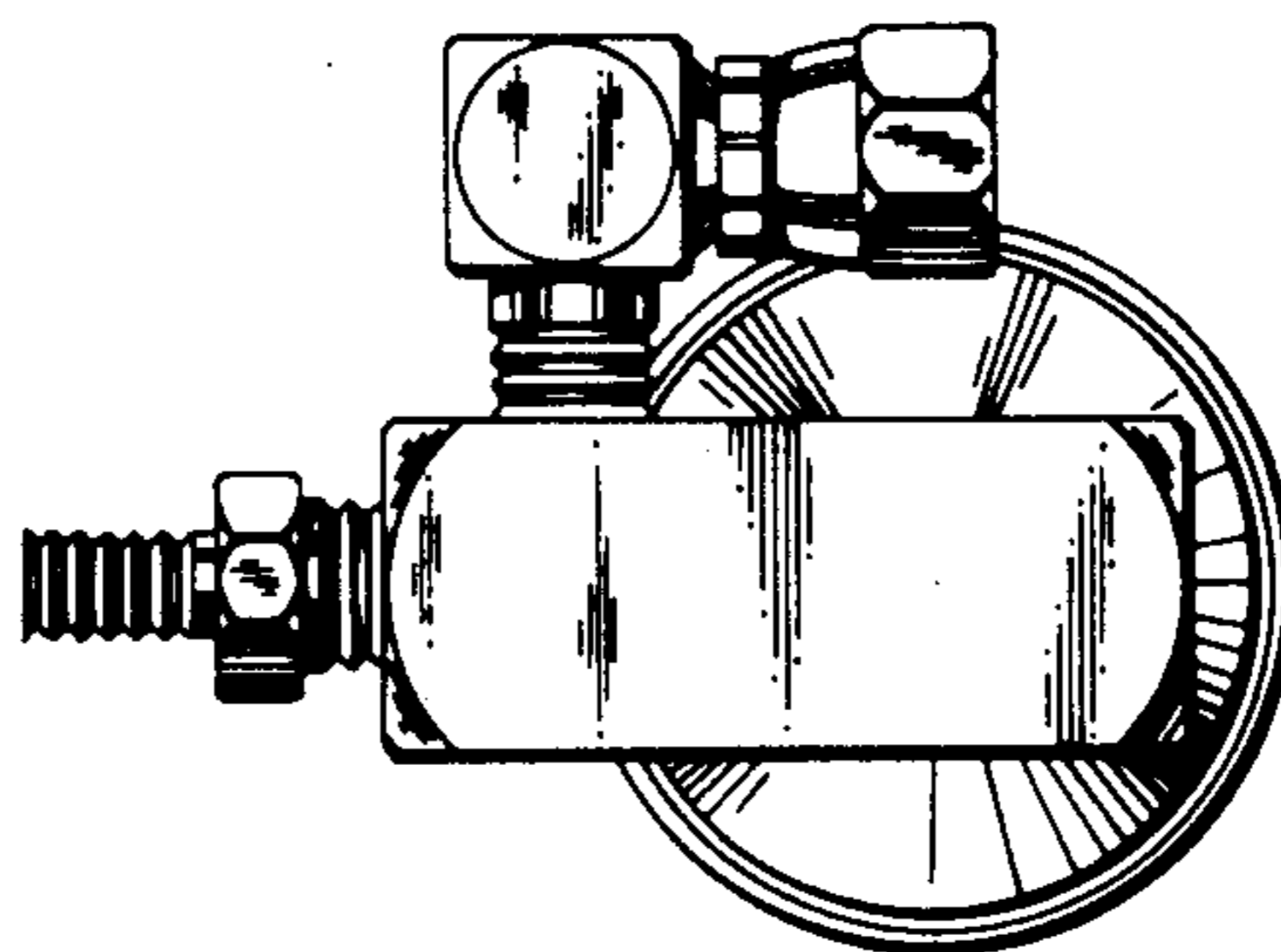


FIG. 3

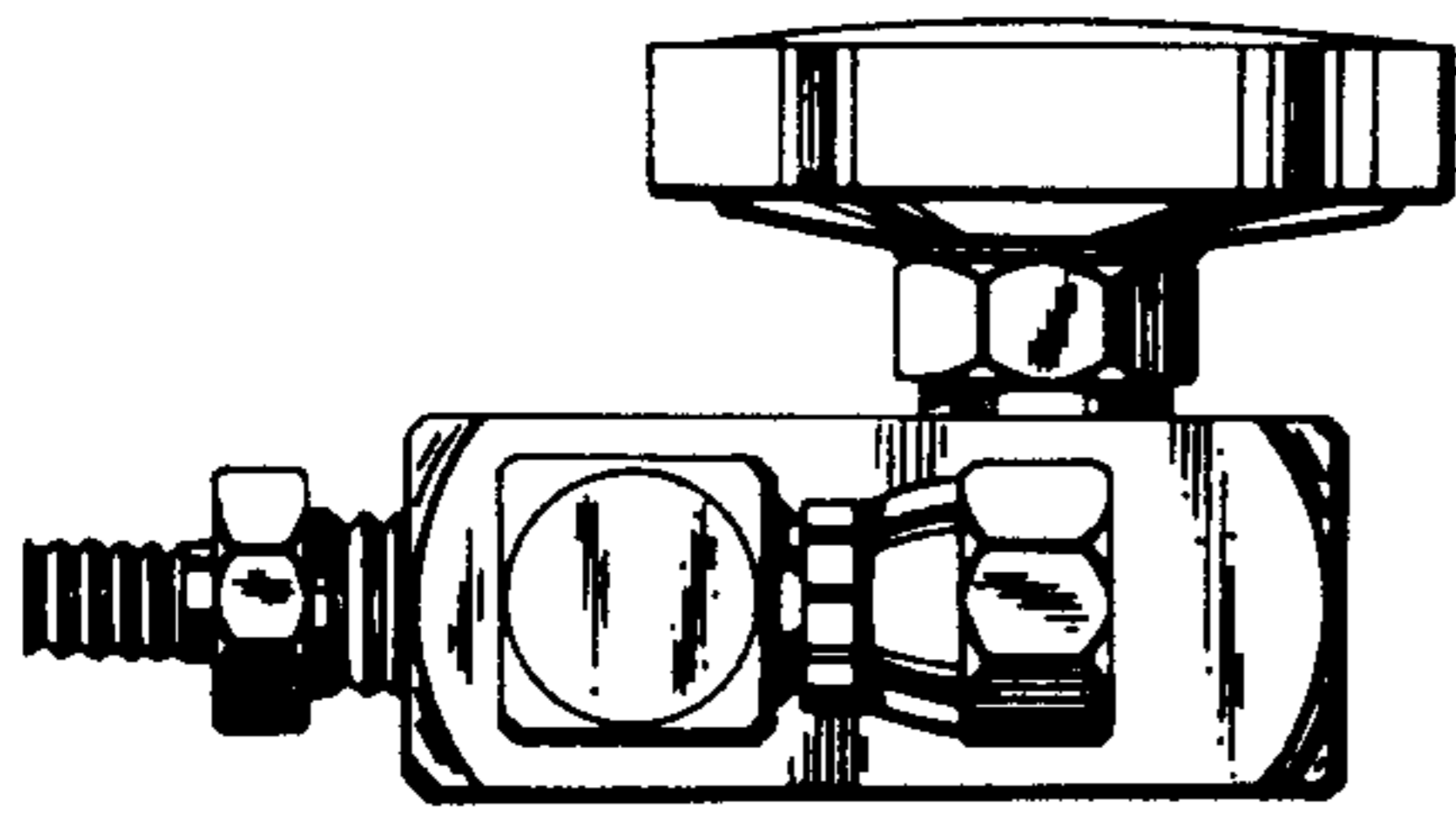


FIG. 4

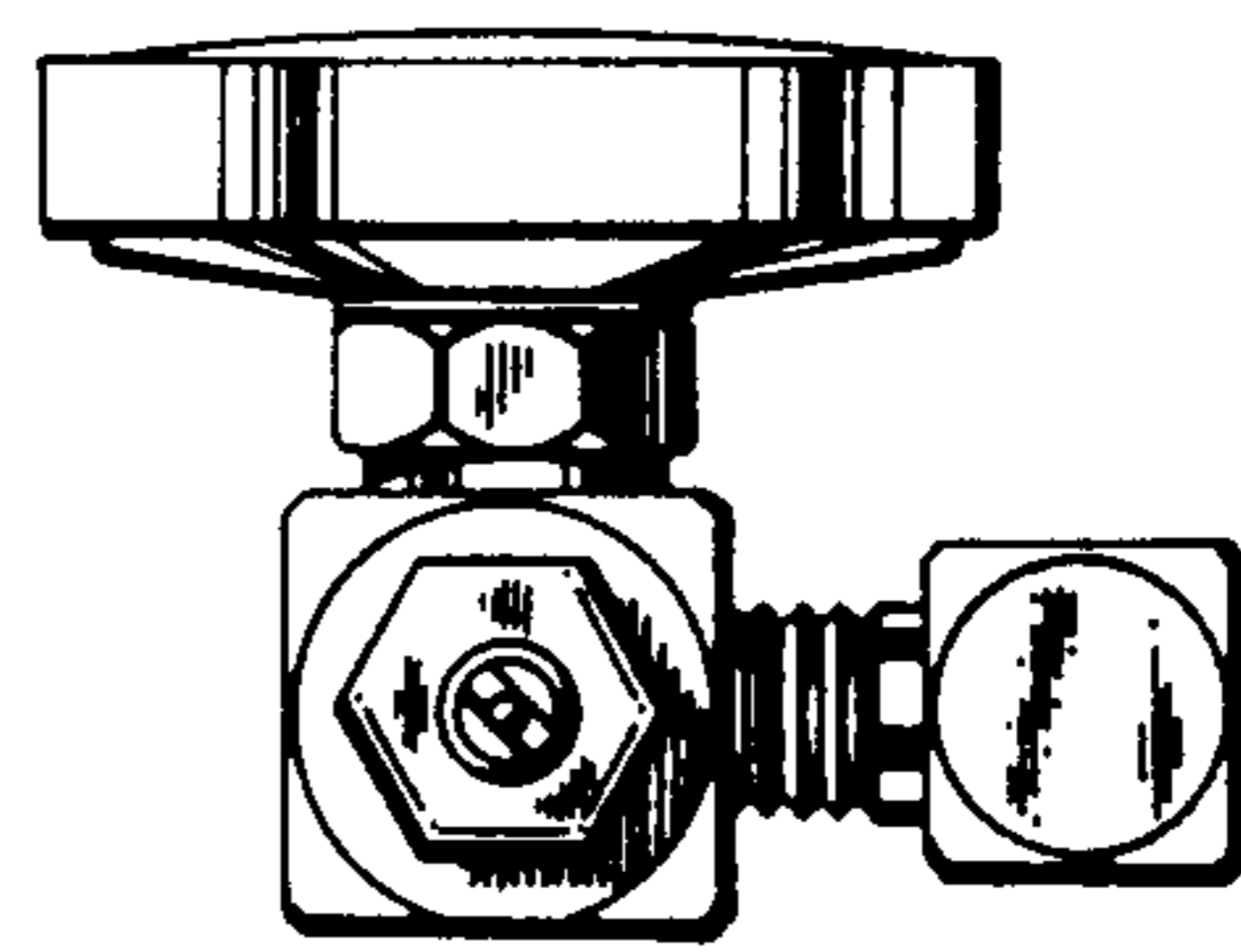


FIG. 5

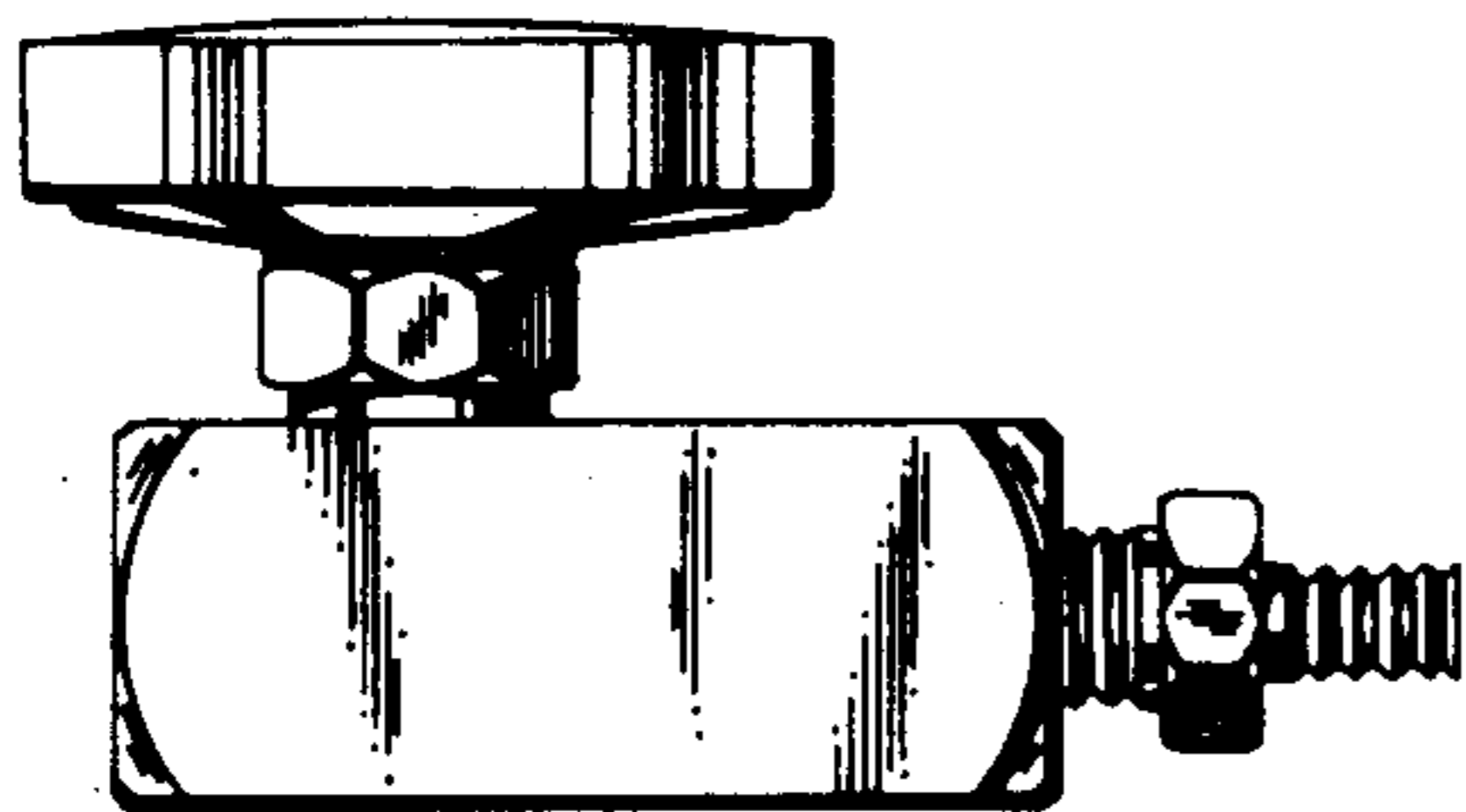


FIG. 6

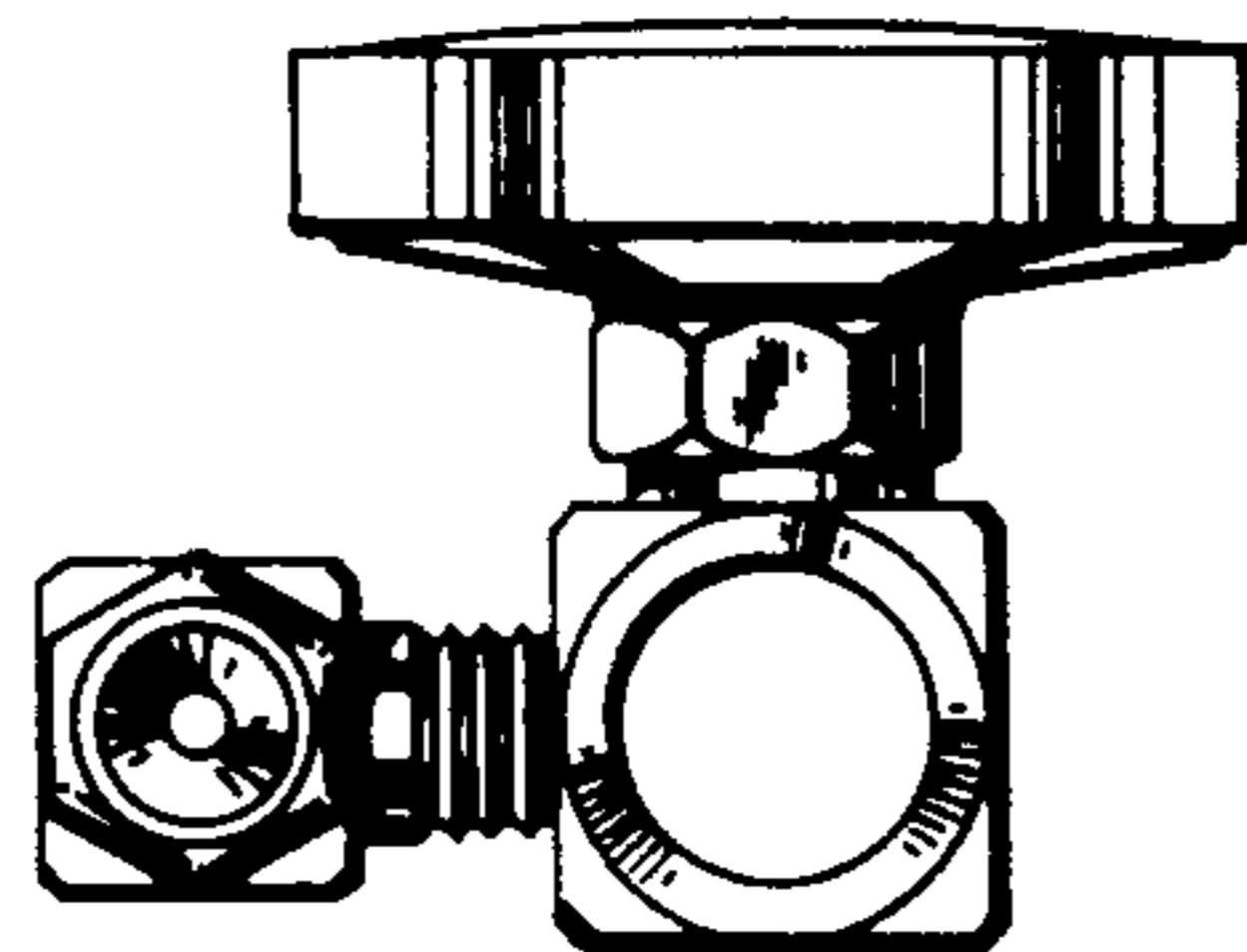


FIG. 7