

[54] ELECTRONIC METAL WALL SCANNER

3,510,766 5/1970 Russell ..... D10/78 X

[76] Inventor: Frederic W. Schwartz, 338  
Rochambeau Ave., Providence, R.I.  
02906

FOREIGN PATENT DOCUMENTS

729706 5/1955 United Kingdom ..... 324/41

[\*\*] Term: 14 Years

Primary Examiner—Nelson C. Holtje  
Attorney, Agent, or Firm—Max Schwartz

[21] Appl. No.: 923,470

[57] CLAIM

[22] Filed: Jul. 10, 1978

The ornamental design for an electronic metal wall scanner, as shown.

[51] Int. Cl. .... D10-04

[52] U.S. Cl. .... D10/47; D10/78

[58] Field of Search .....D10/78X, 47, 46;  
324/328, 41, 156

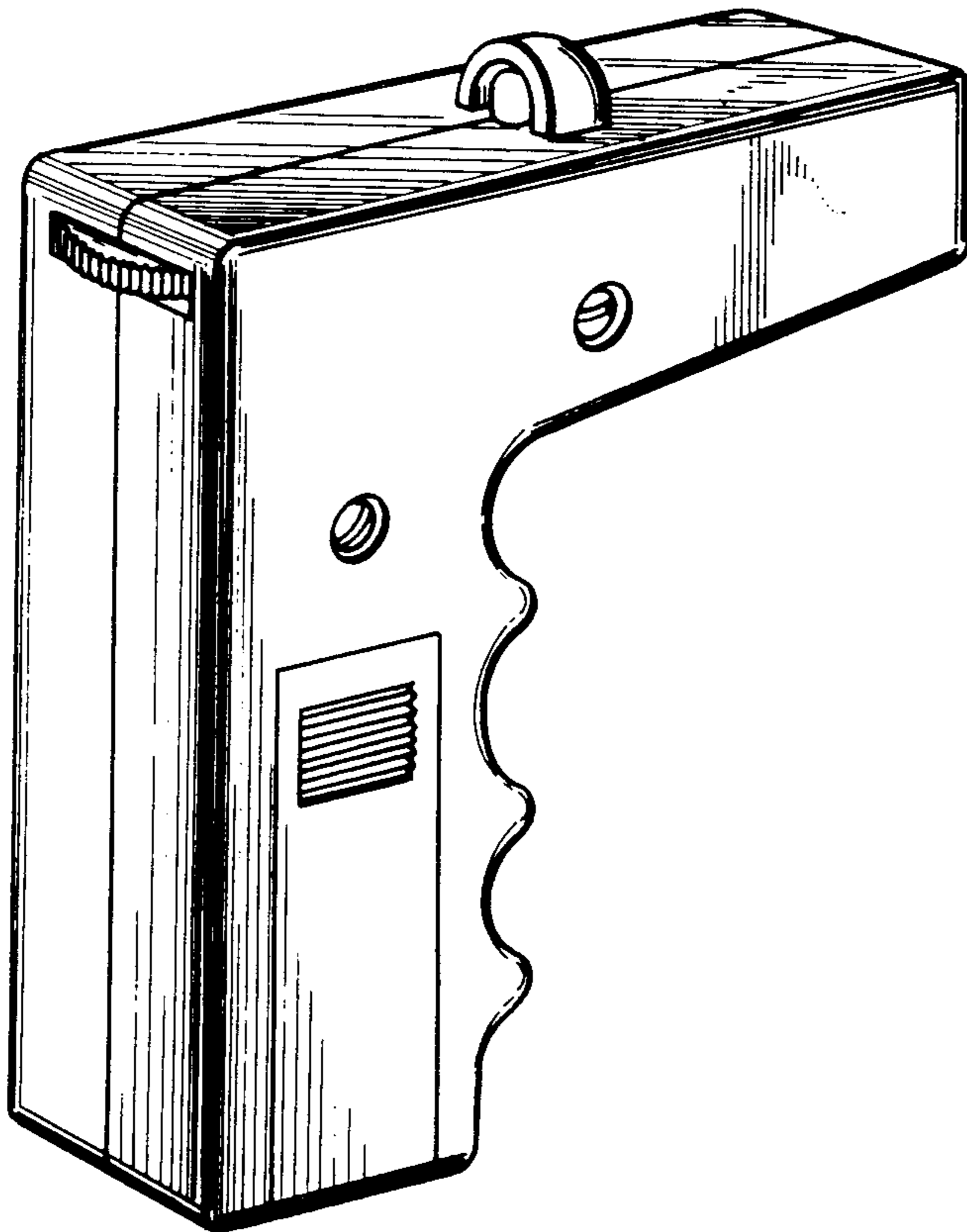
DESCRIPTION

FIG. 1 is a left rear perspective view of an electronic metal wall scanner showing my new design; FIG. 2 is a top plan view thereof; FIG. 3 is a left side elevational view thereof; FIG. 4 is a bottom plan view thereof; FIG. 5 is a right side elevational view thereof; FIG. 6 is a front elevational view thereof; FIG. 7 is a rear elevational view thereof.

[56] References Cited

U.S. PATENT DOCUMENTS

D. 235,317 6/1975 Covey ..... D10/46  
D. 240,119 6/1976 Yue ..... D10/47  
D. 240,635 7/1976 Peterson ..... D10/78



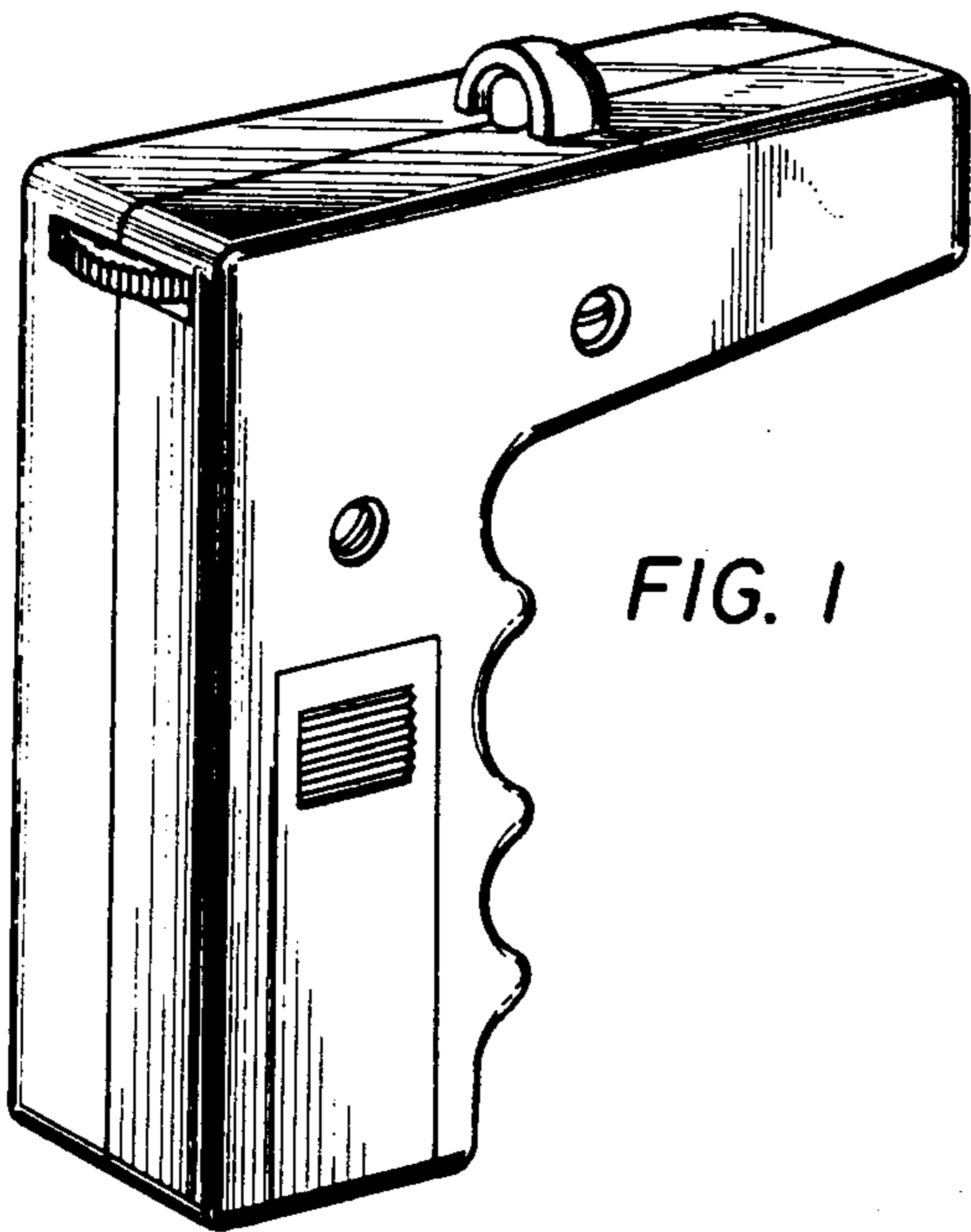


FIG. 1

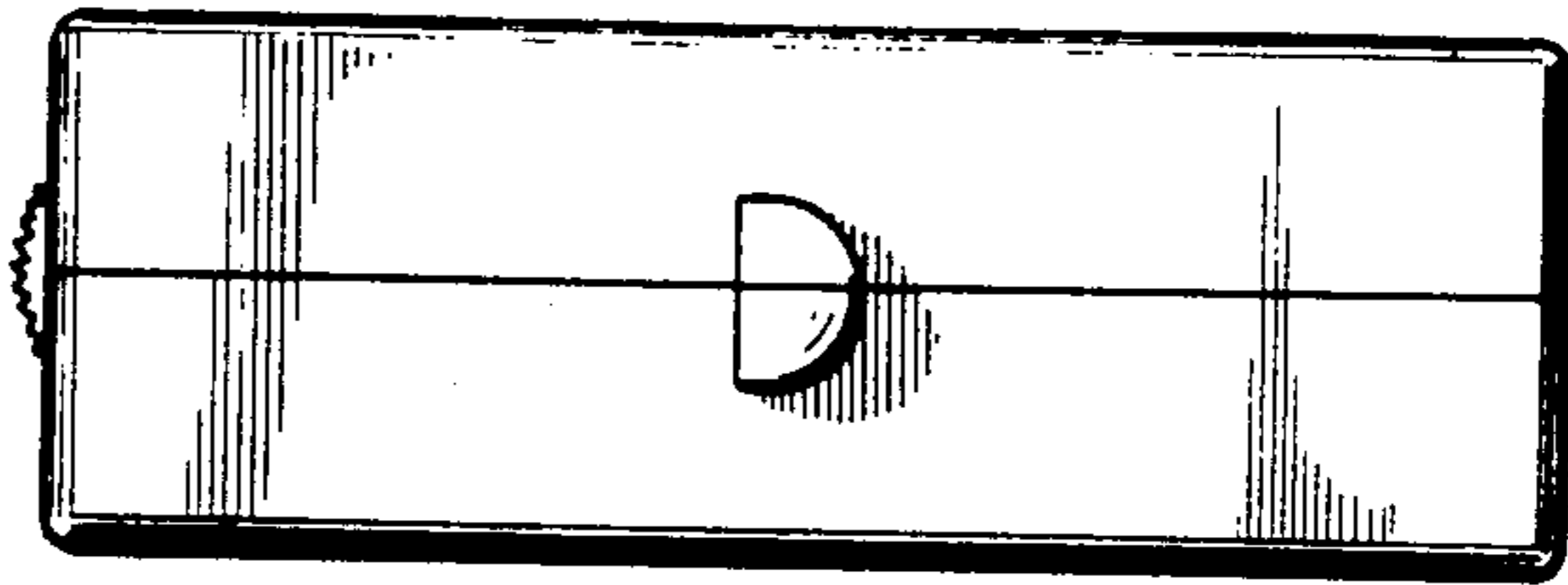


FIG. 2

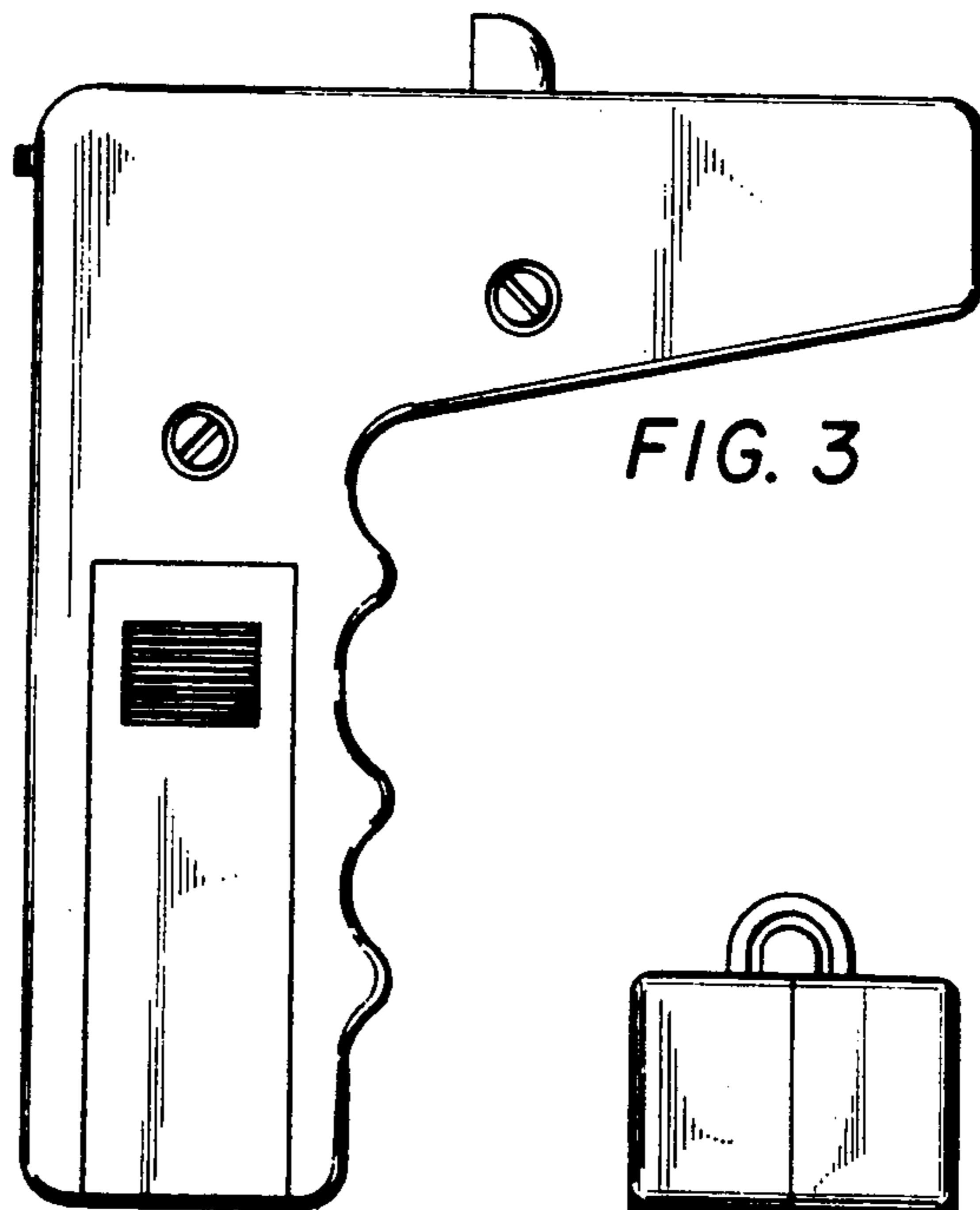


FIG. 3

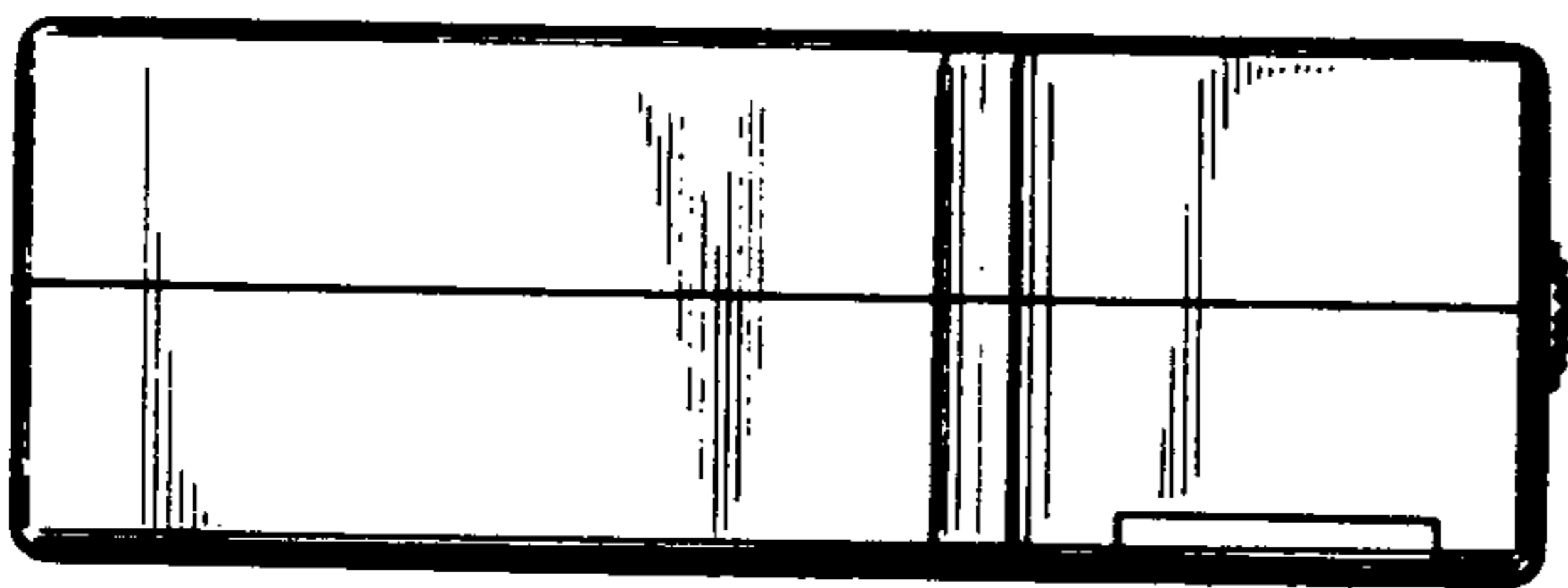


FIG. 4

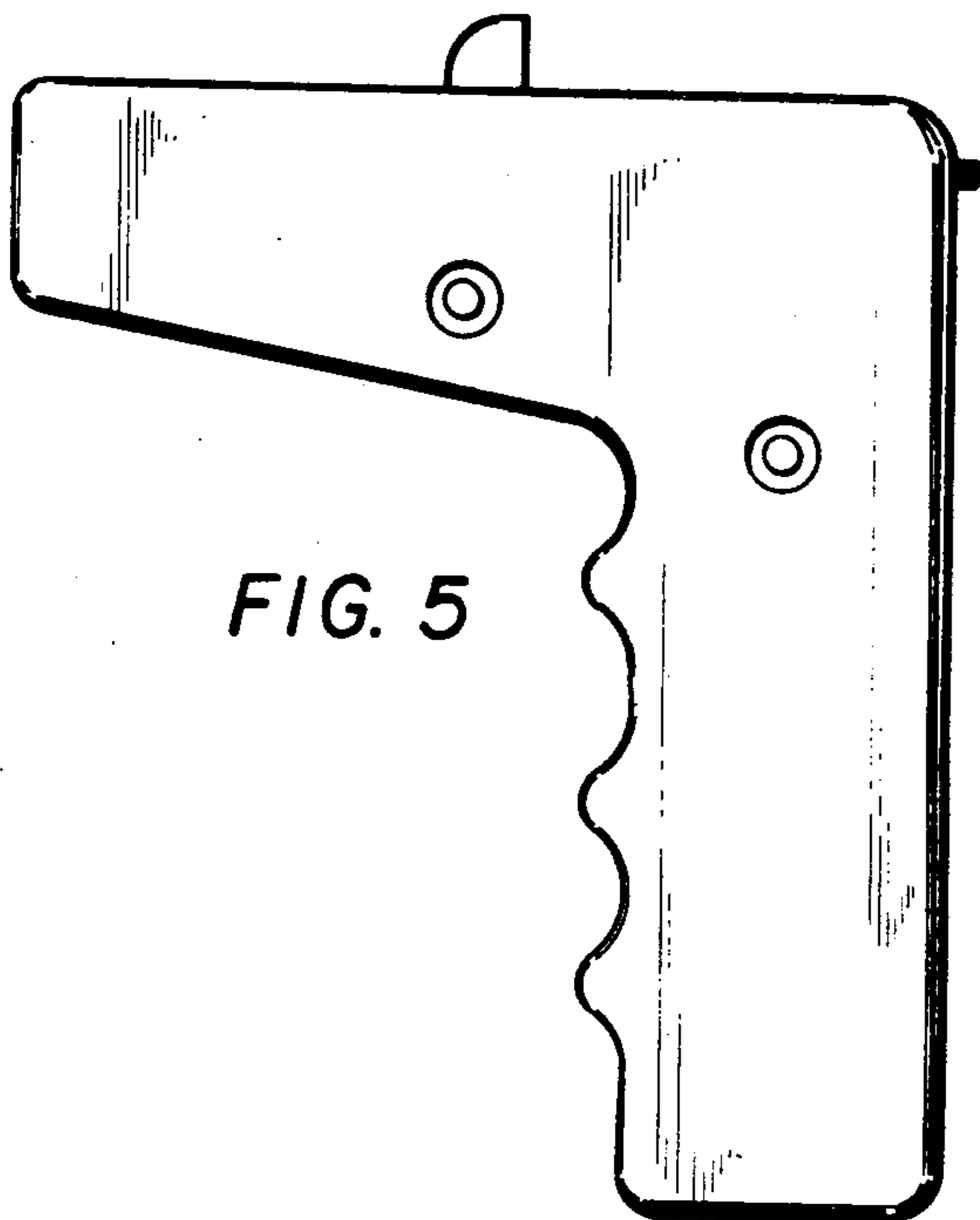


FIG. 5

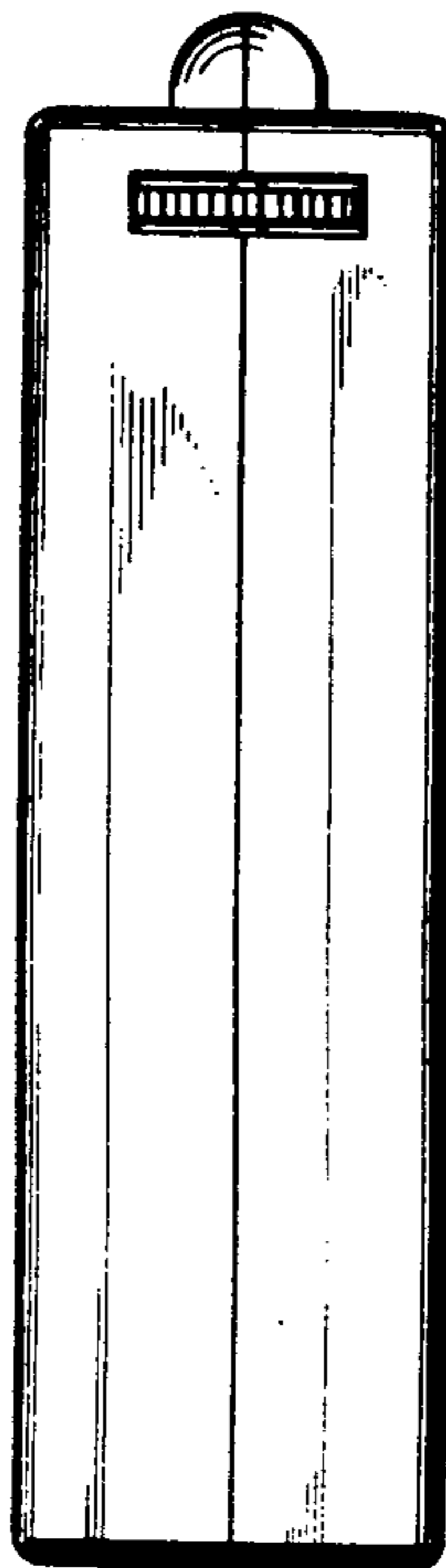


FIG. 7

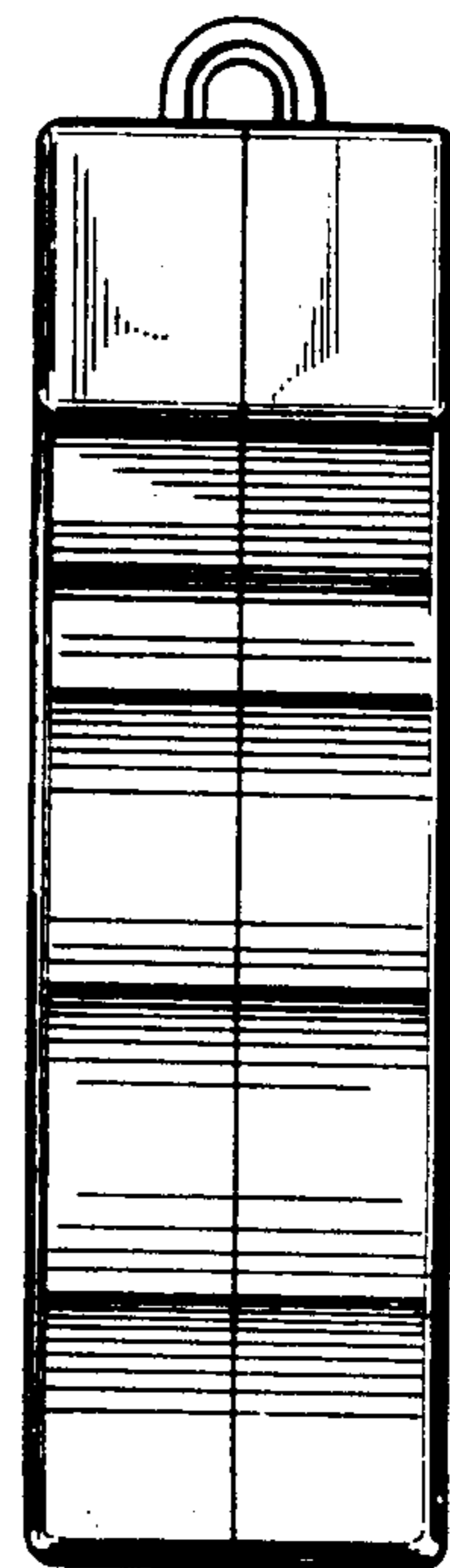


FIG. 6