

[54] **RAZOR DISPLAY PACKAGE**
 [75] Inventor: **Rolf A. Samsing**, Braintree, Mass.
 [73] Assignee: **The Gillette Company**, Boston, Mass.
 [*] Notice: The portion of the term of this patent subsequent to Jun. 10, 1997, has been disclaimed.
 [**] Term: **14 Years**
 [21] Appl. No.: **868,844**
 [22] Filed: **Jan. 12, 1978**

[51] Int. Cl. **D9-03**
 [52] U.S. Cl. **D9/186; D9/192; D9/193**
 [58] Field of Search **D9/184-188, D9/191-193; 206/208, 228, 461-465, 485-488, 471, 476, 45.14, 45.31**

[56] **References Cited**
U.S. PATENT DOCUMENTS
 D. 183,370 8/1958 Raymond D9/188

| | | | | |
|------------|---------|-----------|-------|----------|
| D. 228,629 | 10/1973 | Glaberson | | D9/186 |
| D. 239,696 | 4/1976 | Glaberson | | D9/186 |
| D. 239,699 | 4/1976 | Glaberson | | D9/186 |
| 3,391,783 | 7/1968 | Gantz | | D9/191 X |
| 3,970,194 | 7/1976 | Iten | | 206/228 |

Primary Examiner—Robert C. Spangler
Attorney, Agent, or Firm—Richard A. Wise

[57] **CLAIM**

The ornamental design for a razor display package, substantially as shown and described.

DESCRIPTION

FIG. 1 is a front elevational view of a razor display package showing my new design;
 FIG. 2 is a rear elevational view thereof;
 FIG. 3 is a view taken from the left side of FIG. 1;
 FIG. 4 is a view taken from the right side of FIG. 1;
 FIG. 5 is a view taken from the bottom of FIG. 1, the top being substantially a mirror image thereof; and
 FIG. 6 is a front elevational view of a razor display package showing a further embodiment of my new design.

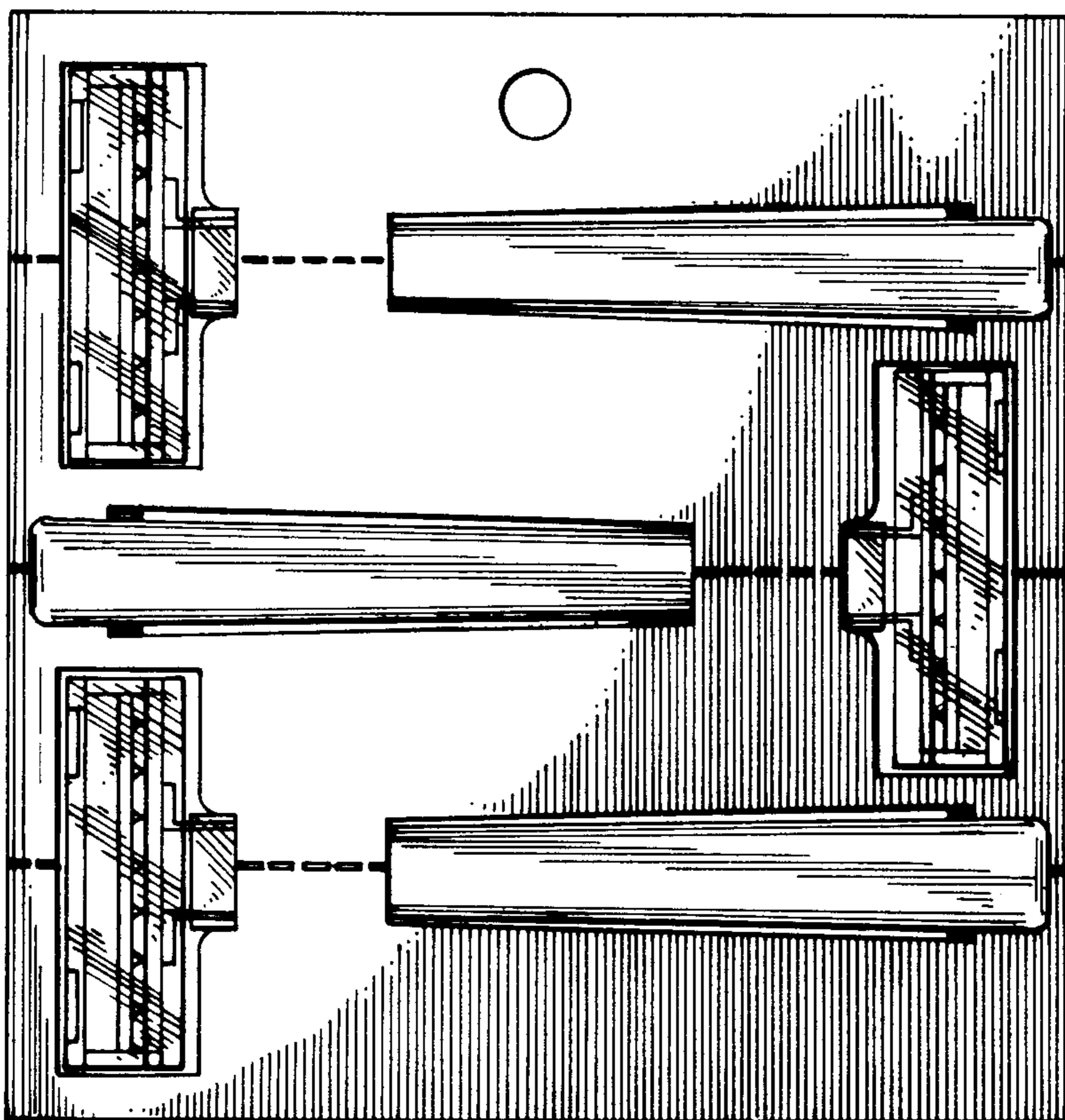


Fig. 1

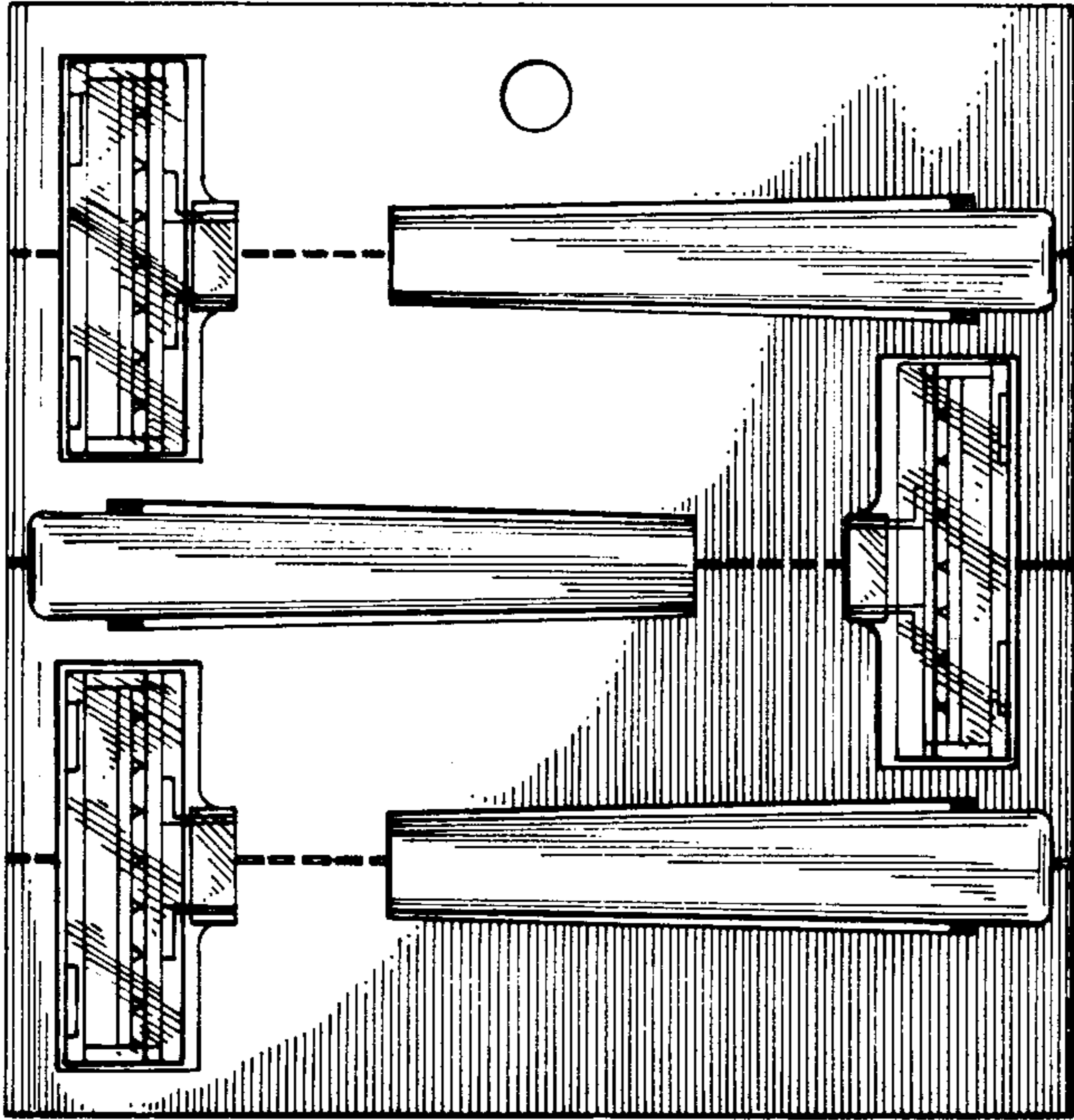
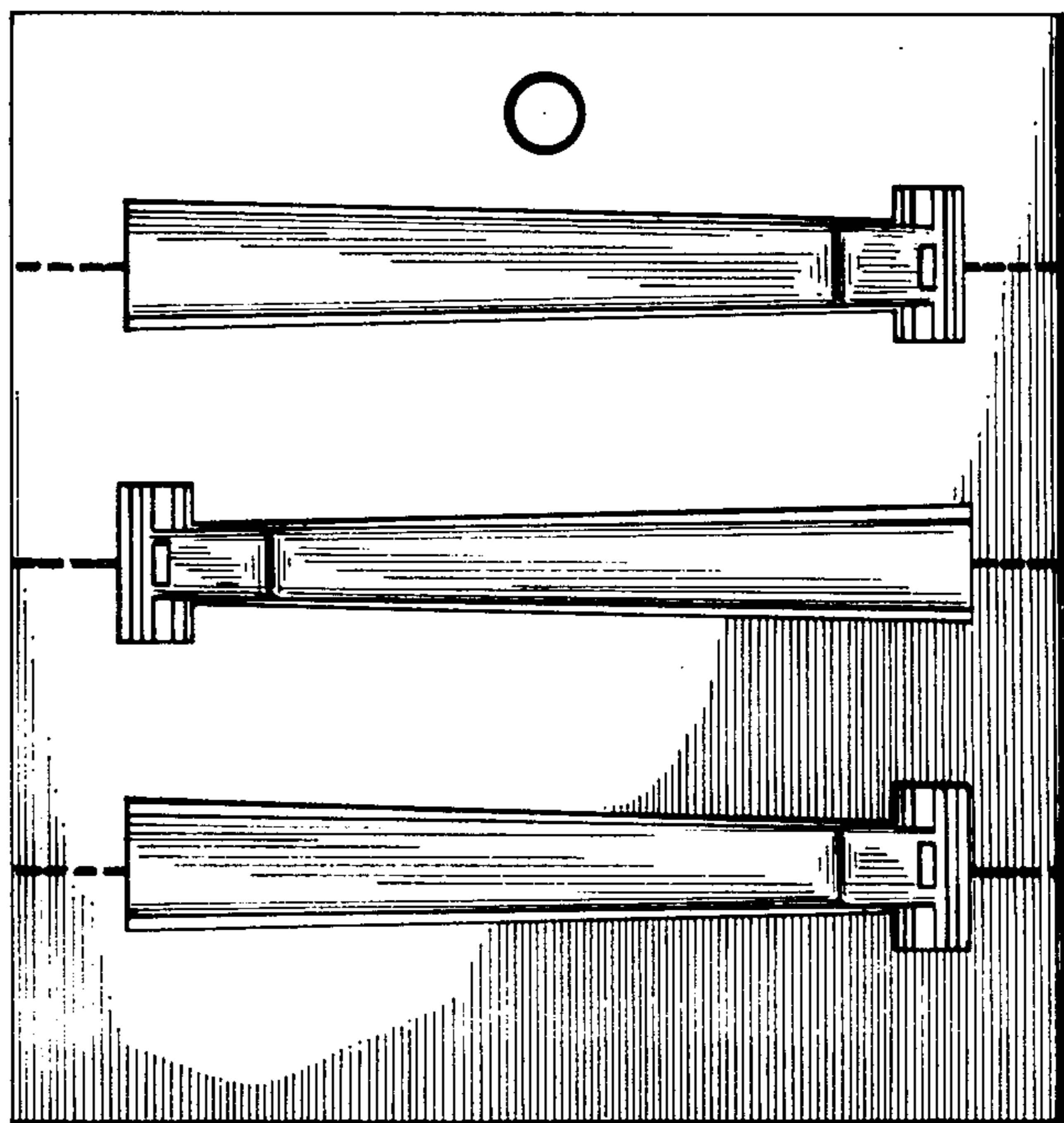


Fig. 2



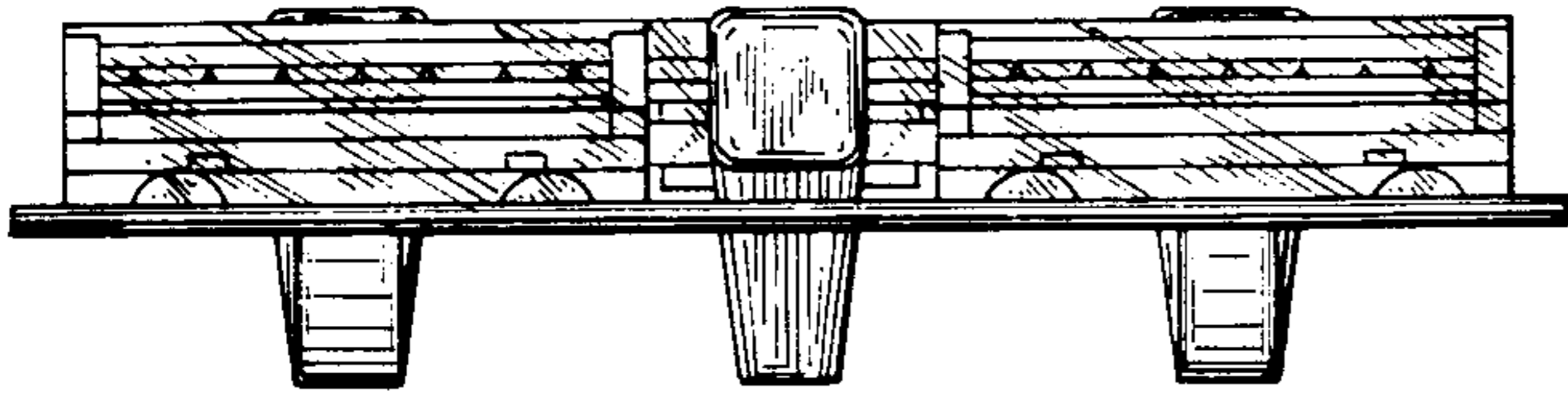


Fig. 3

Fig. 4

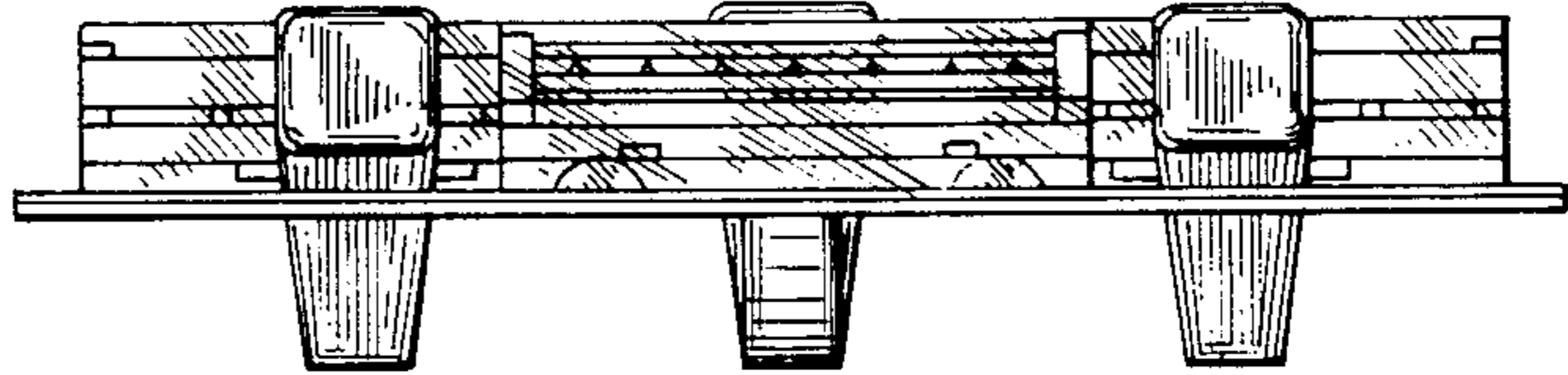


Fig. 5

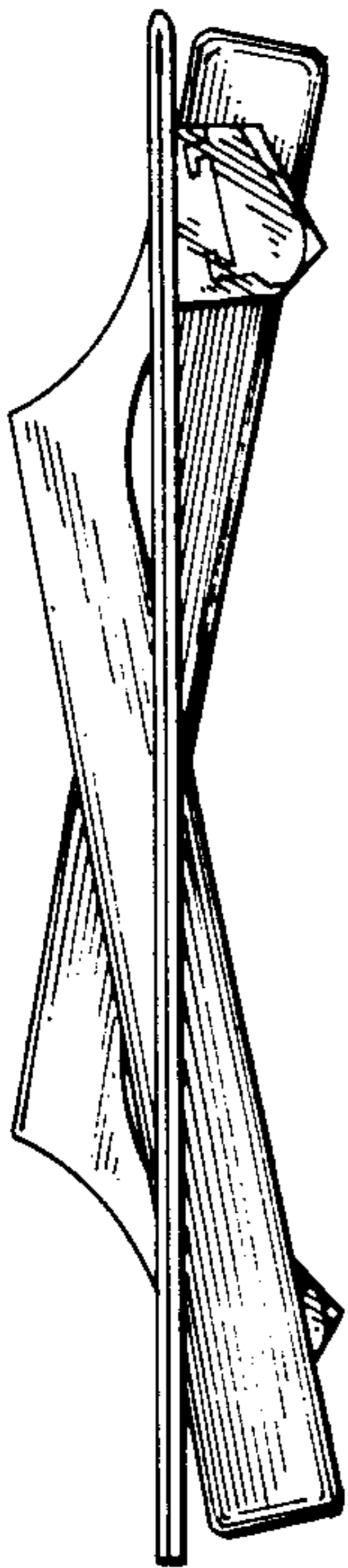


Fig. 6

