

[54] **COMBINED PARTING BEAD EXTENDER AND WEATHER STRIP CONNECTOR FOR WINDOW INSTALLATIONS**

[75] Inventor: **Barry M. Jones, Berwyn, Pa.**

[73] Assignee: **Q. C. Glide Company, Sharon Hill, Pa.**

[**] Term: **14 Years**

[21] Appl. No.: **905,421**

[22] Filed: **May 11, 1978**

[51] Int. Cl. **D8-08**

[52] U.S. Cl. **D8/400; D8/394; D8/402; D25/52; D25/98**

[58] Field of Search **D8/354, 366, 371, 373, D8/382, 349, 400, 402; D25/47, 48, 73, 74, 98; 16/90, 94 R, 220**

[56] **References Cited**

U.S. PATENT DOCUMENTS

D. 142,540 10/1945 White **D8/366**

D. 232,518	8/1974	McCoy	D8/371
670,595	3/1901	O'Shea	16/220
1,171,276	2/1916	Summers	16/220
2,511,546	6/1950	Schwering	16/220
3,831,338	8/1974	Klingensmith et al.	D25/74 X
4,074,486	2/1978	Grearson	D8/366 X

Primary Examiner—A. Hugo Word
Attorney, Agent, or Firm—Samuel Scrivener, Jr.

[57] **CLAIM**

The ornamental design for a combined parting bead extender and weather strip connector for window installations, as shown.

DESCRIPTION

FIG. 1 is a perspective view of the combined parting bead extender and weather strip connector for window installations embodying my new design; FIG. 2 is a front elevational view of said connector; FIG. 3 is a left side elevational view of said connector, the right side elevational view being a mirror image; FIG. 4 is a top plan view of said connector; FIG. 5 is a bottom plan view of said connector; and, FIG. 6 is a rear elevational view of said connector.

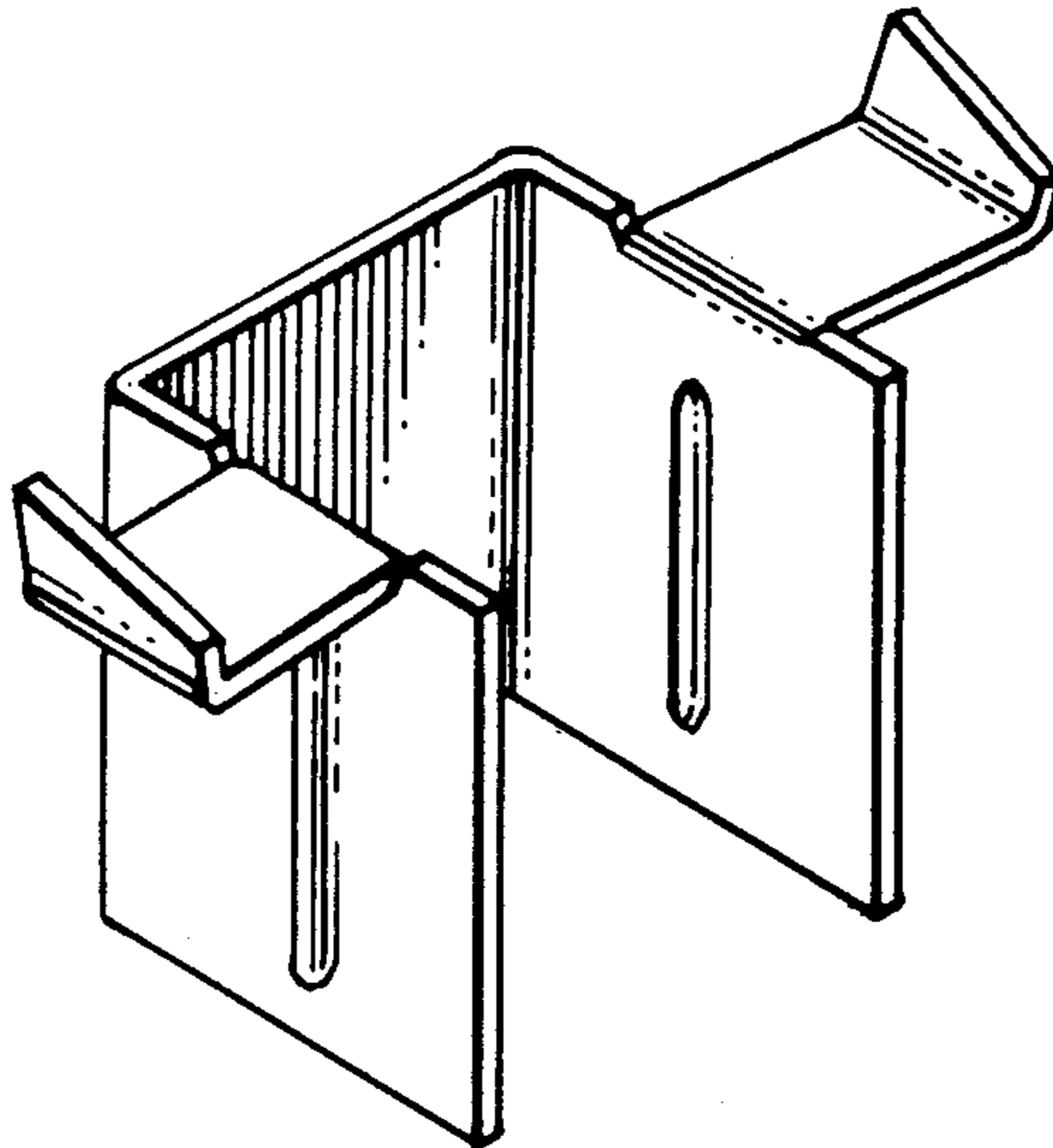


FIG. 1.

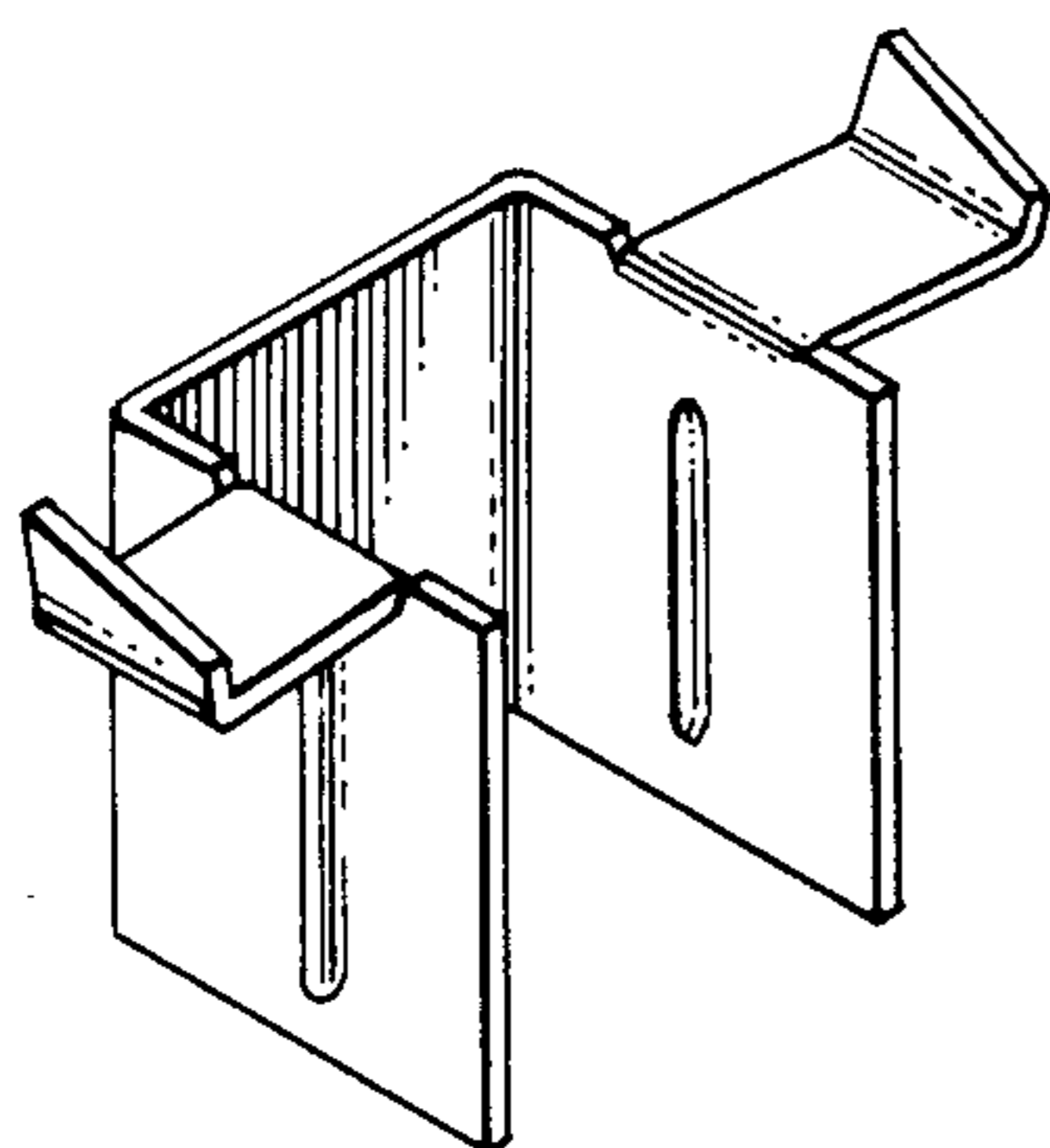


FIG. 2.

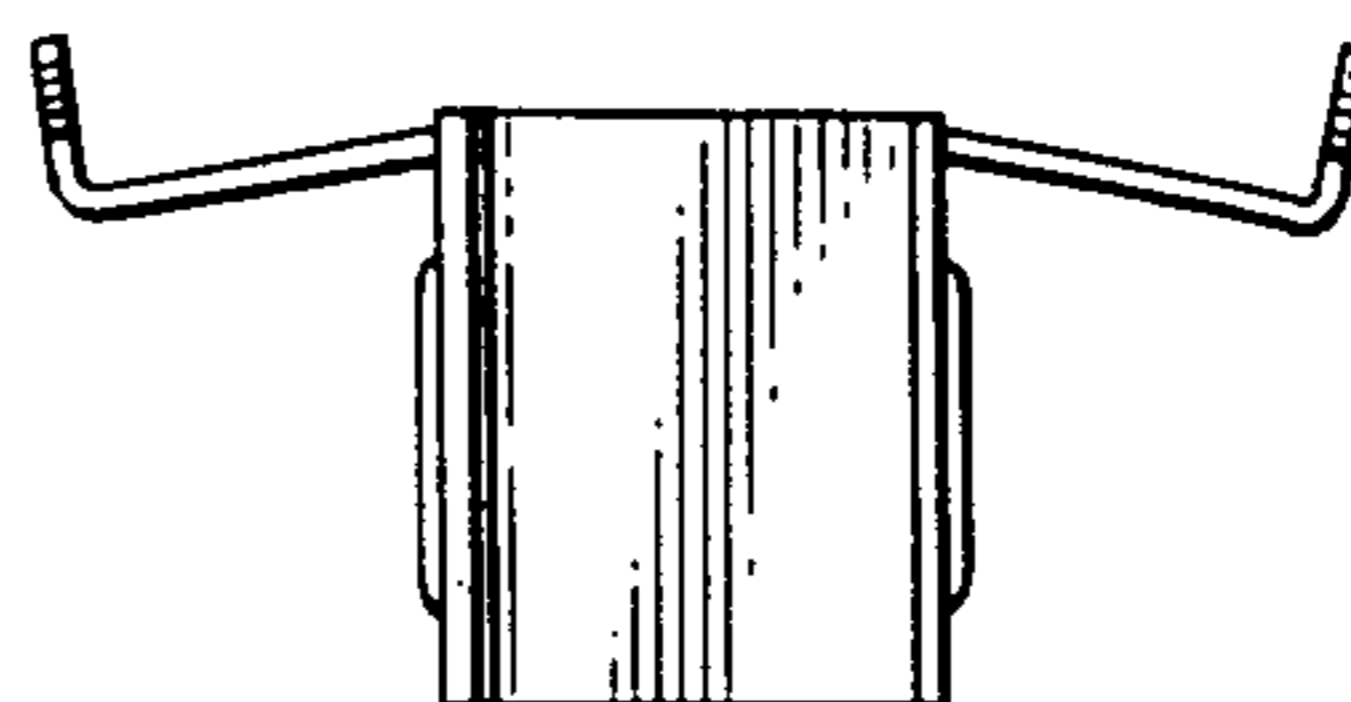


FIG. 3.

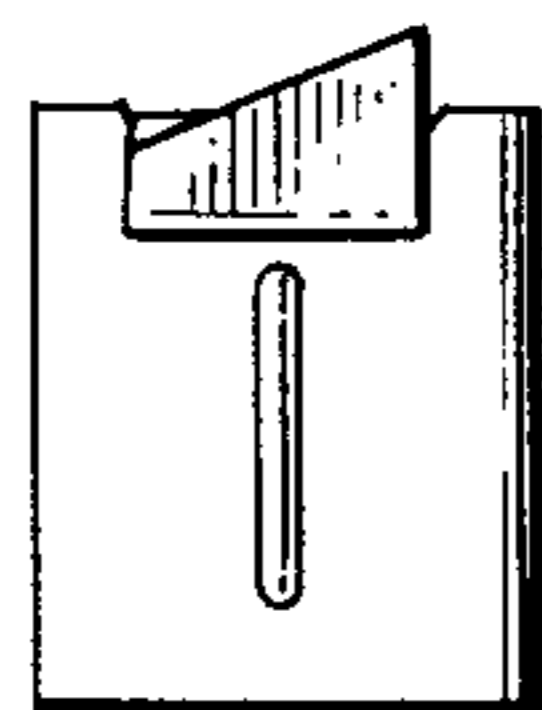


FIG. 4.

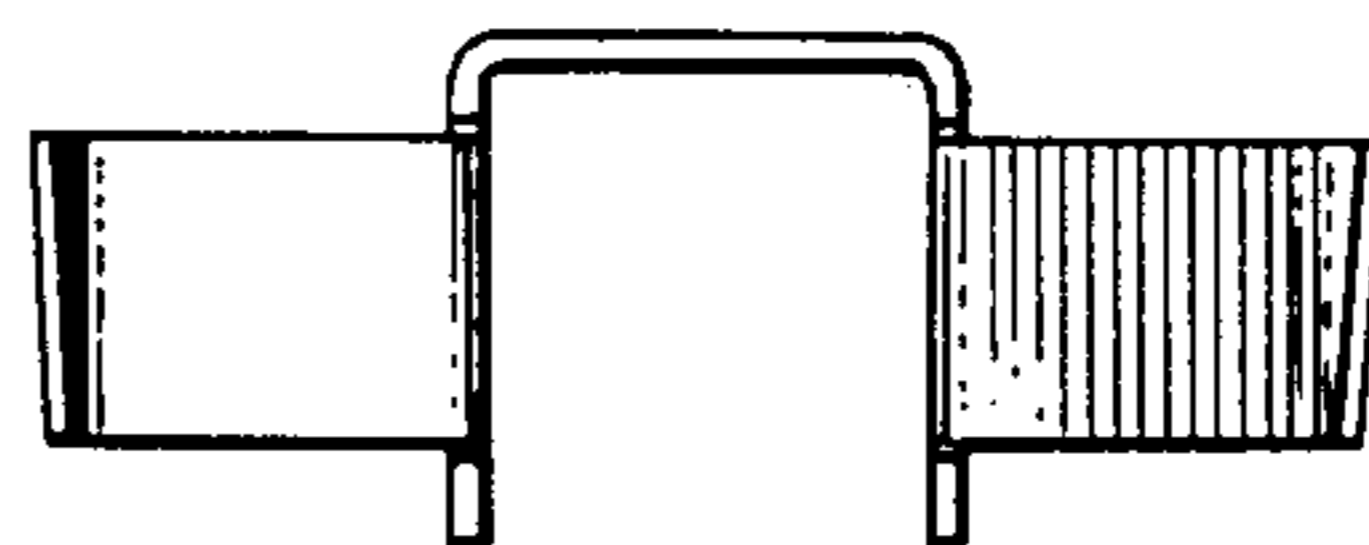


FIG. 5.

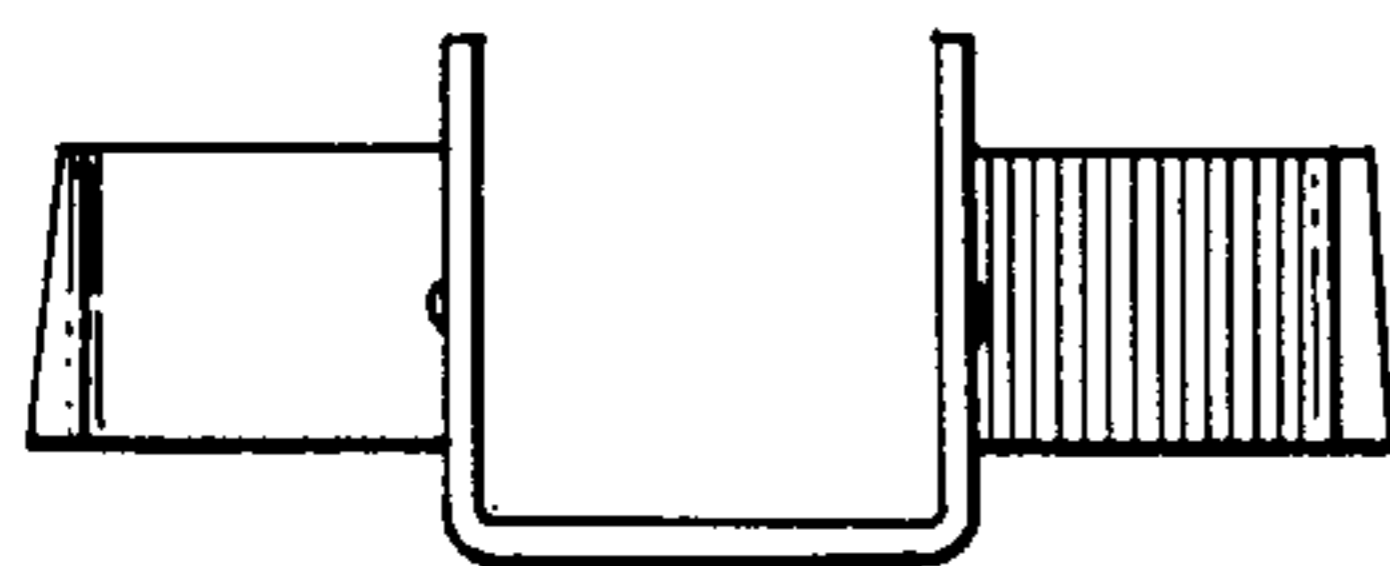


FIG. 6.

