

[54] HALYARD STOPPER

[75] Inventor: Carl A. Merry, Marion, Mass.

[73] Assignee: Schaefer Marine, Inc., New Bedford, Mass.

[**] Term: 14 Years

[21] Appl. No.: 885,790

[22] Filed: Mar. 13, 1978

[51] Int. Cl. D8-08

[52] U.S. Cl. D8/383; 114/199;
114/200

[58] Field of Search 114/199, 200, 218, 112,
114/204; D8/383; D12/70

[56]

References Cited

PUBLICATIONS

AIM/RWO Marine Equipment, Ltd. Catalog, p. 22.

Primary Examiner—W. Stallard

Attorney, Agent, or Firm—Robert A. Cesari

[57]

CLAIM

The ornamental design for a halyard stopper, substantially as shown.

DESCRIPTION

FIG. 1 is a perspective view of a halyard stopper embodying the ornamental features of my new design;

FIG. 2 is a top view thereof;

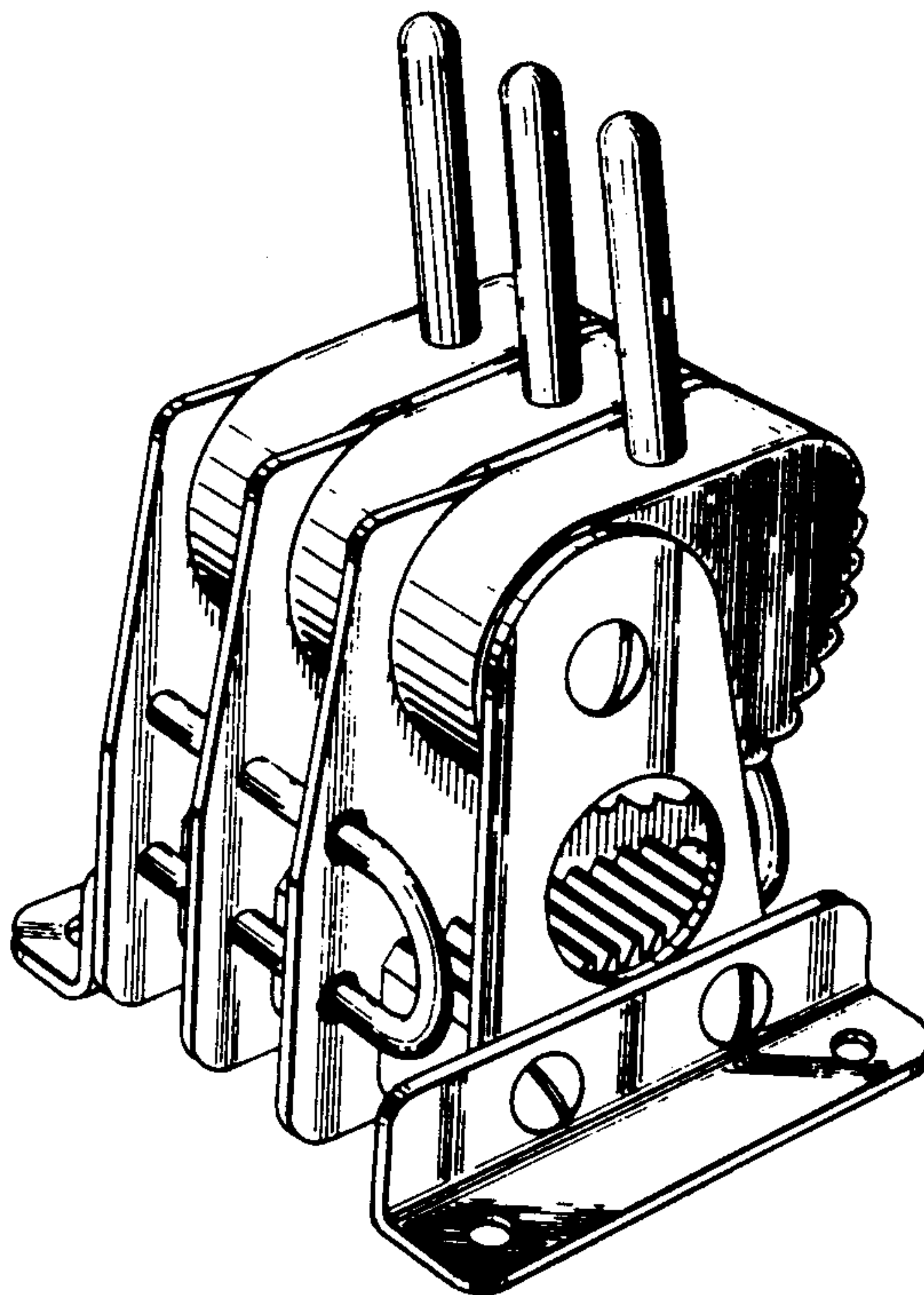
FIG. 3 is a view of one side thereof;

FIG. 4 is a view of the opposite side thereof;

FIG. 5 is a front view thereof;

FIG. 6 is a rear view thereof; and

FIG. 7 is a bottom view thereof.



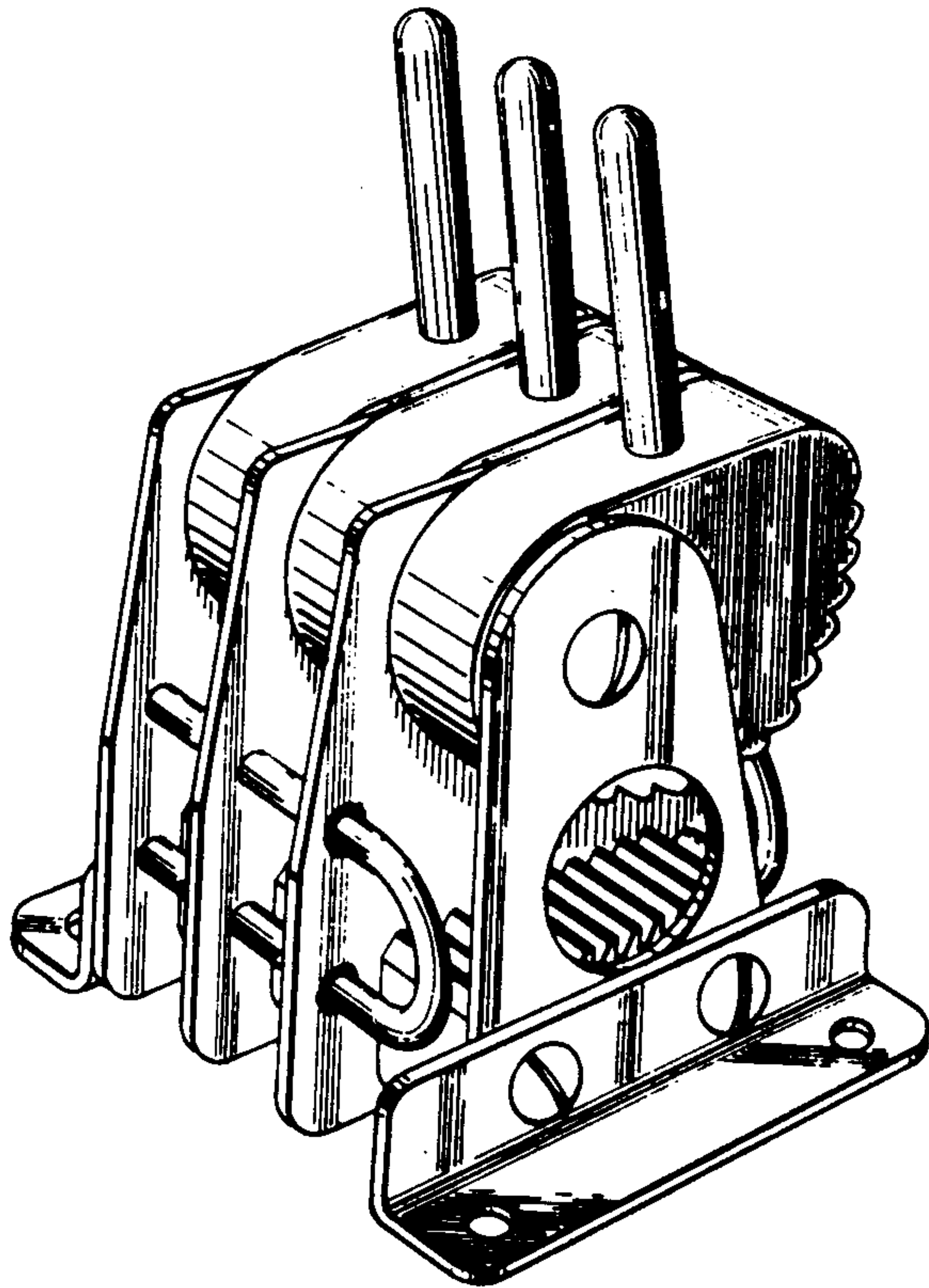


FIG. 1

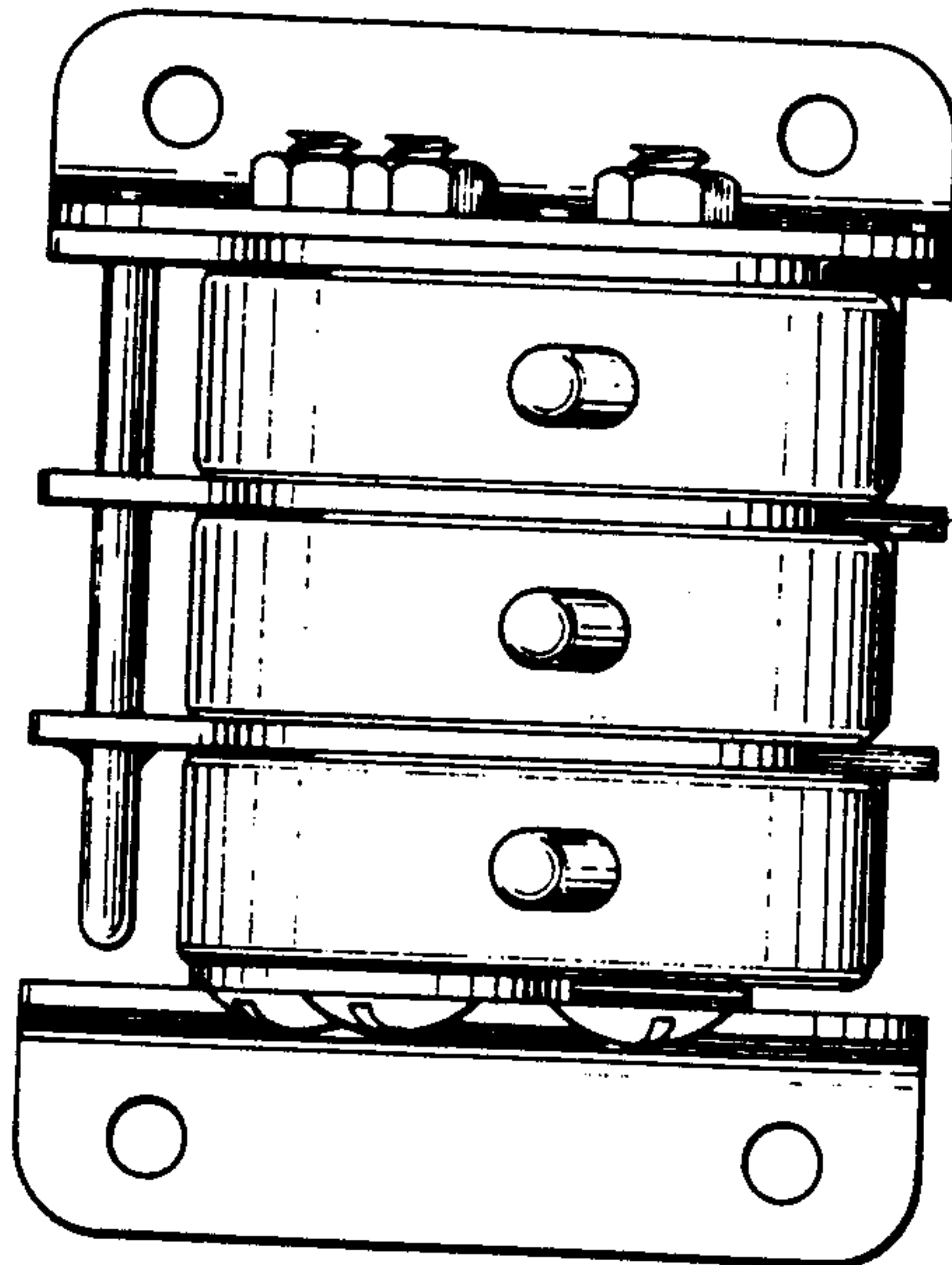


FIG. 2

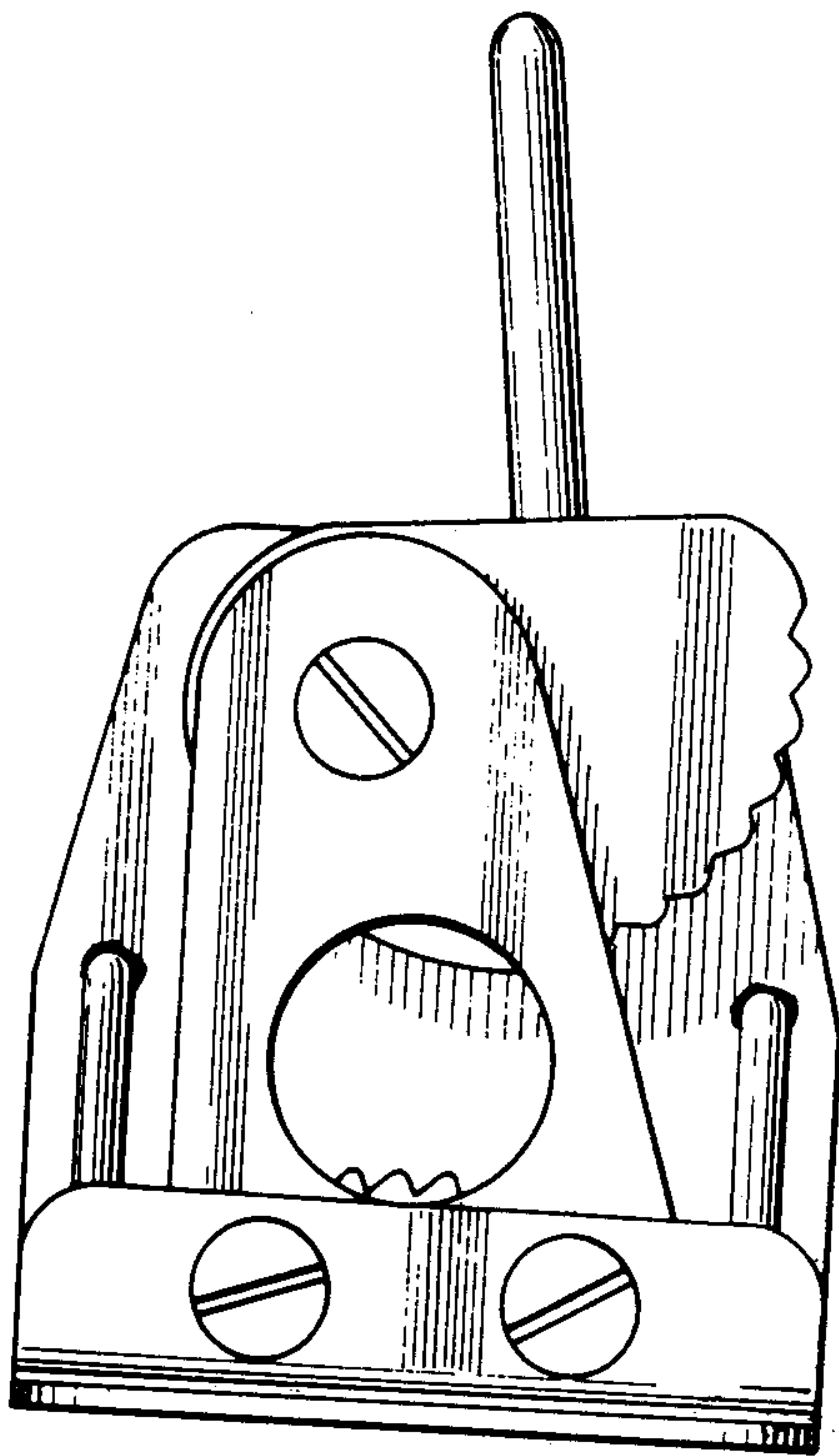


FIG. 3

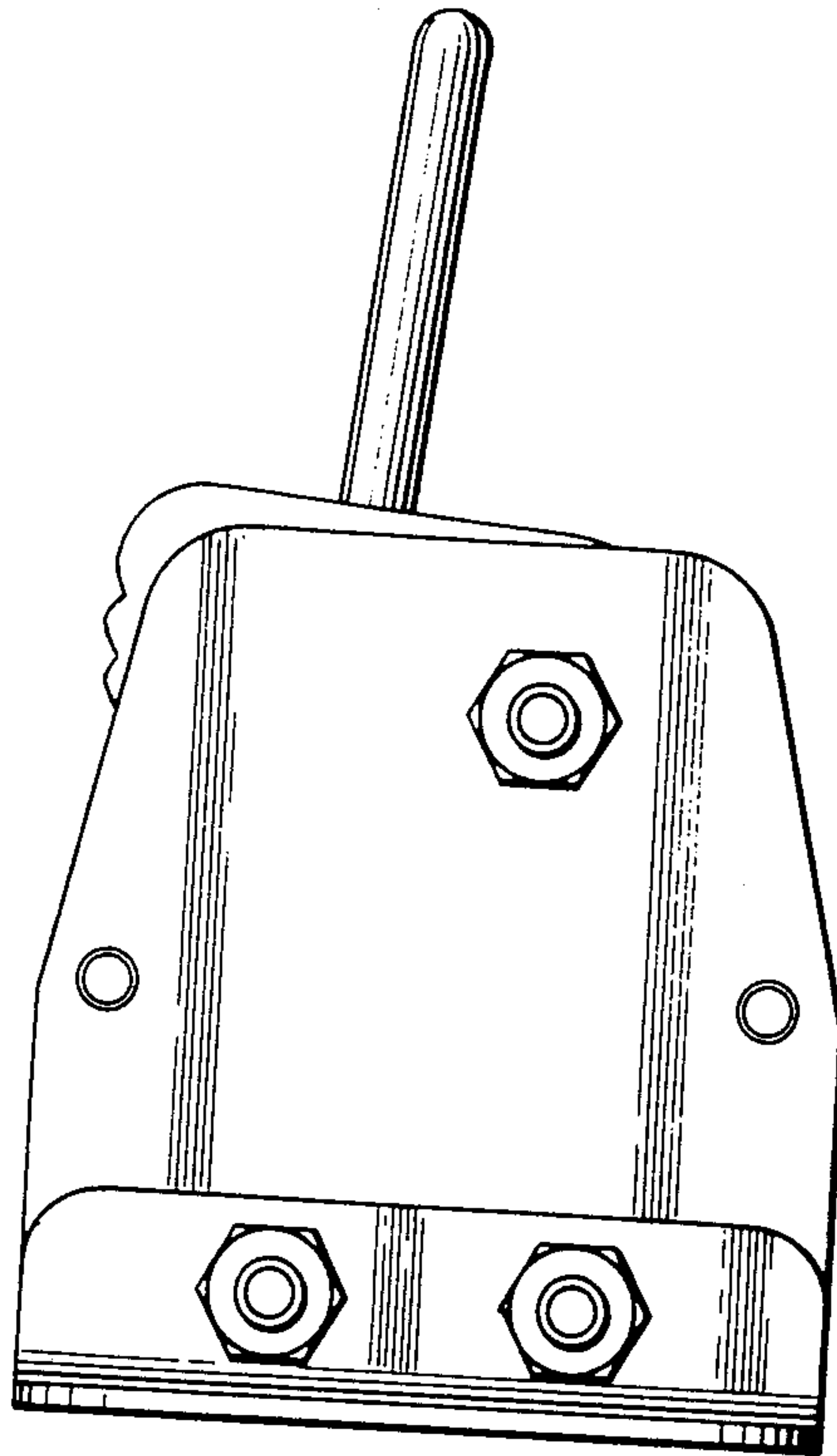


FIG. 4

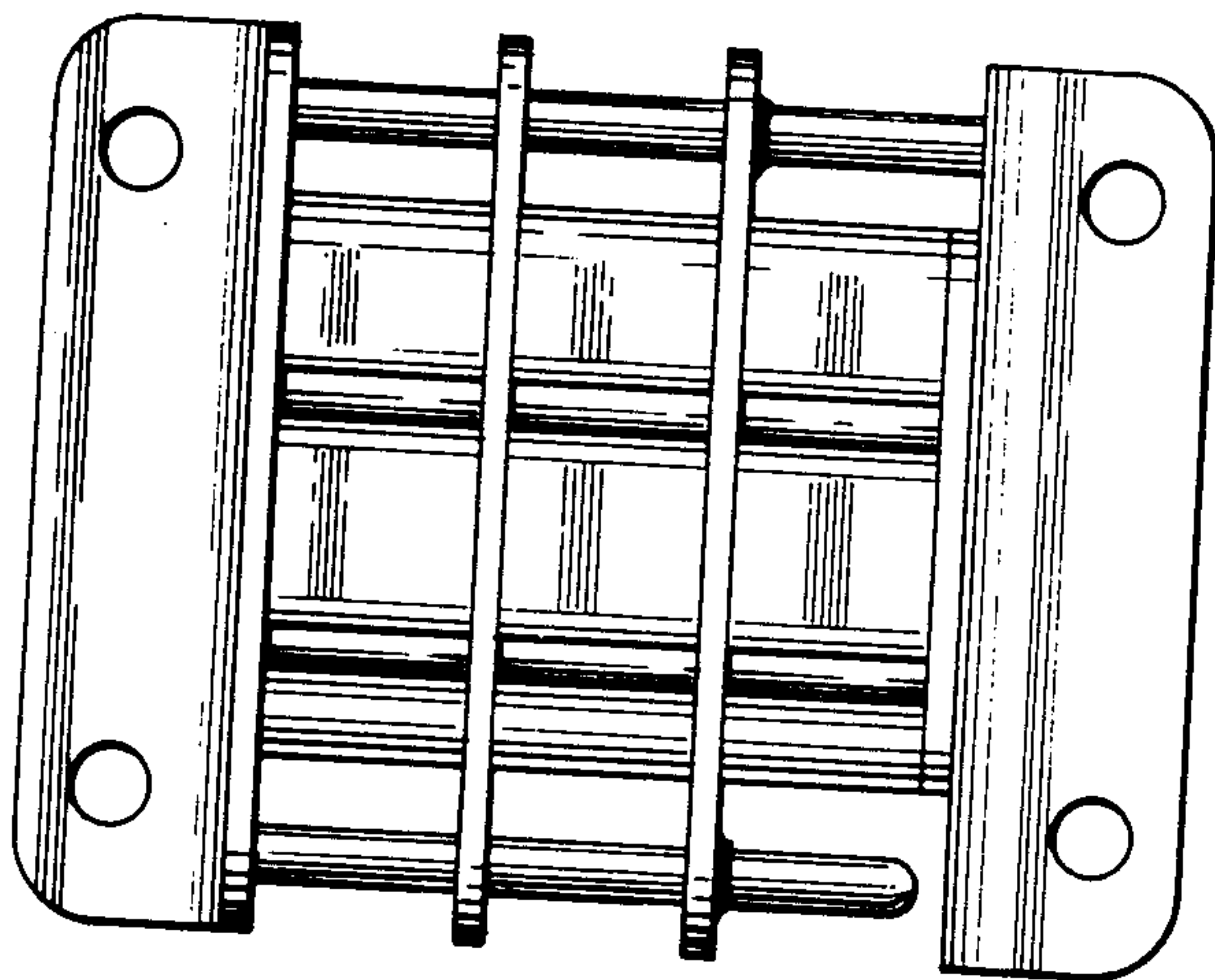


FIG. 5

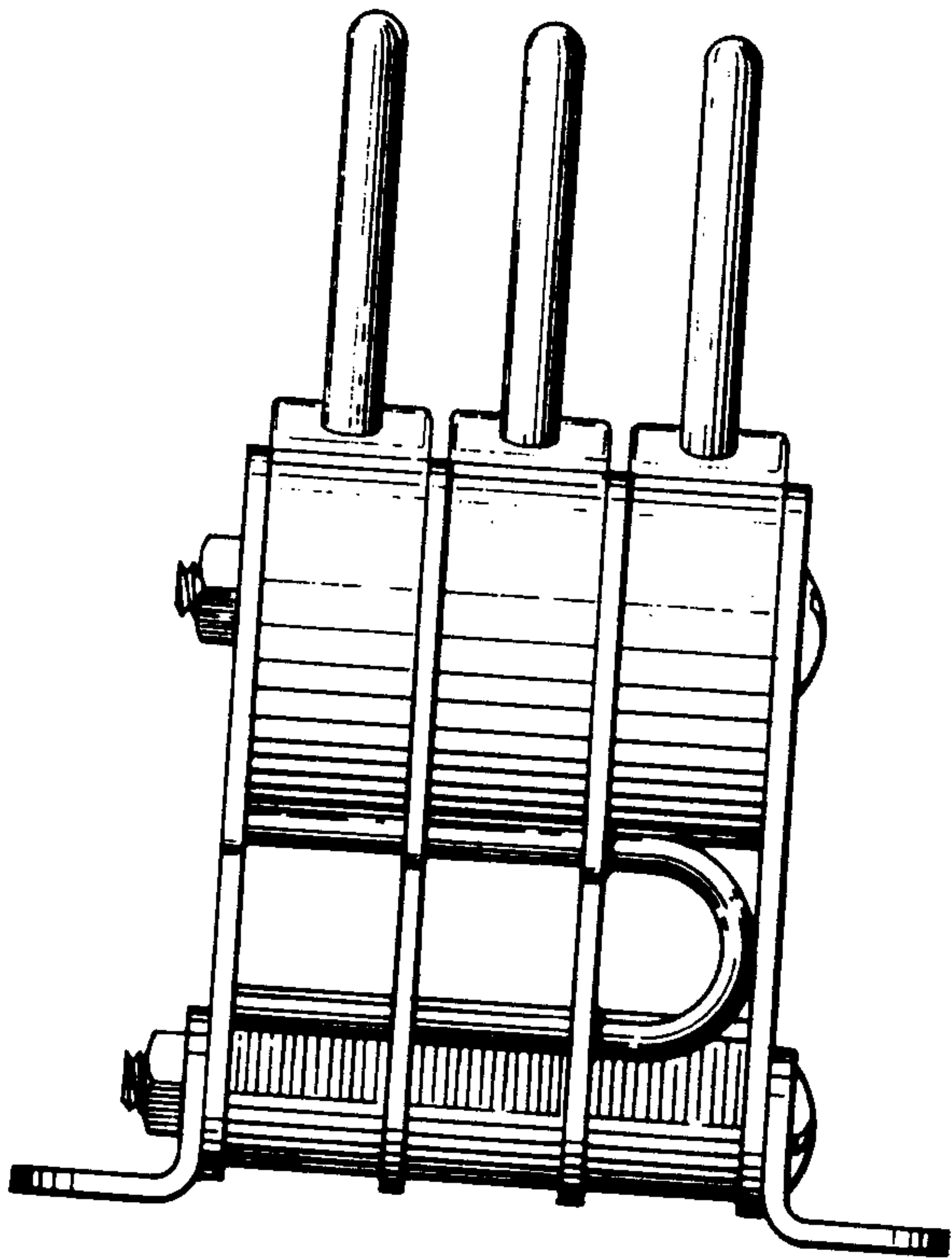


FIG. 6

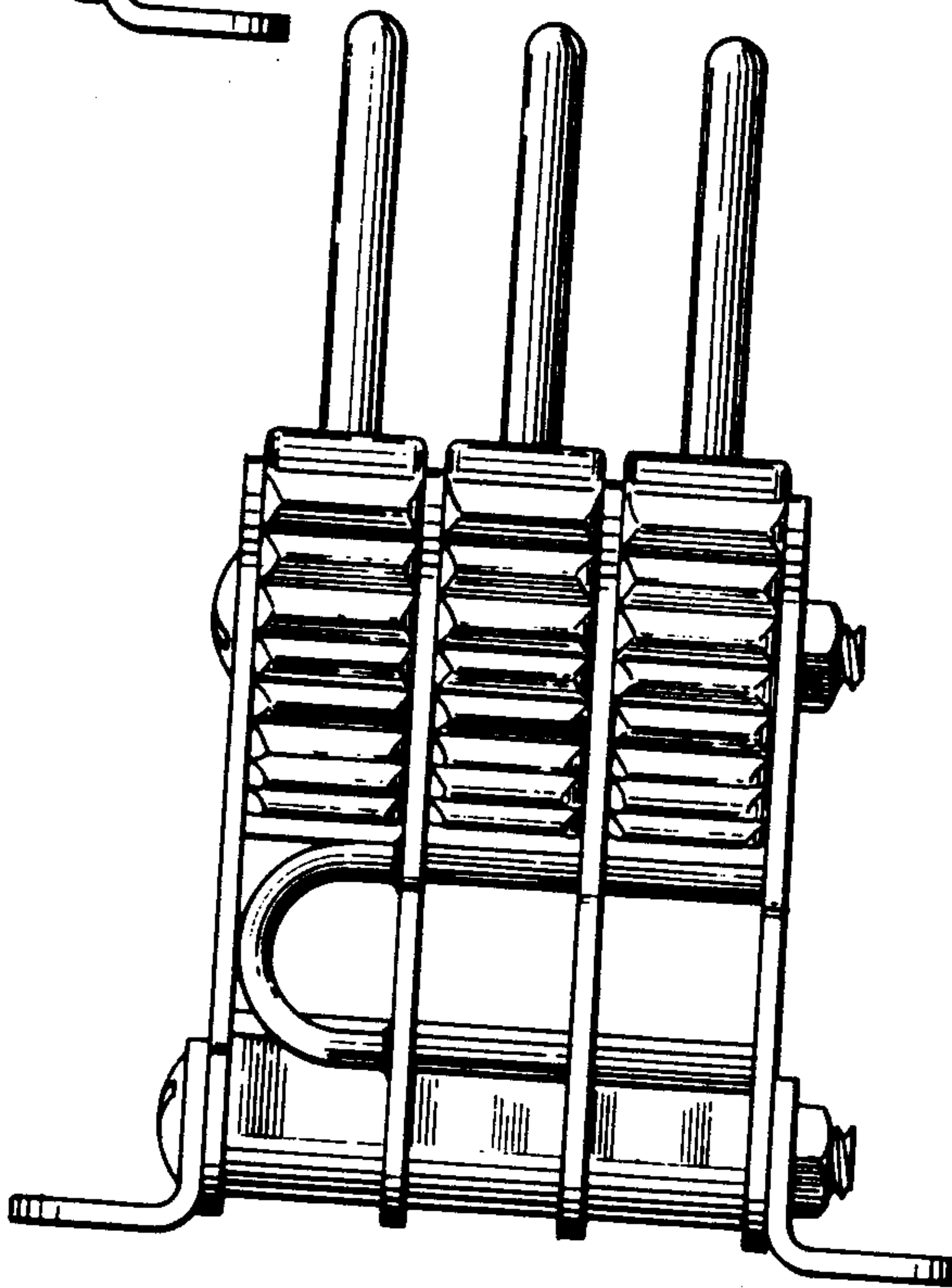


FIG. 7