

[54] JAR OPENER

[76] Inventor: **Marcello Zorzi**, 287 Glidden Rd., Unit 13, Brampton, Ontario, Canada, L6W 1H9

[**] Term: **14 Years**

[21] Appl. No.: **905,115**

[22] Filed: **May 11, 1978**

[51] Int. Cl. **D07-06**

[52] U.S. Cl. **D8/18; D8/37**

[58] Field of Search **D8/18, 33, 34, 37, 38, D8/40, 41, 43; 81/3.3 A, 3.4**

[56] **References Cited**

U.S. PATENT DOCUMENTS

2,031,420 2/1936 Leberz 81/3.4

3,143,904 8/1964 Yerkes 81/3.4
3,760,657 9/1973 Muir et al. 81/3.4

FOREIGN PATENT DOCUMENTS

772929 4/1957 United Kingdom 81/3.4

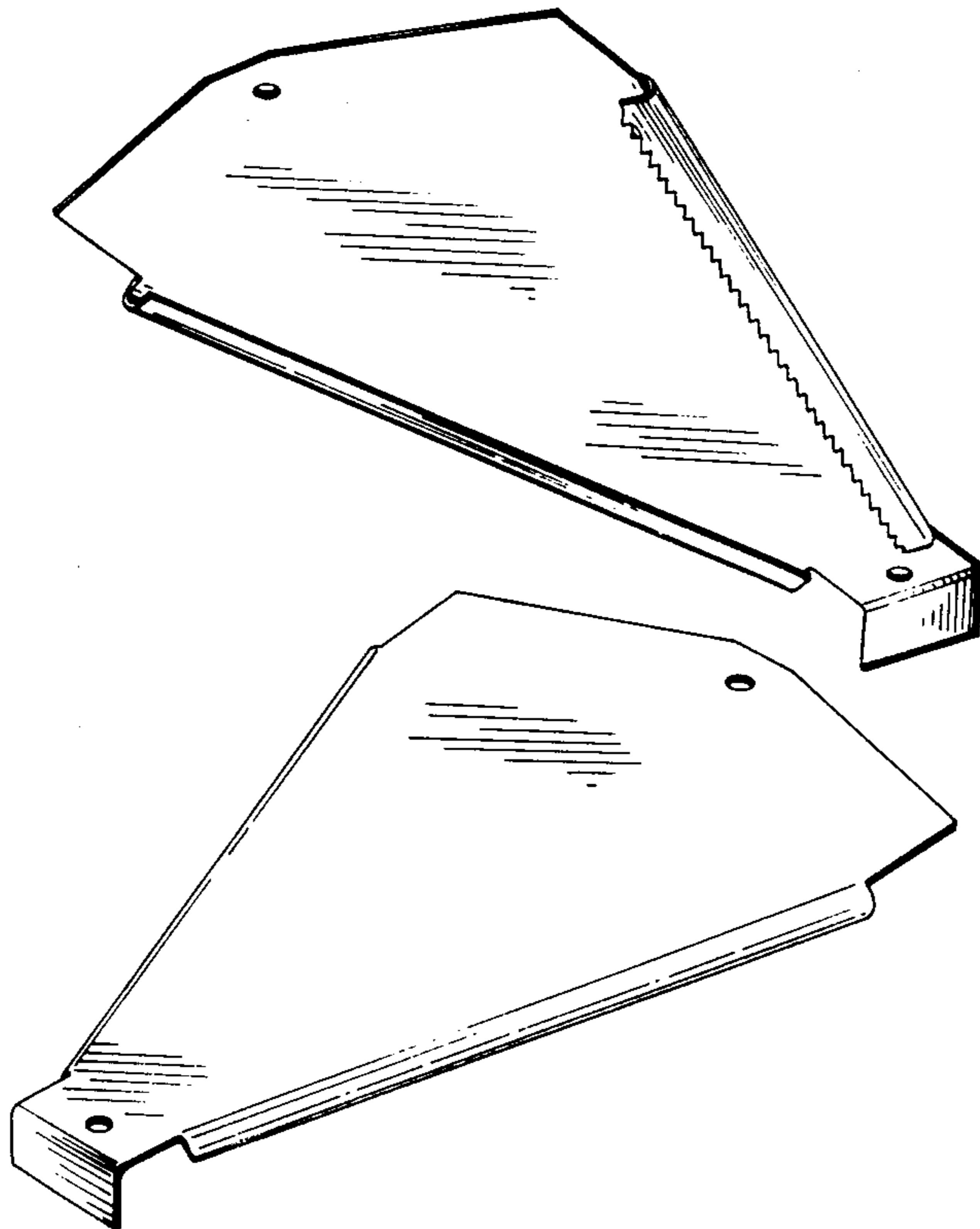
Primary Examiner—Joel Stearman
Assistant Examiner—Carmen H. Vales
Attorney, Agent, or Firm—Donald E. Hewson

[57] **CLAIM**

The ornamental design for a jar opener, as shown and described.

DESCRIPTION

FIG. 1 is a bottom perspective view of a jar opener showing my new design;
FIG. 2 is a top perspective view thereof; and
FIG. 3 is a bottom plan view thereof.



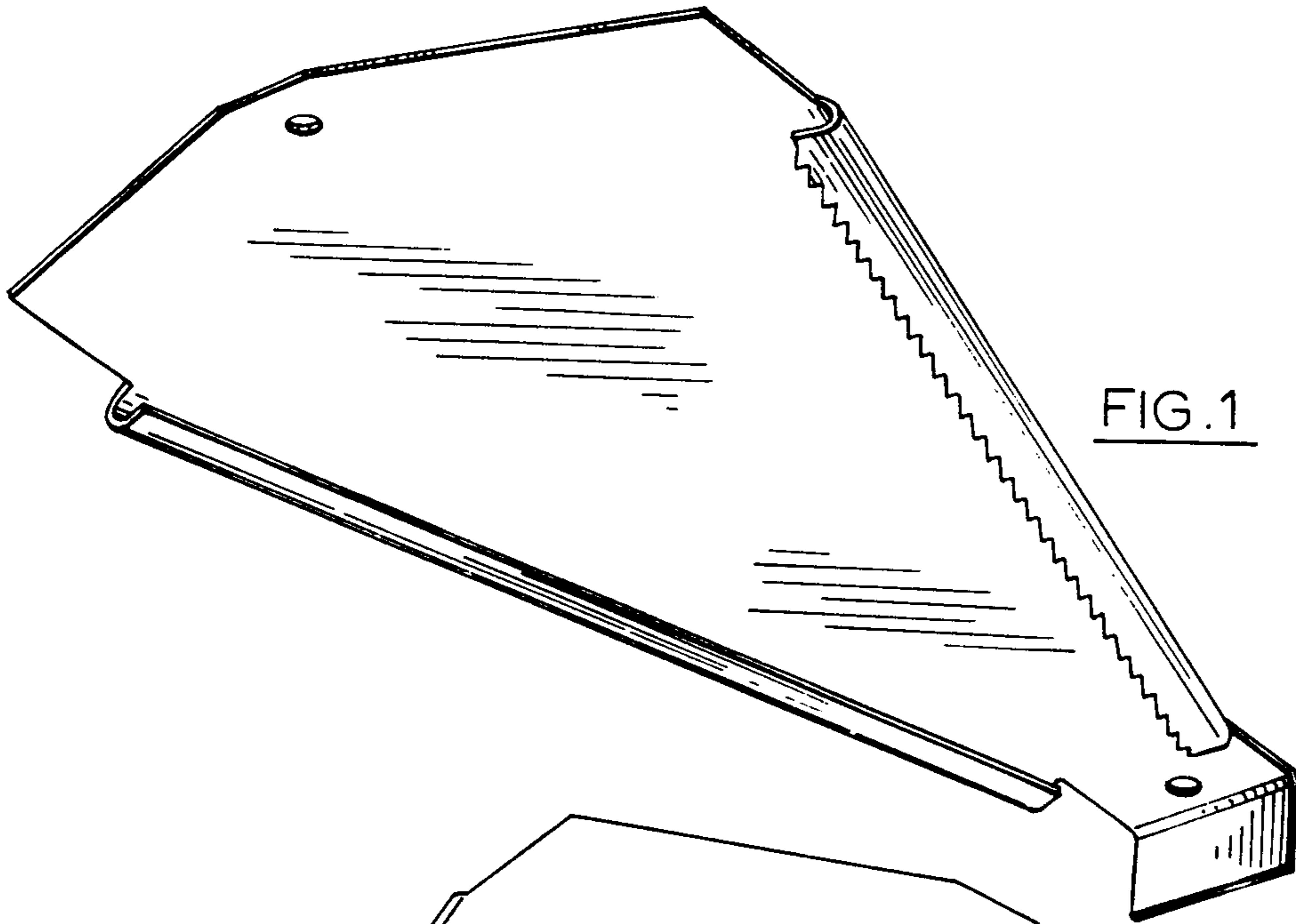


FIG. 1

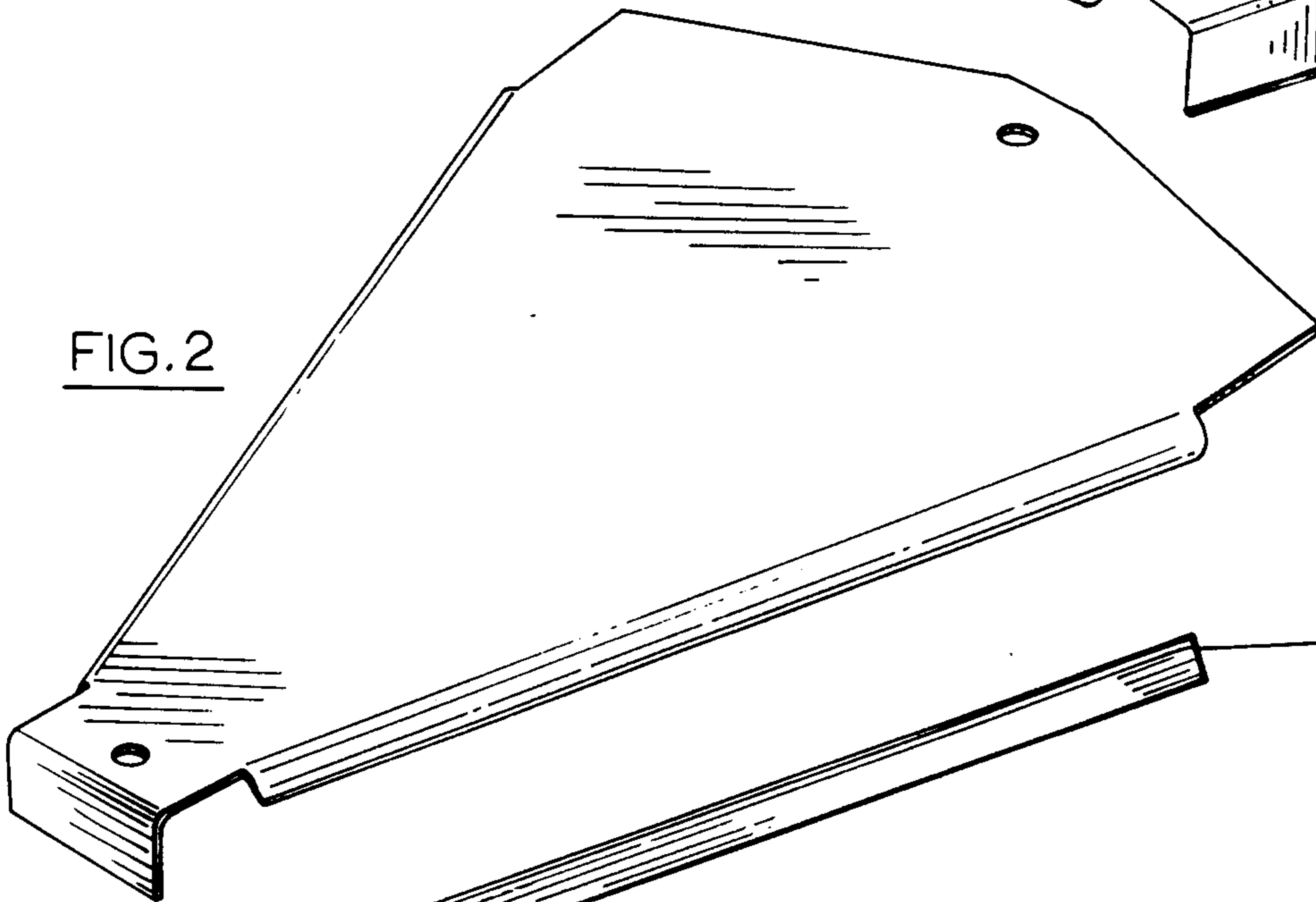


FIG. 2

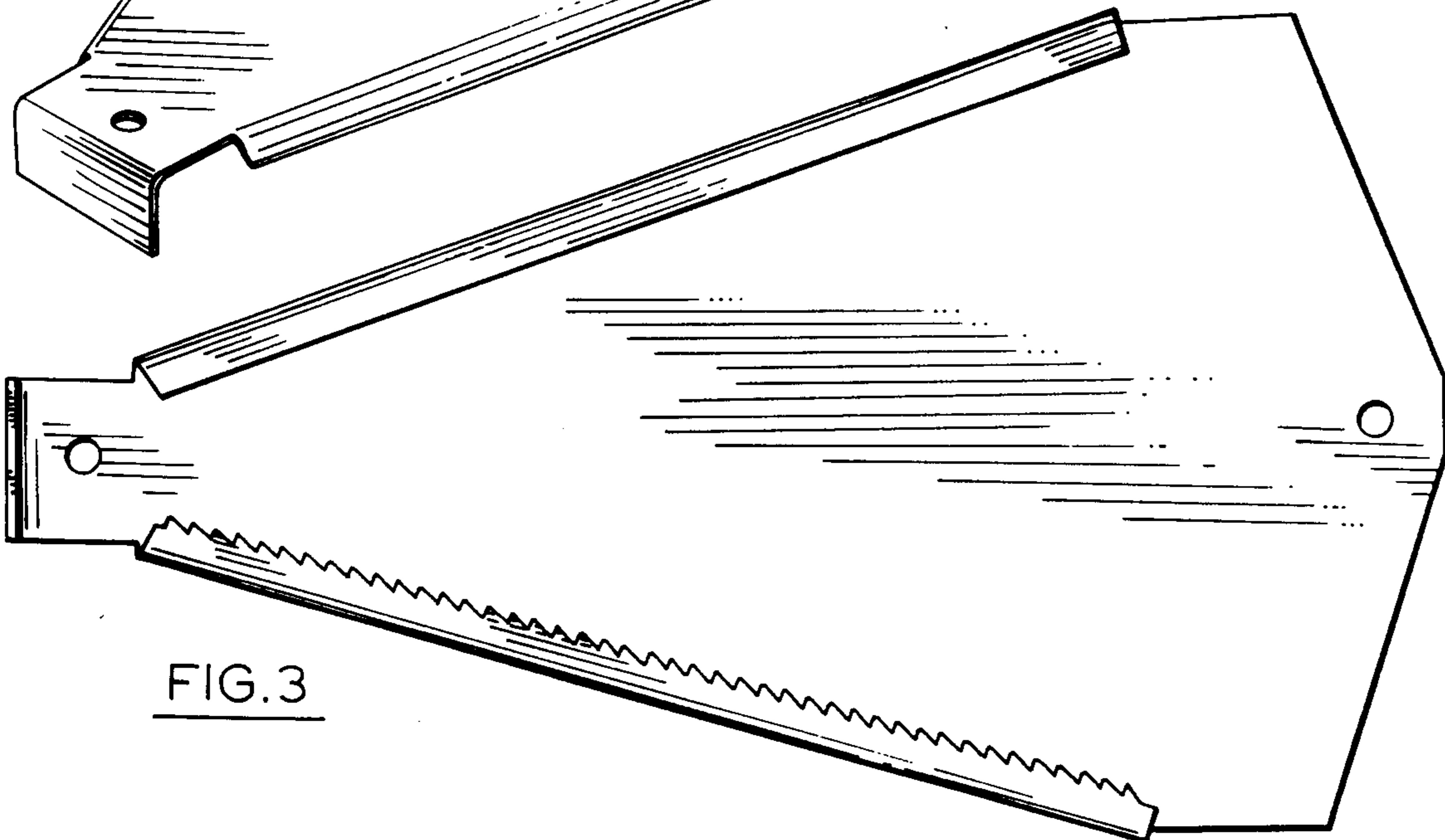


FIG. 3