

[54] TEA POT

[75] Inventors: David L. Painter, Glenview, Ill.;
Robert C. Zinkgraf, West Bend, Wis.

[73] Assignee: Dart Industries Inc., Los Angeles,
Calif.

[**] Term: 14 Years

[21] Appl. No.: 18,804

[22] Filed: Mar. 8, 1979

[51] Int. Cl. D07-01

[52] U.S. Cl. D7/65

[58] Field of Search D7/59-67,
D7/3, 58

[56] References Cited

U.S. PATENT DOCUMENTS

D. 40,396	12/1909	Jacobs	D7/65
D. 97,920	12/1935	Cowan	D7/65
D. 214,076	5/1969	Gillespie	D7/65
D. 248,205	6/1978	Schreckengost	D7/64

OTHER PUBLICATIONS

Kitchen Bazaar, Gourmet Cat., p. 17, Gary Valenti
"Moka Espresso", top left item.

Wedgwood & Sons Ltd., Plate 90, Pattern Y-967 Octa-
gon, Hexagon Shapes, Covered Coffee Pot #16, top
panel.

Primary Examiner—Winifred E. Herrmann
Attorney, Agent, or Firm—Kenneth J. Hovet

[57] CLAIM

The ornamental design for a tea pot, substantially as
shown.

DESCRIPTION

FIG. 1 is a perspective view of a tea pot showing our
new design;

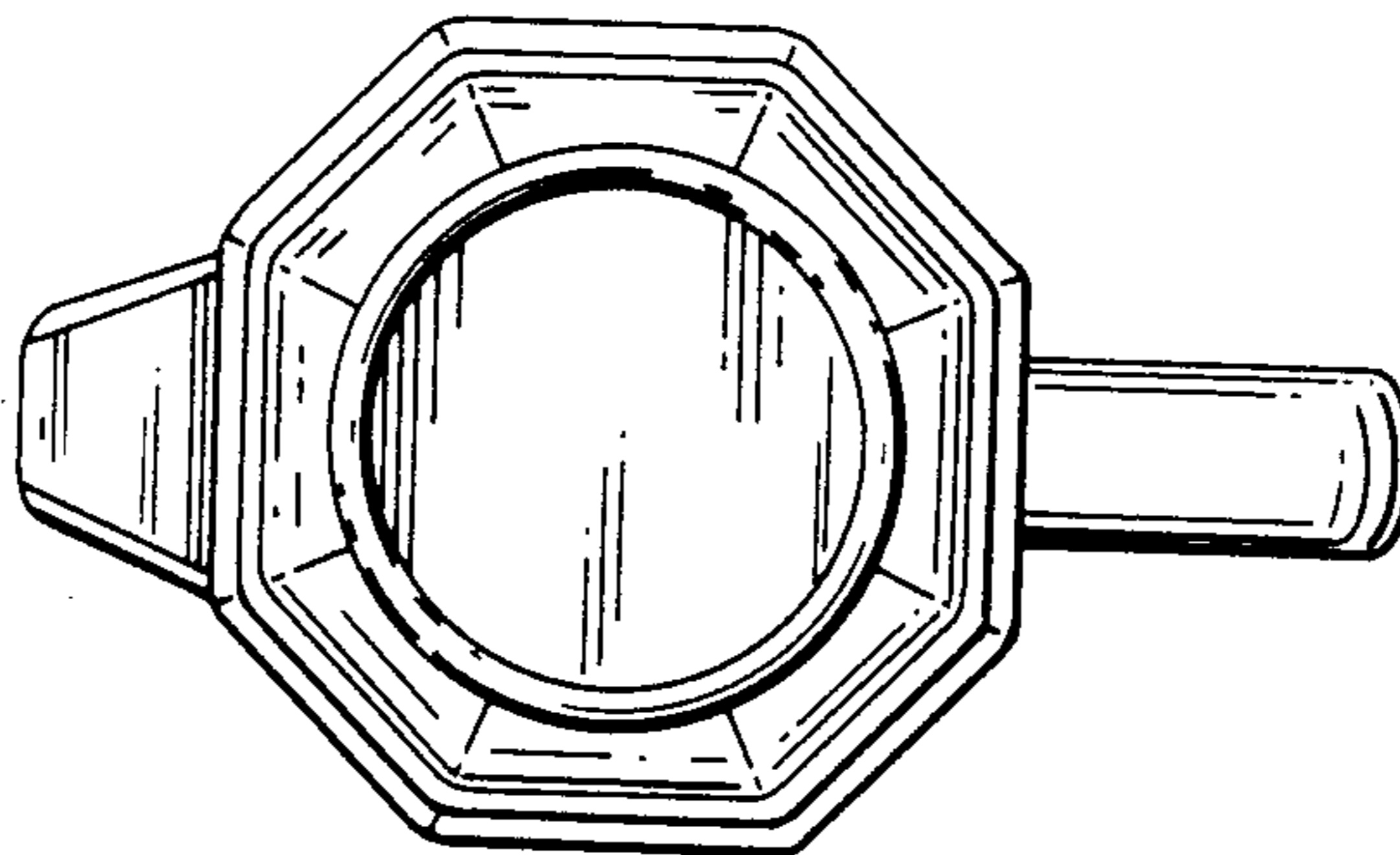
FIG. 2 is a side elevational view;

FIG. 3 is a front elevational view;

FIG. 4 is a top plan view;

FIG. 5 is a bottom plan view; and,

FIG. 6 is a rear elevational view.



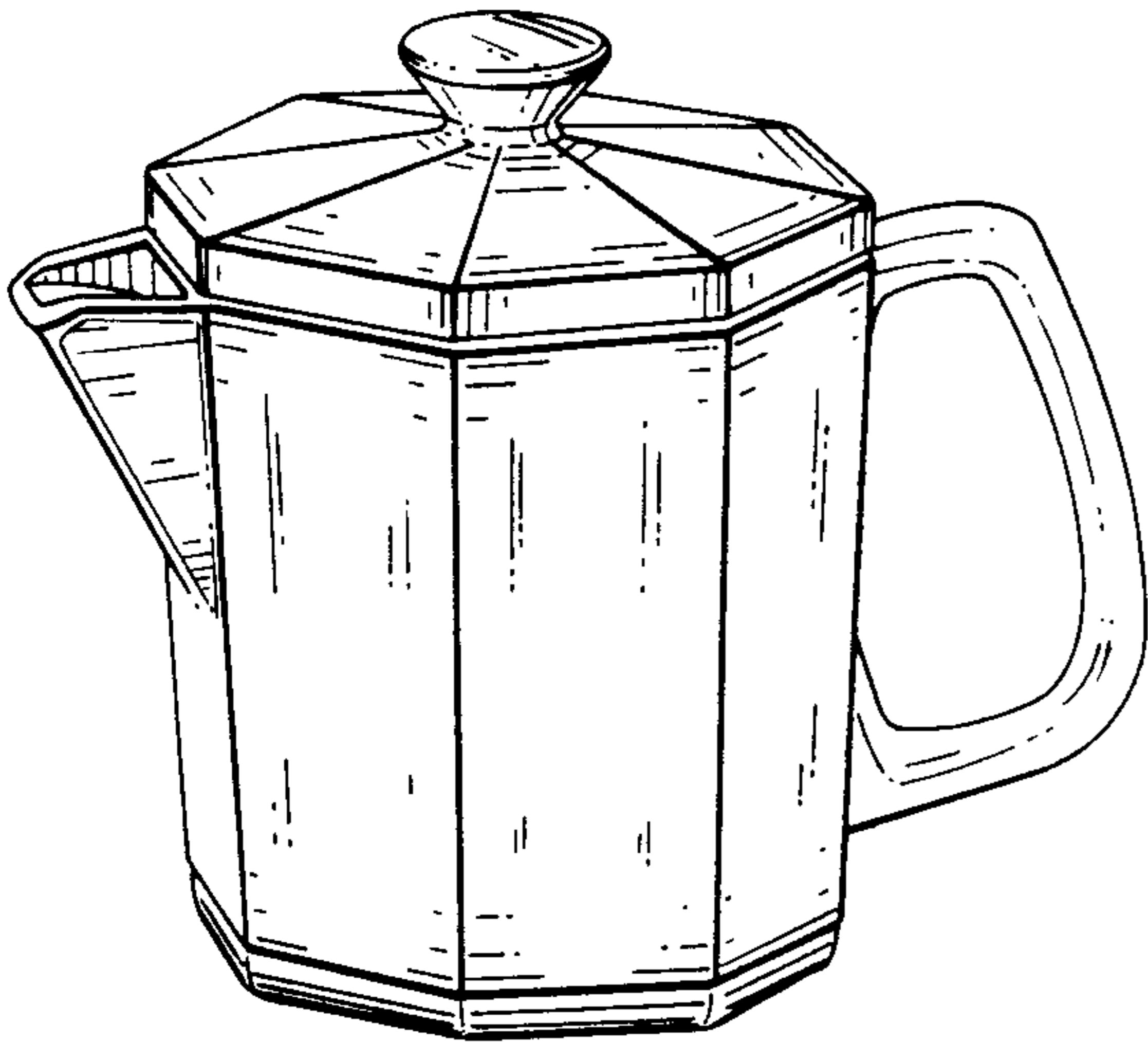


FIG.1

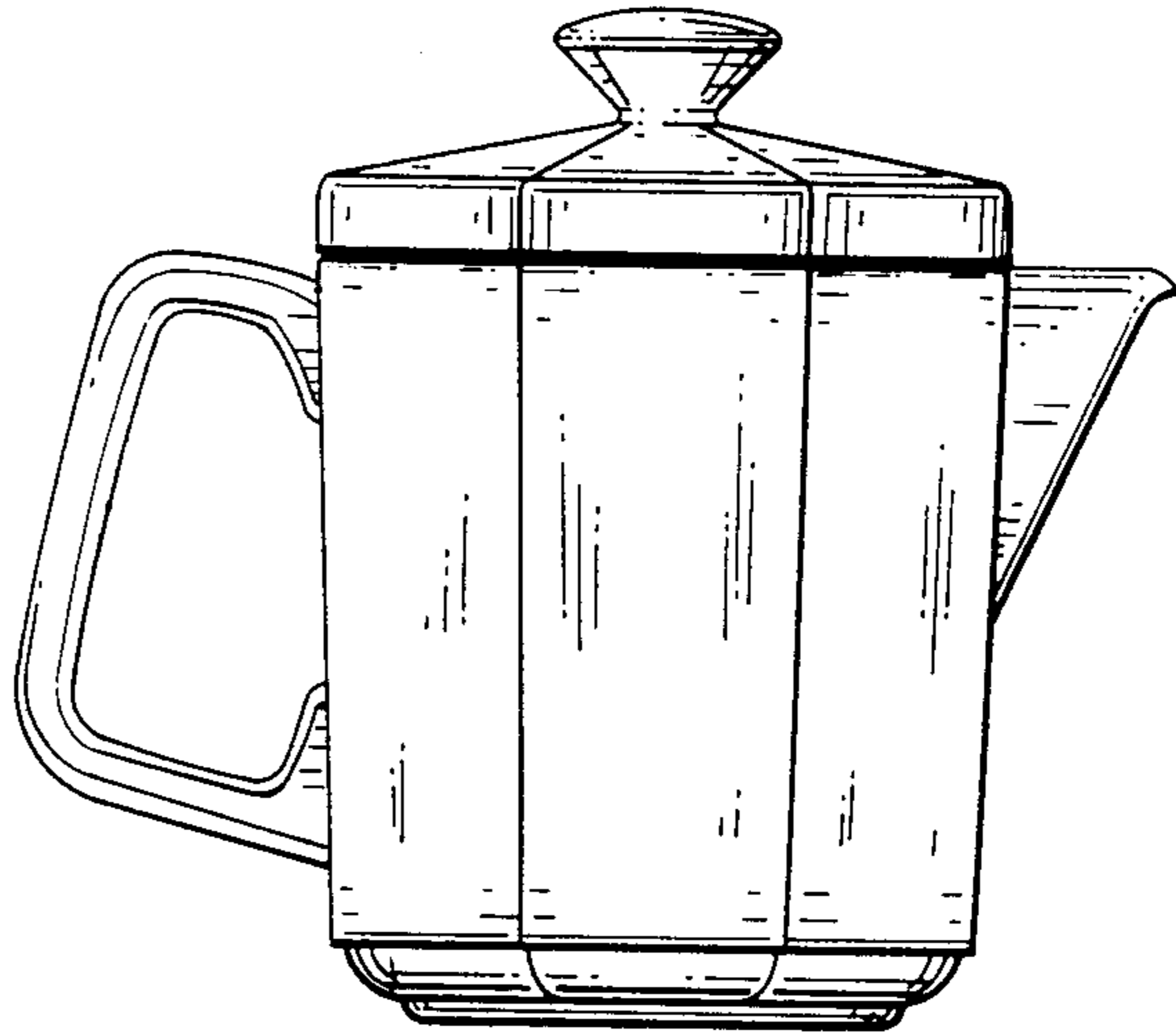


FIG.2

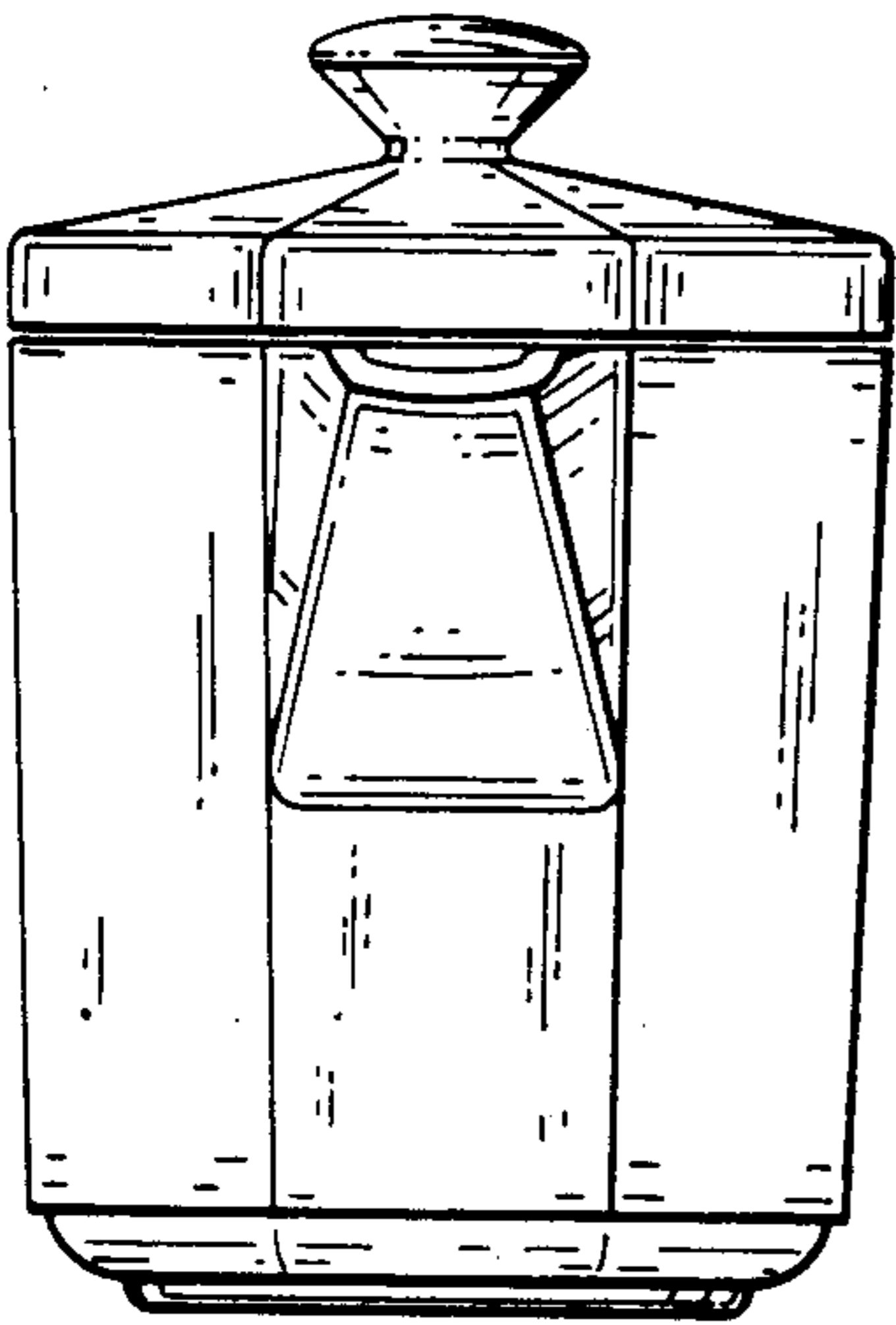


FIG.3

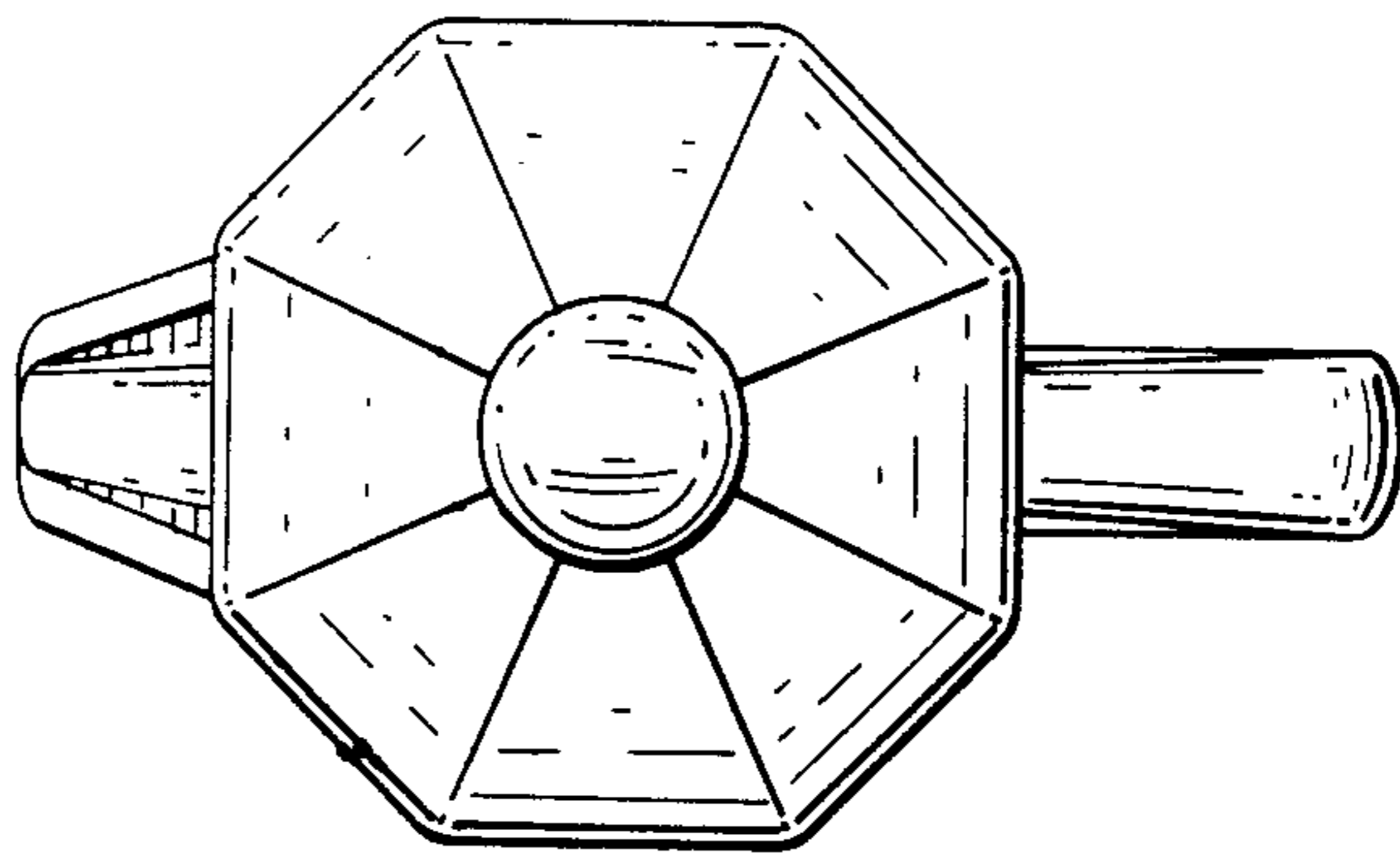


FIG.4

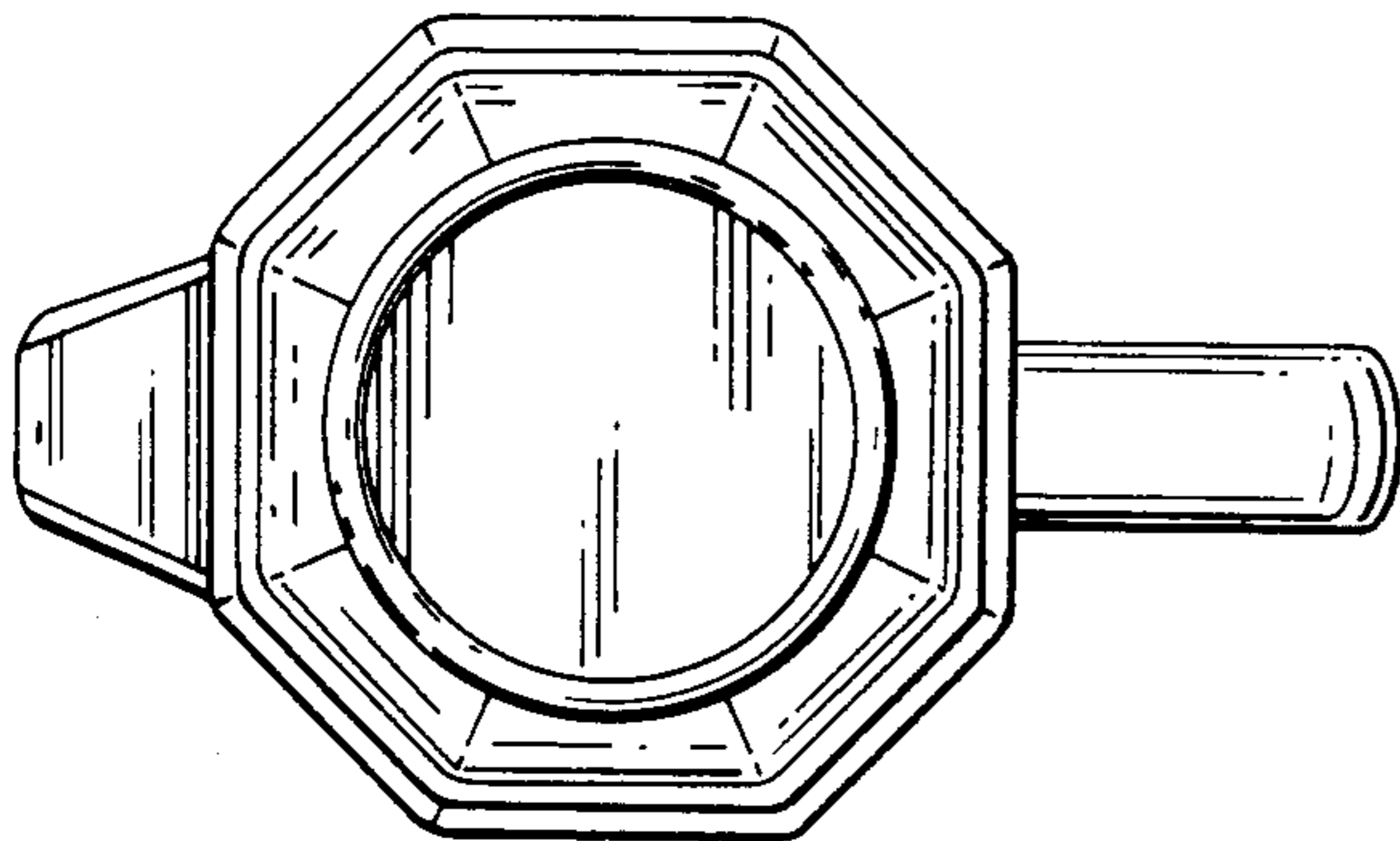


FIG.5

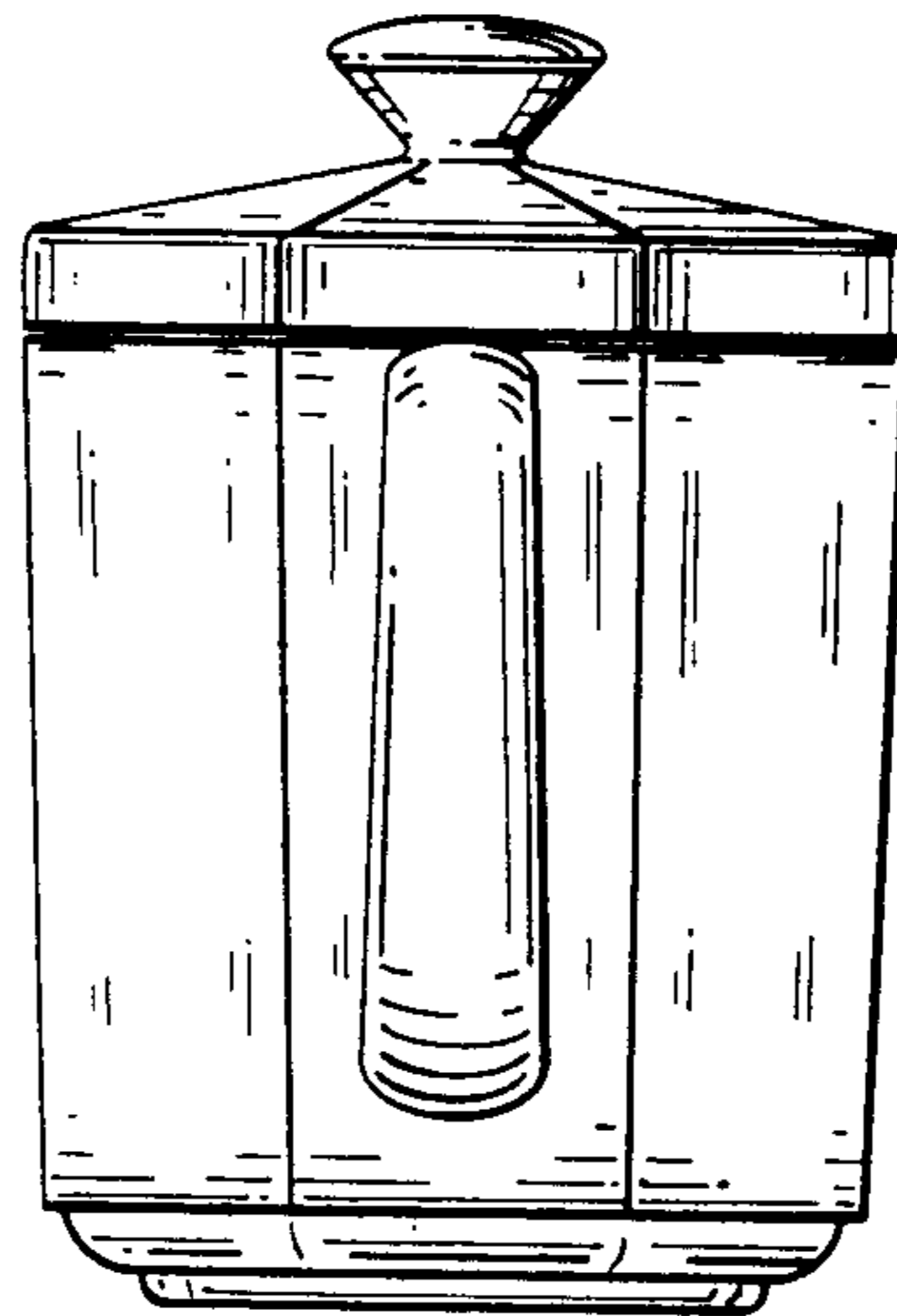


FIG.6