

- [54] CREAM PITCHER OR THE LIKE
[75] Inventor: Rino Conti, Stoughton, Mass.
[73] Assignee: Dart Industries Inc., Los Angeles, Calif.
[**] Term: 14 Years
[21] Appl. No.: 39,534
[22] Filed: May 16, 1979
[51] Int. Cl. D07-01
[52] U.S. Cl. D7/64
[58] Field of Search D7/59-67,
D7/52, 58, 10, 3, 9

- [56] **References Cited**
U.S. PATENT DOCUMENTS
D. 70,633 7/1926 Simmons D7/64

D. 101,865	11/1936	Fuerst	D7/9
D. 101,961	11/1936	Kogan	D7/64
D. 155,304	9/1949	McKay	D7/10
D. 215,471	9/1969	Gulotta	D7/65
3,760,972	9/1973	McKirnan	D7/59 X

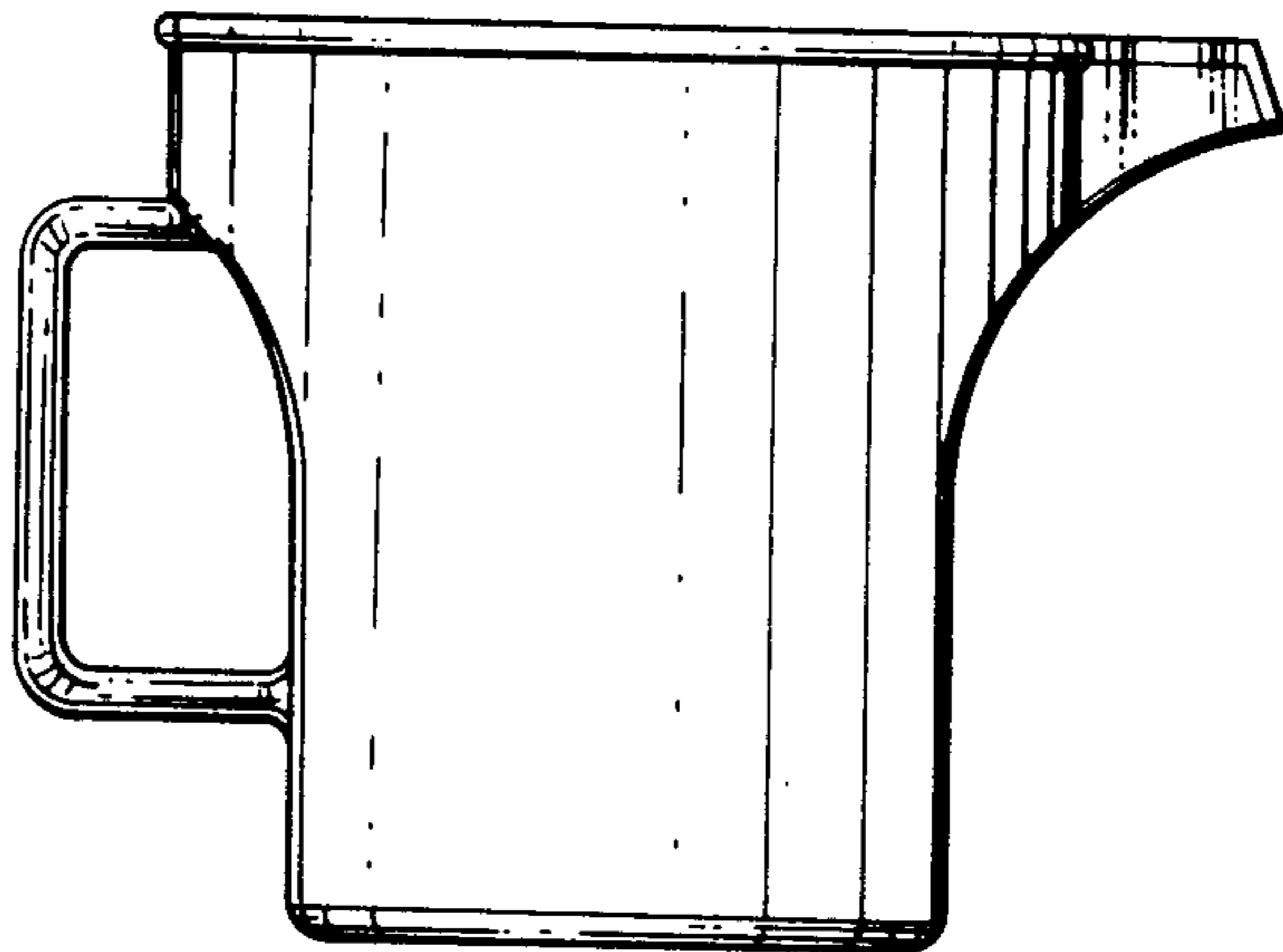
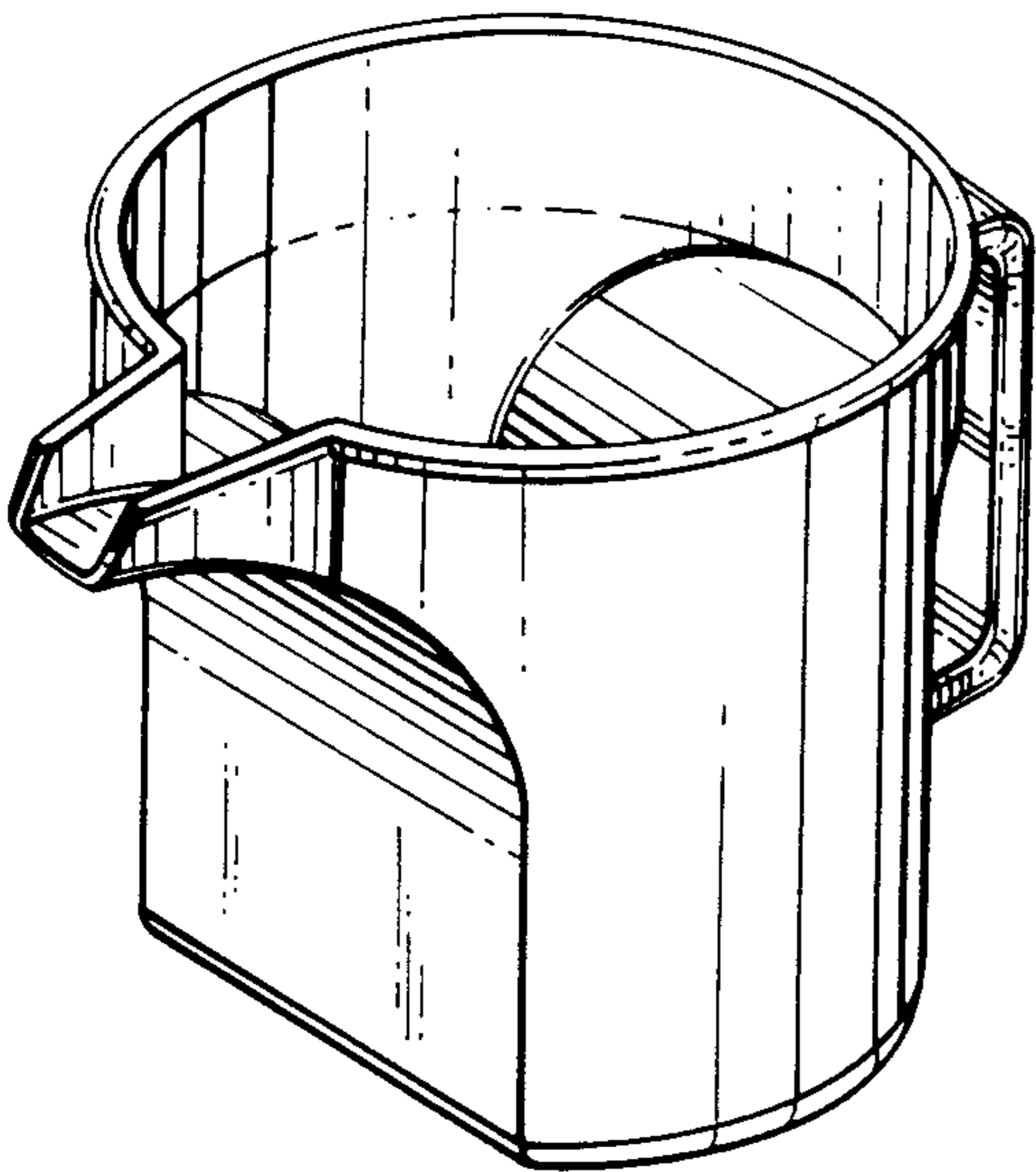
Primary Examiner—Winifred E. Herrmann

[57] **CLAIM**

The ornamental design for a cream pitcher or the like, substantially as shown.

DESCRIPTION

FIG. 1 is a top perspective view of a cream pitcher or the like showing my new design;
FIG. 2 is a side elevational view thereof;
FIG. 3 is a front elevational view thereof;
FIG. 4 is a top plan view thereof;
FIG. 5 is a bottom plan view thereof; and,
FIG. 6 is a rear elevational view thereof.



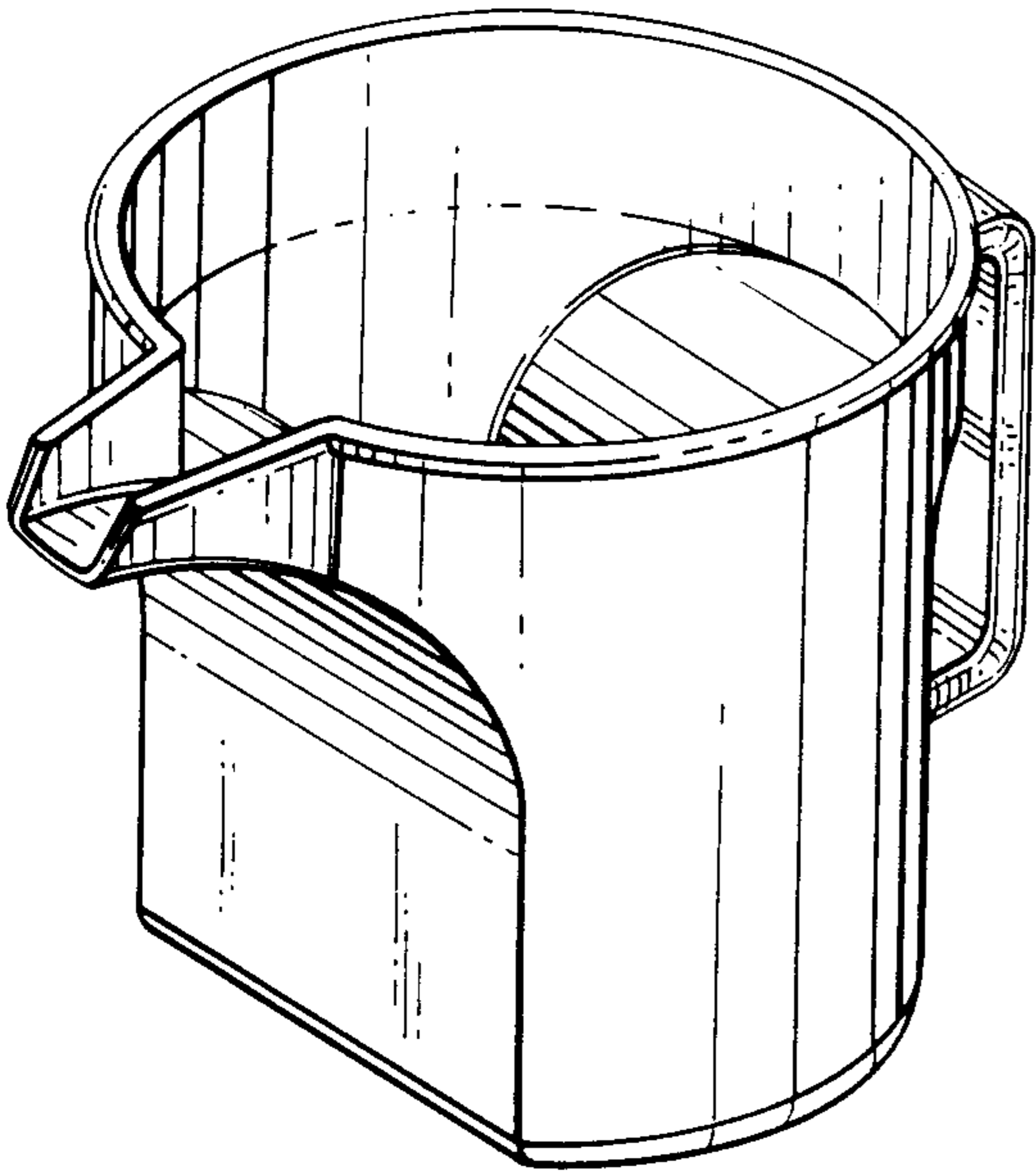


FIG. 1

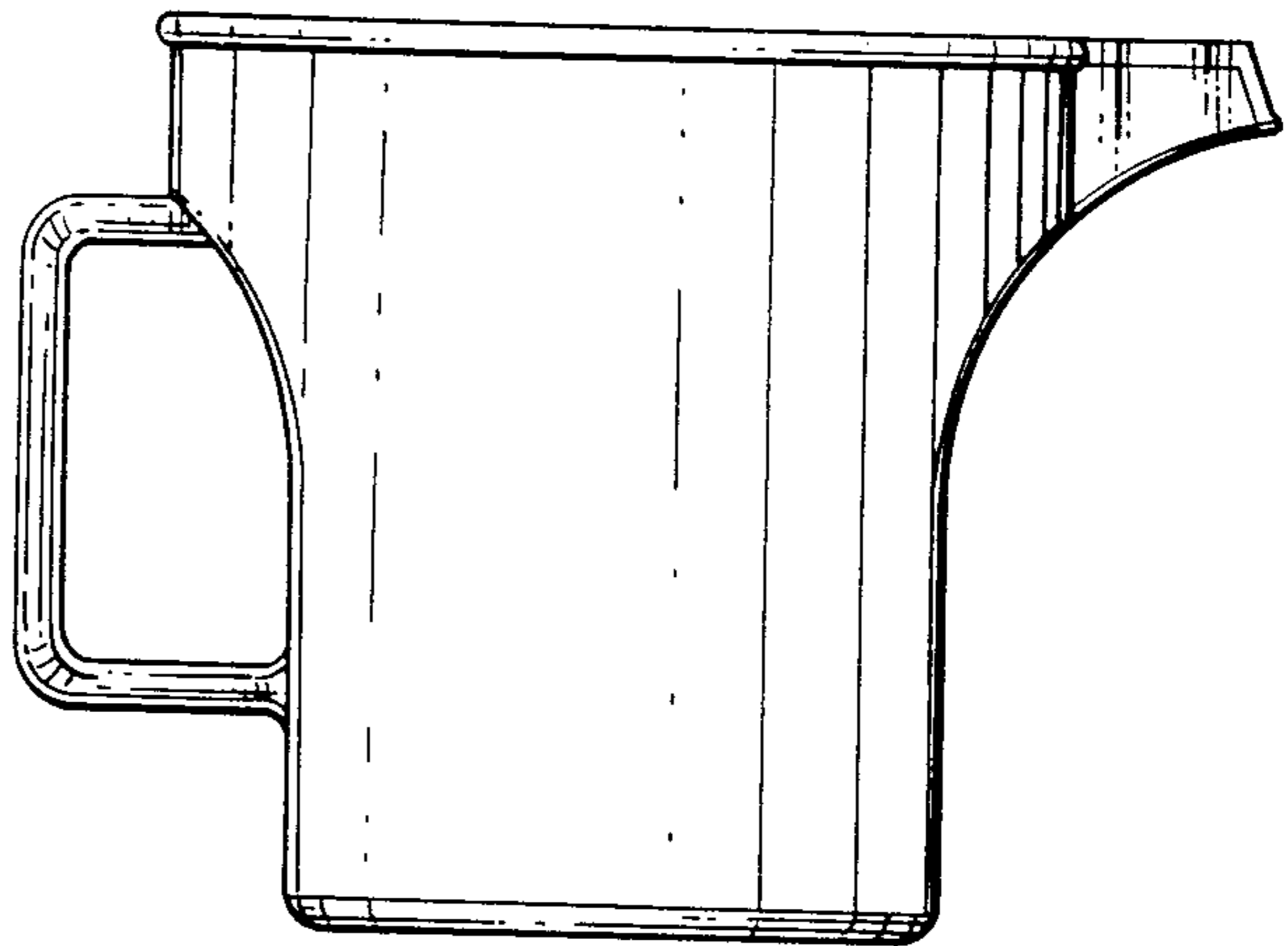


FIG. 2

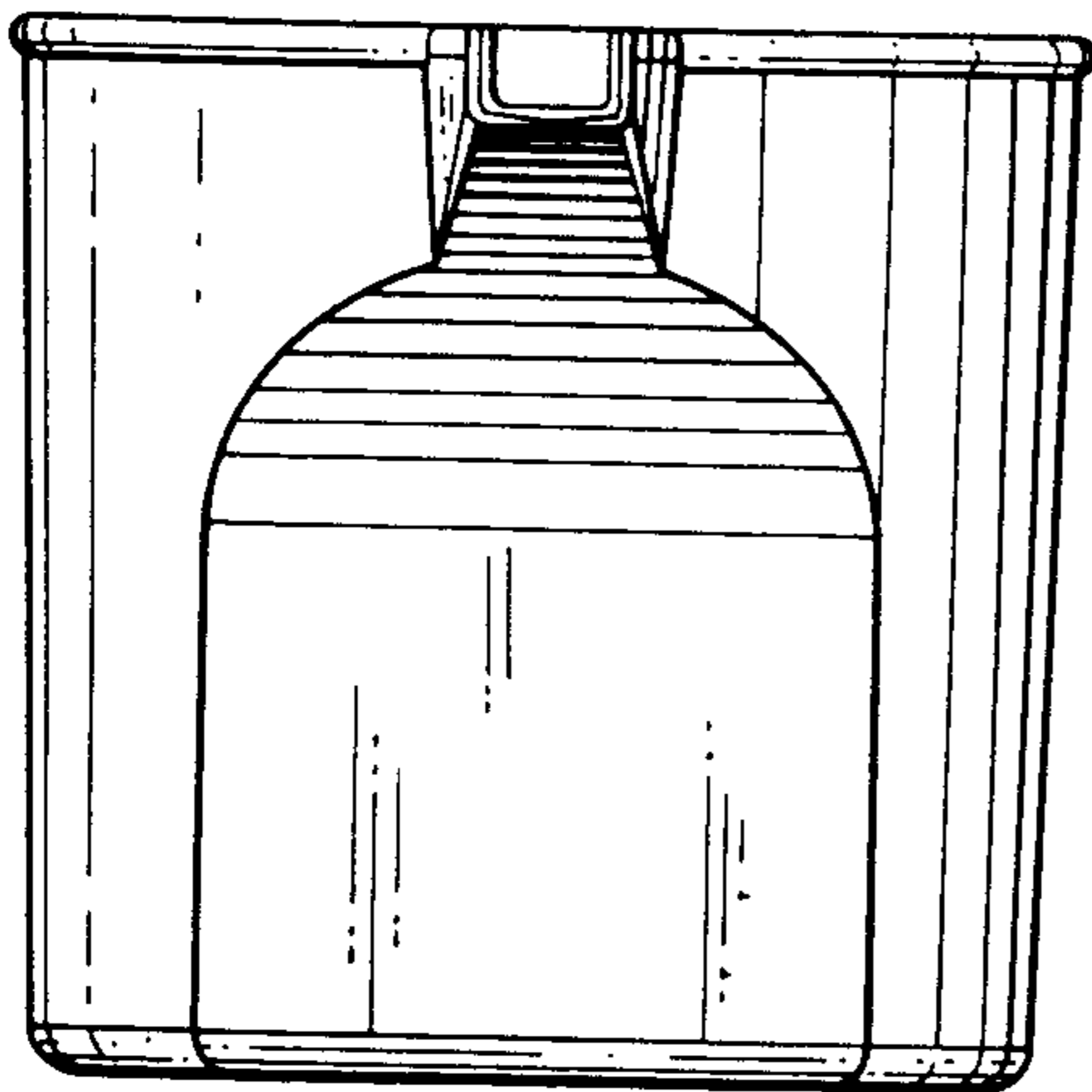


FIG. 3

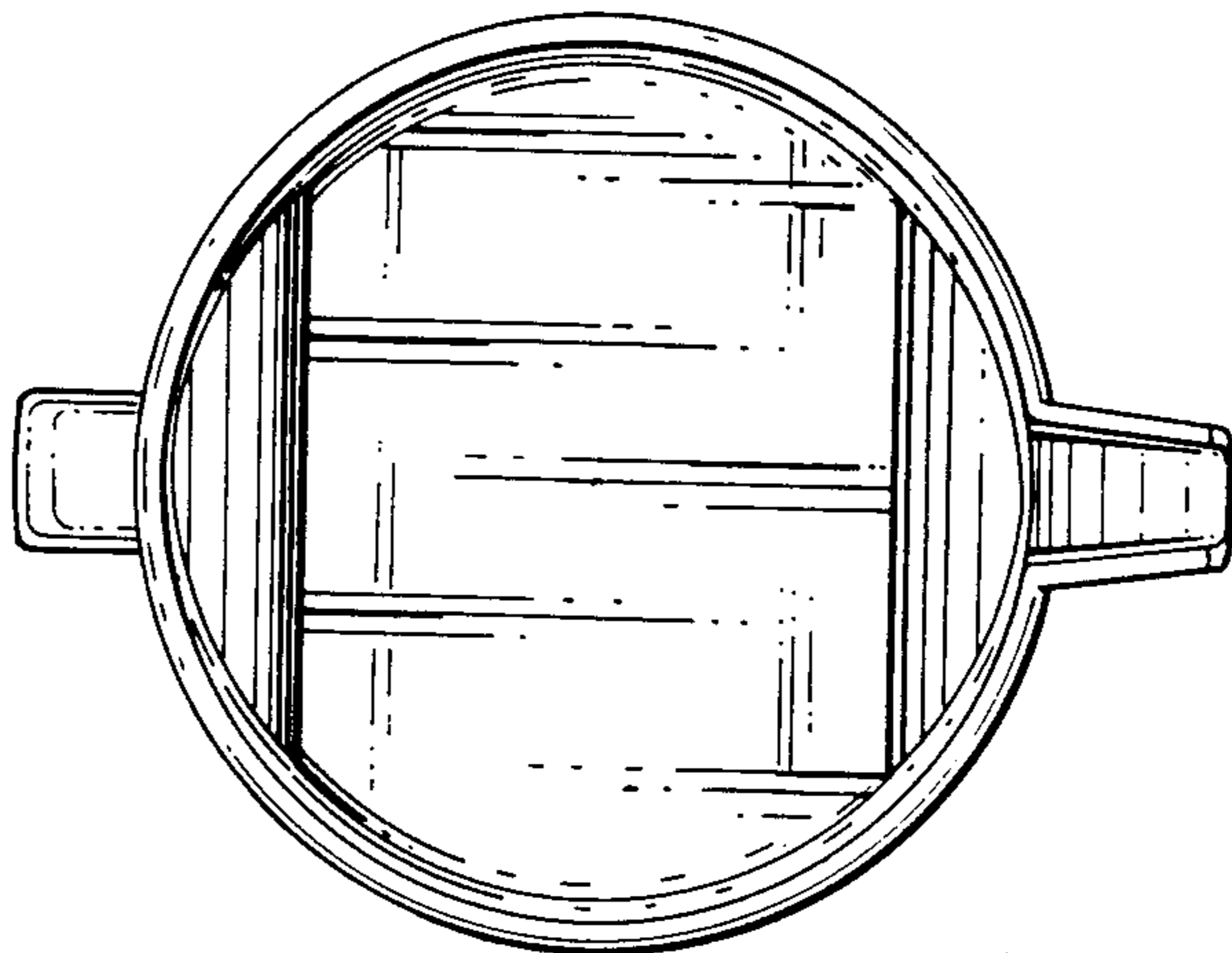


FIG. 4

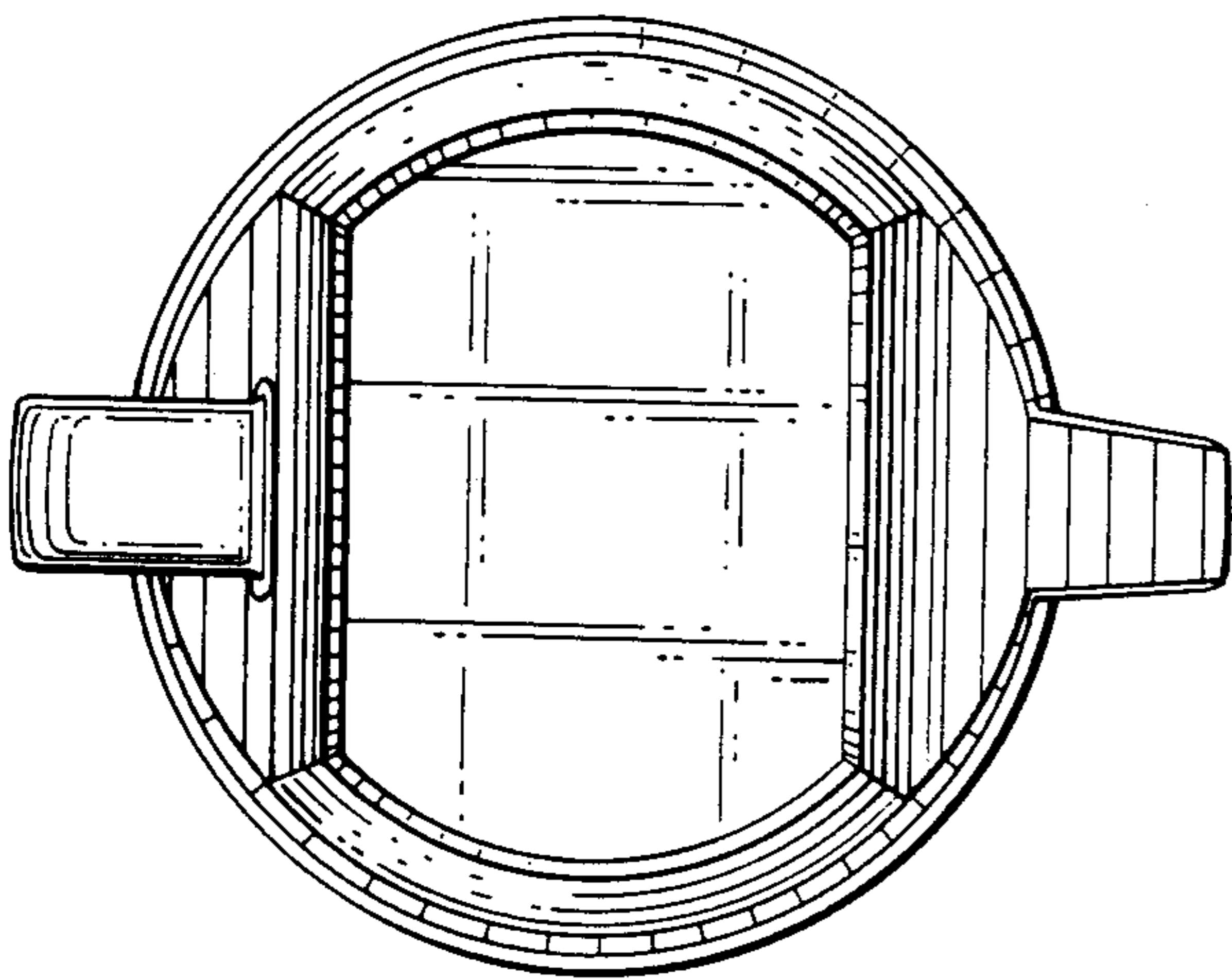


FIG. 5

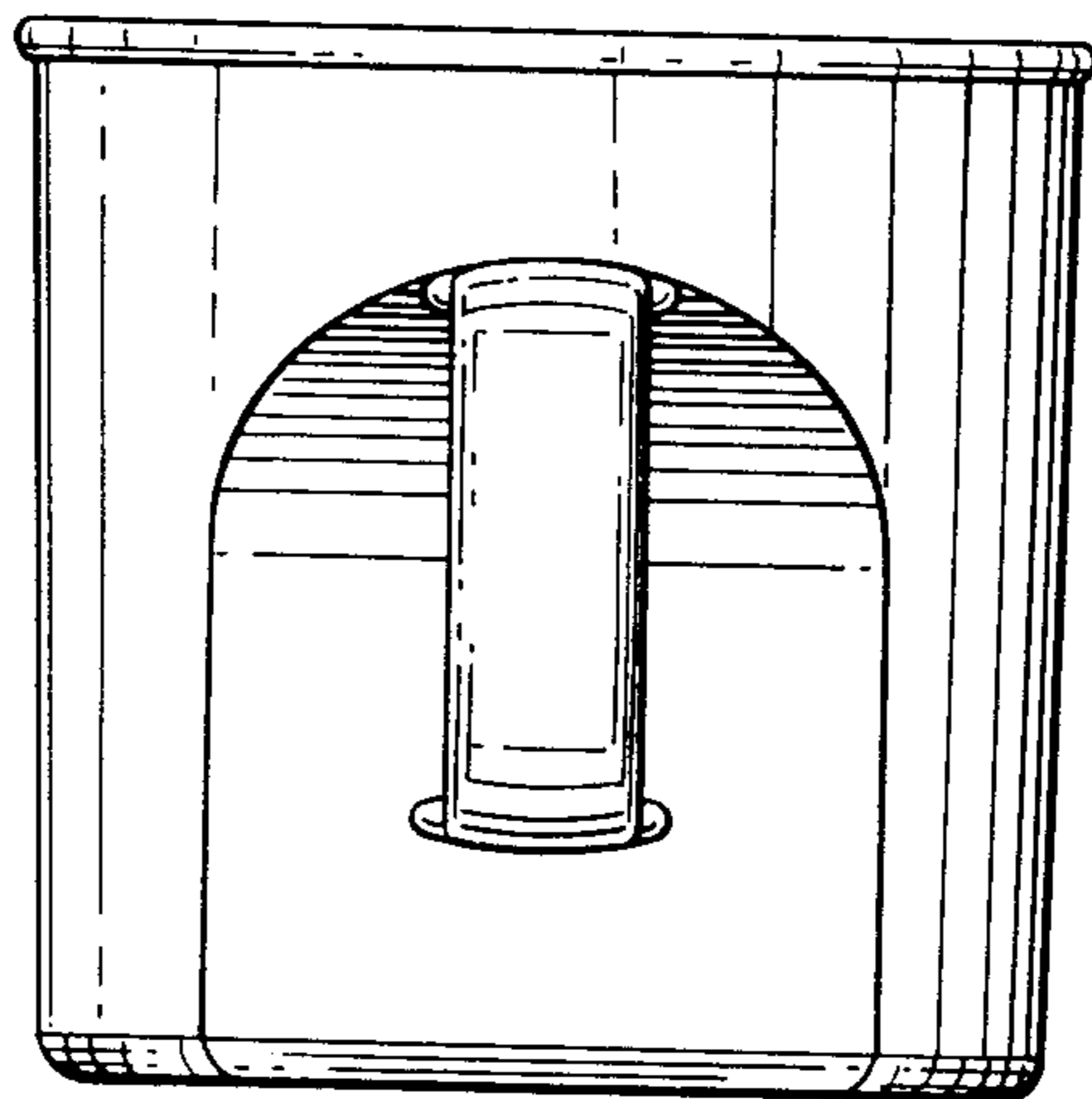


FIG. 6