

[54] VALET WALL RACK

[76] Inventor: David Nusz, 2025 W. Mark, Layton, Utah 84041

[**] Term: 14 Years

[21] Appl. No.: 974,128

[22] Filed: Dec. 26, 1978

[51] Int. Cl. D6-04

[52] U.S. Cl. D6/123; D6/114; D6/136

[58] Field of Search D6/85, 86, 114-116, D6/123, 125, 130, 131, 132, 134-137; 108/152; 211/13, 87, 88, 90, 153

[56] References Cited

U.S. PATENT DOCUMENTS

| | | | |
|------------|--------|--------------|--------|
| D. 167,517 | 8/1952 | Kopko | D6/114 |
| D. 183,523 | 9/1958 | Jensen | D6/86 |
| D. 245,557 | 8/1977 | Wiser | D6/123 |

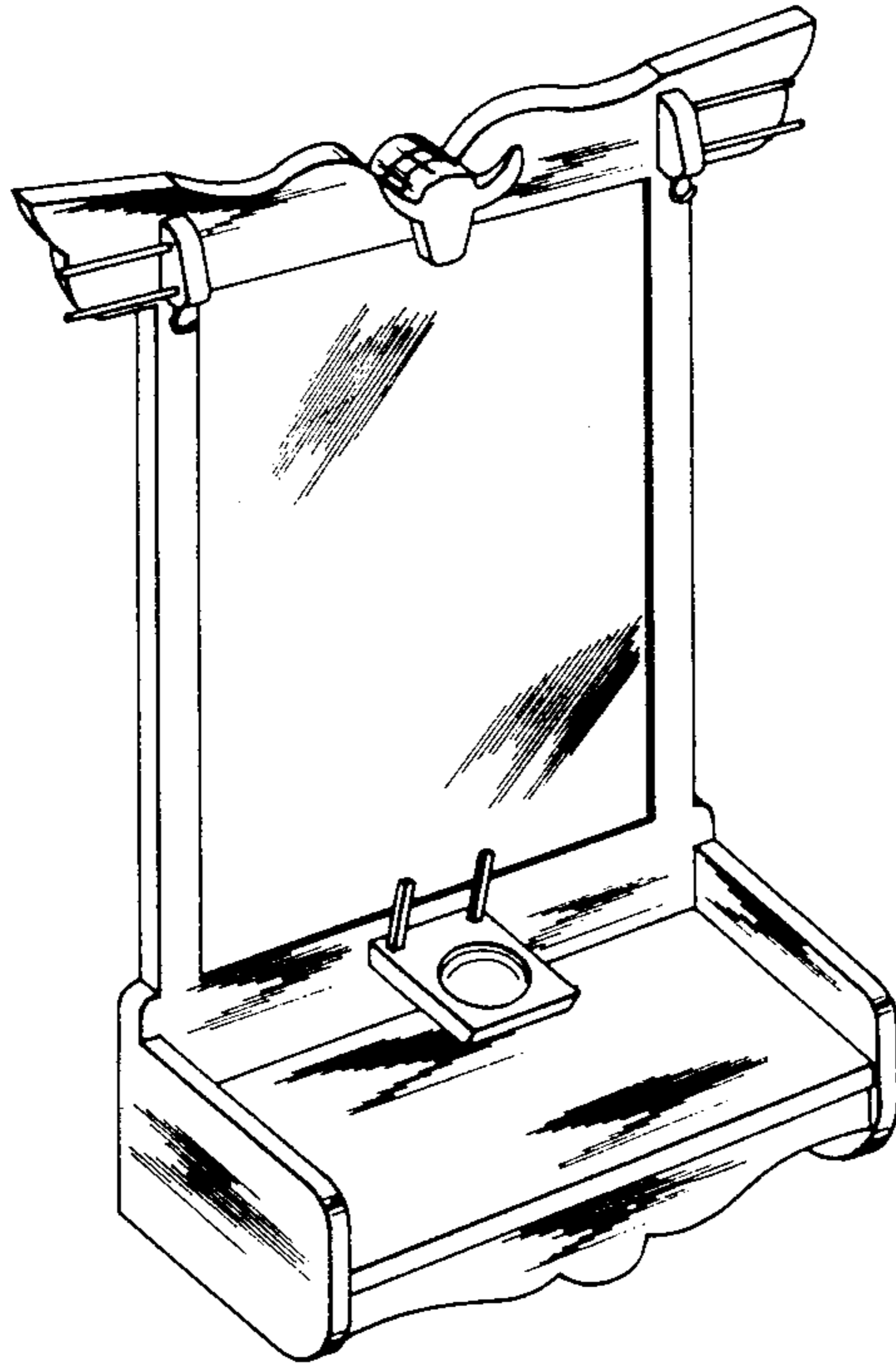
Primary Examiner—Barbara J. Bullock
Attorney, Agent, or Firm—Richard F. Bojanowski

[57] CLAIM

The ornamental design for a valet wall rack, as shown and described.

DESCRIPTION

FIG. 1 is a front perspective view of a valet wall rack showing my new design. The rear being flat and unornamented;
FIG. 2 is a fragmentary bottom perspective view thereof.



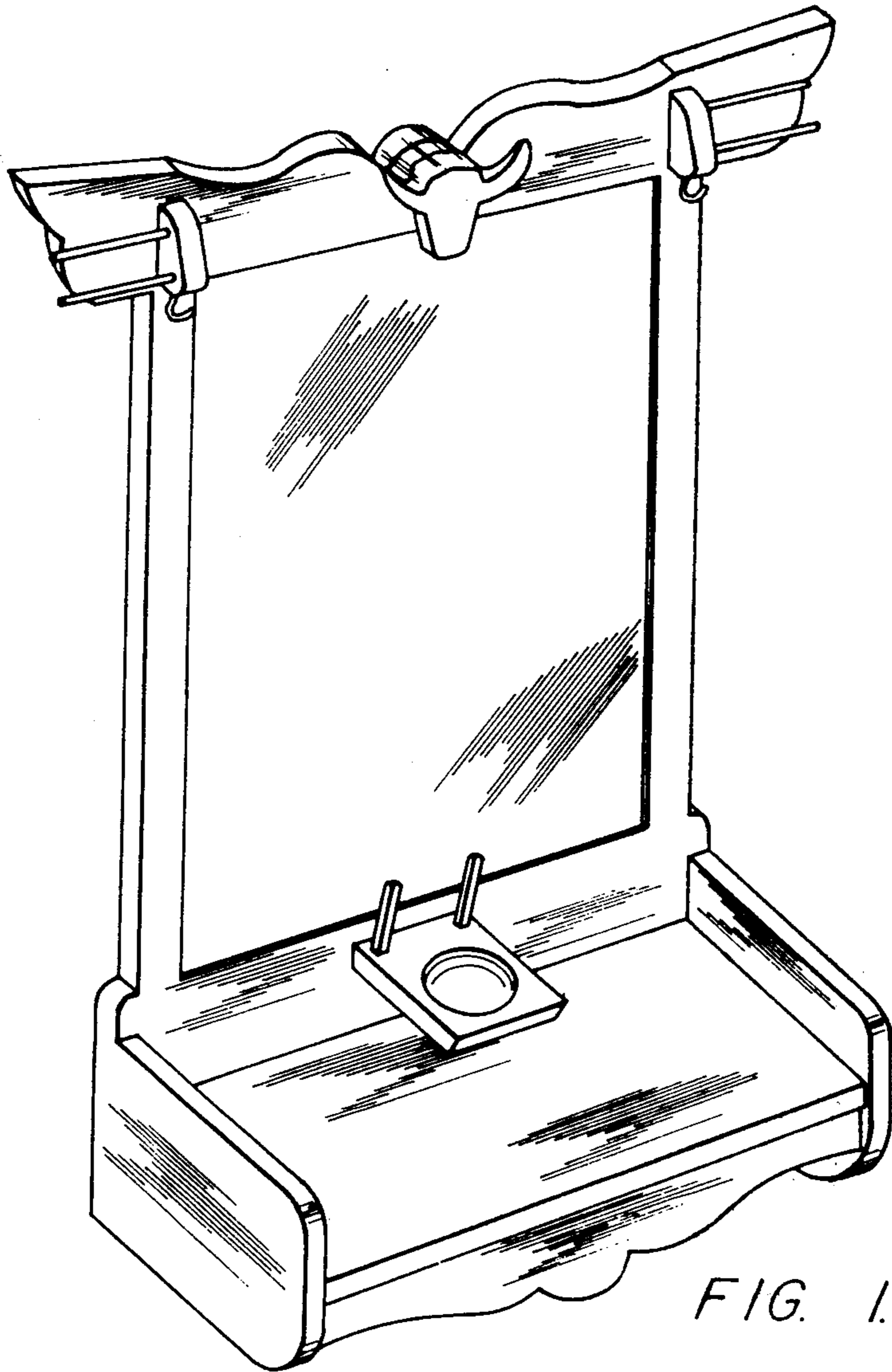


FIG. 1.

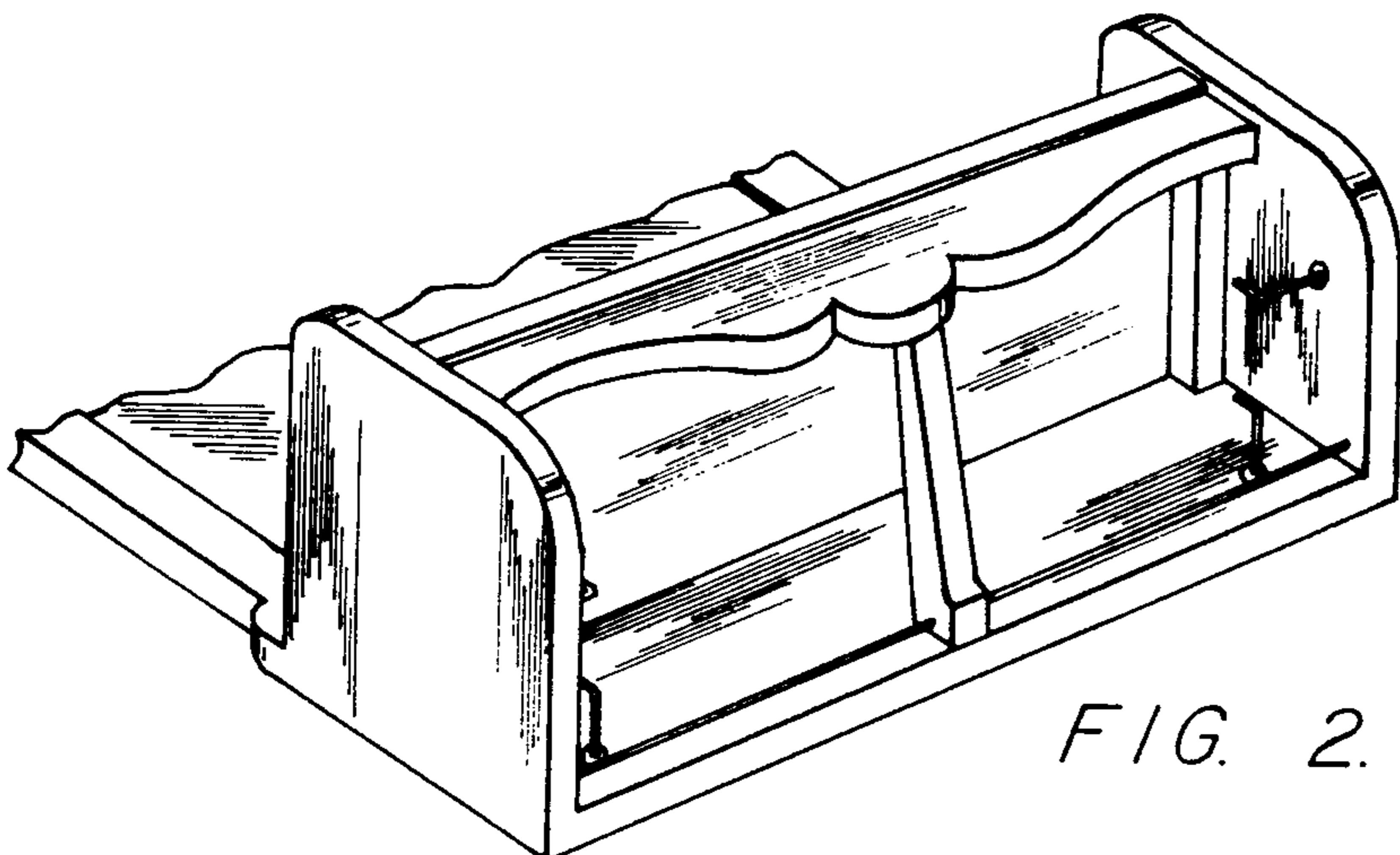


FIG. 2.