

[54] PLAYPEN

[75] Inventor: Richard E. Cone, Dayton, Ohio

[73] Assignee: Questor Corporation, Toledo, Ohio

[**] Term: 14 Years

[21] Appl. No.: 944,208

[22] Filed: Sep. 20, 1978

[51] Int. Cl. D6-06

[52] U.S. Cl. D6/13

[58] Field of Search D6/13; 5/98 R, 93 R,
5/98 A, 99 A, 99 C

[56] References Cited

U.S. PATENT DOCUMENTS

D. 244,890 7/1977 Adams D6/13

2,710,976 6/1955 Martensen D6/13 X
3,309,718 3/1967 Sarasin D6/13 X
3,430,273 3/1969 Stillwaugh 5/98

Primary Examiner—Bruce W. Dunkins
Attorney, Agent, or Firm—Donald R. Bahr

[57] CLAIM

The ornamental design for a playpen, as shown and described.

DESCRIPTION

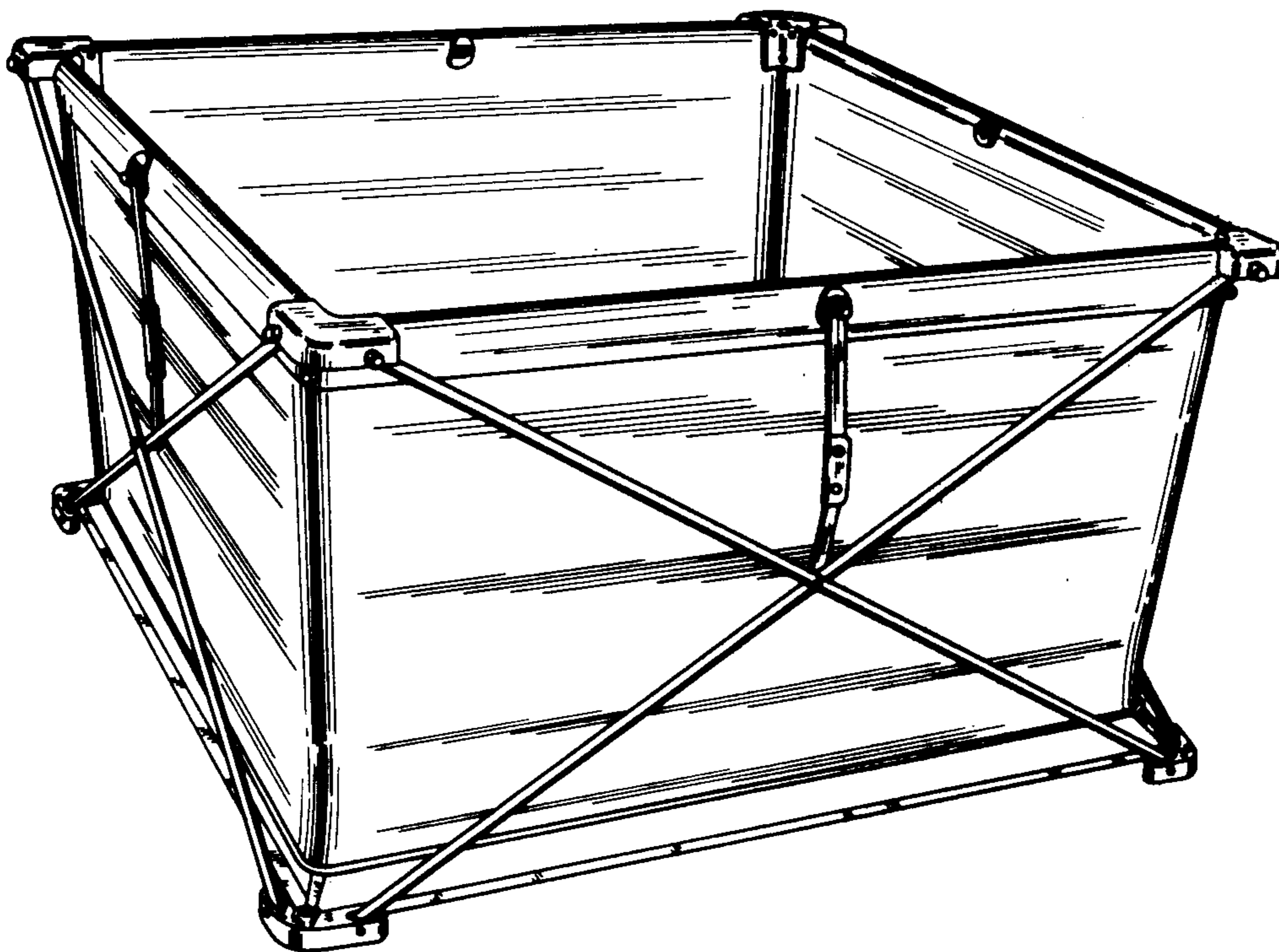
FIG. 1 is a perspective view of a playpen showing my new design;

FIG. 2 is a top plan view thereof;

FIG. 3 is a side view thereof; and

FIG. 4 is a bottom view thereof.

Only one side of the playpen is shown in the subject drawings. All four sides of the playpen of the subject invention are essentially identical.



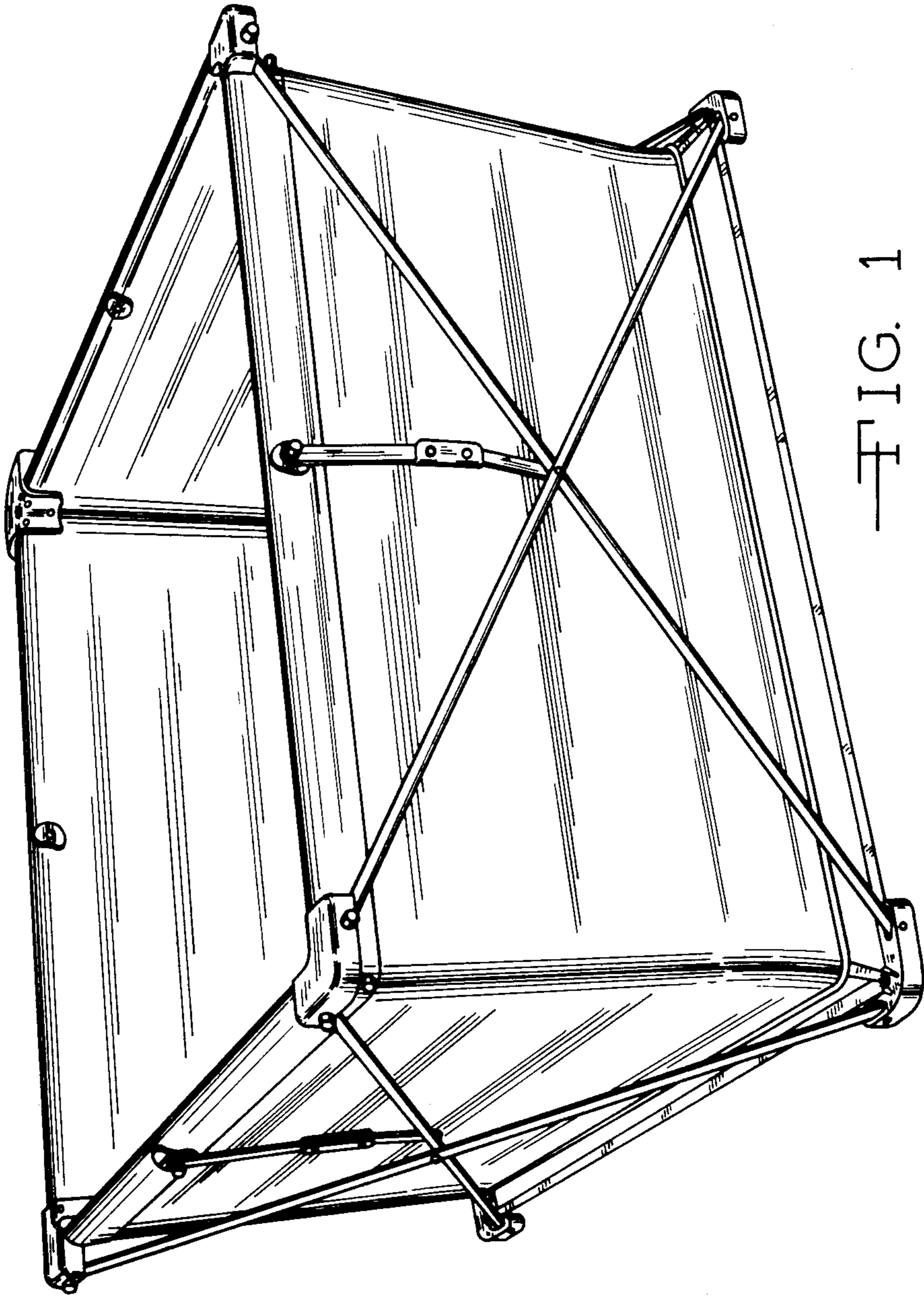
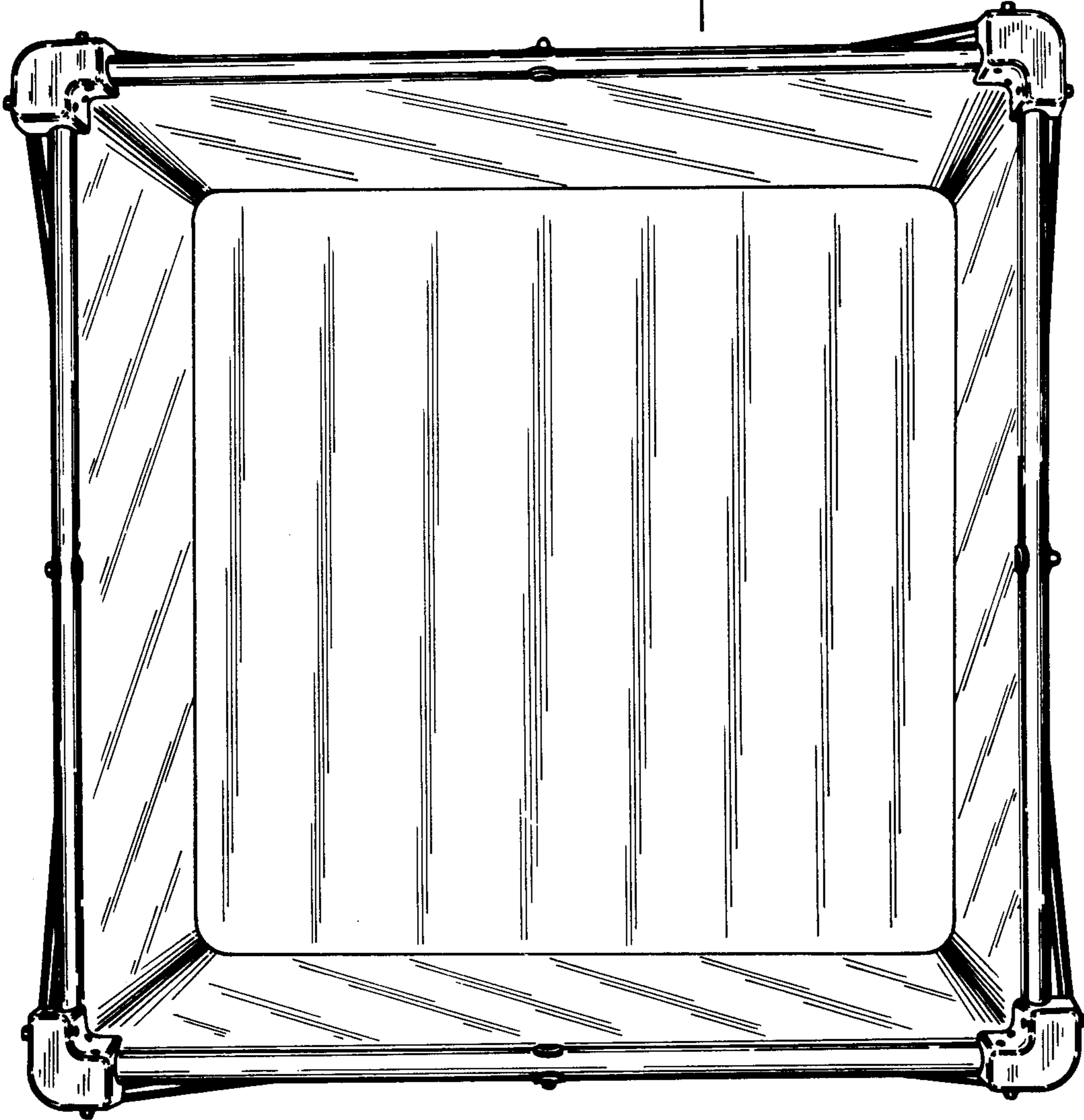
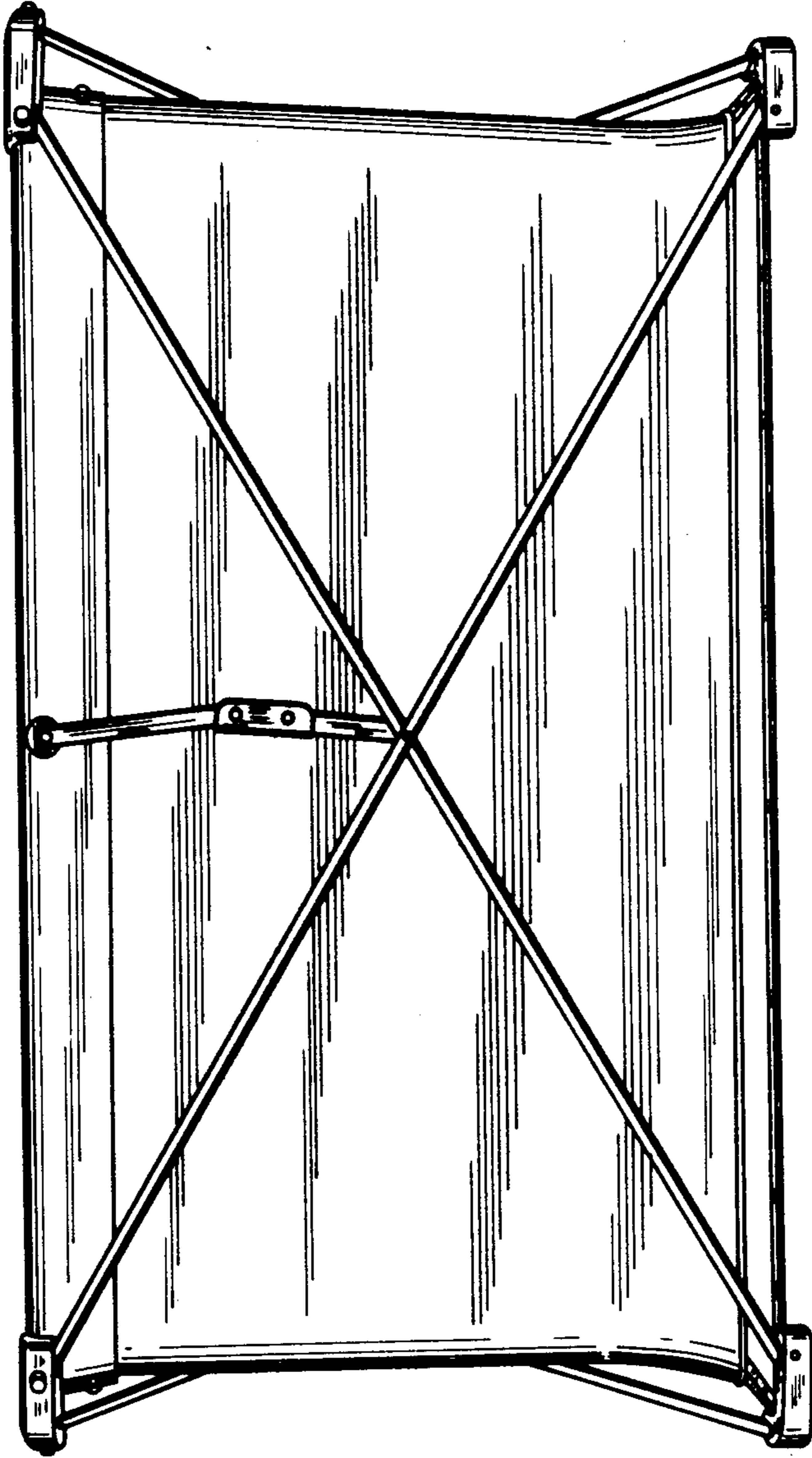


FIG. 1

FIG. 2





—FIG. 3

FIG. 4

