

[54] CRYOBIOLOGICAL VESSEL

[76] Inventors: Boris M. Akimov, ulitsa Dzerzhinskogo, 81/85, kv. 16; Anatoly I. Voronov, ulitsa Chaikovskogo, 11, kv. 6; Viktor I. Morozov, ulitsa Zernovaya, 16, kv. 90; Vitaly I. Shalaev, ulitsa Bairona, 161 G, kv. 32; Viktor V. Demenko, poselok Khoroshevo, pereulok Gorkogo, 17; Georgy S. Tsoglin, ulitsa Geroev Truda, 38, kv. 68; Albina T. Rjumina, ulitsa Gvardeitsev Sheronintsev, 67, kv. 138, all of Kharkov, U.S.S.R.

[**] Term: 14 Years

[21] Appl. No.: 849,458

[22] Filed: Nov. 7, 1977

[51] Int. Cl. D24-99

[52] U.S. Cl. D24/99; D9/47; D9/175

[58] Field of Search 220/464, 426, 465, 94 R; 222/466; D9/175, 47; D24/99

[56]

References Cited

U.S. PATENT DOCUMENTS

650,960	6/1900	Tiepke	220/1 M
1,276,982	8/1918	Smith	220/426
1,424,604	8/1922	Weber	220/426

OTHER PUBLICATIONS

Atlantic Metalware Cat., 1903, p. 15, Milk Can top left of page.

Modern Packaging, Apr. 1963, p. 234, Delboy-63 Container.

Primary Examiner—Bernard Ansher

Attorney, Agent, or Firm—Burton L. Lilling

[57]

CLAIM

The ornamental design for a cryobiological vessel, as shown.

DESCRIPTION

FIG. 1 is a side elevation, partially in section, of the cryobiological vessel, showing our new design;

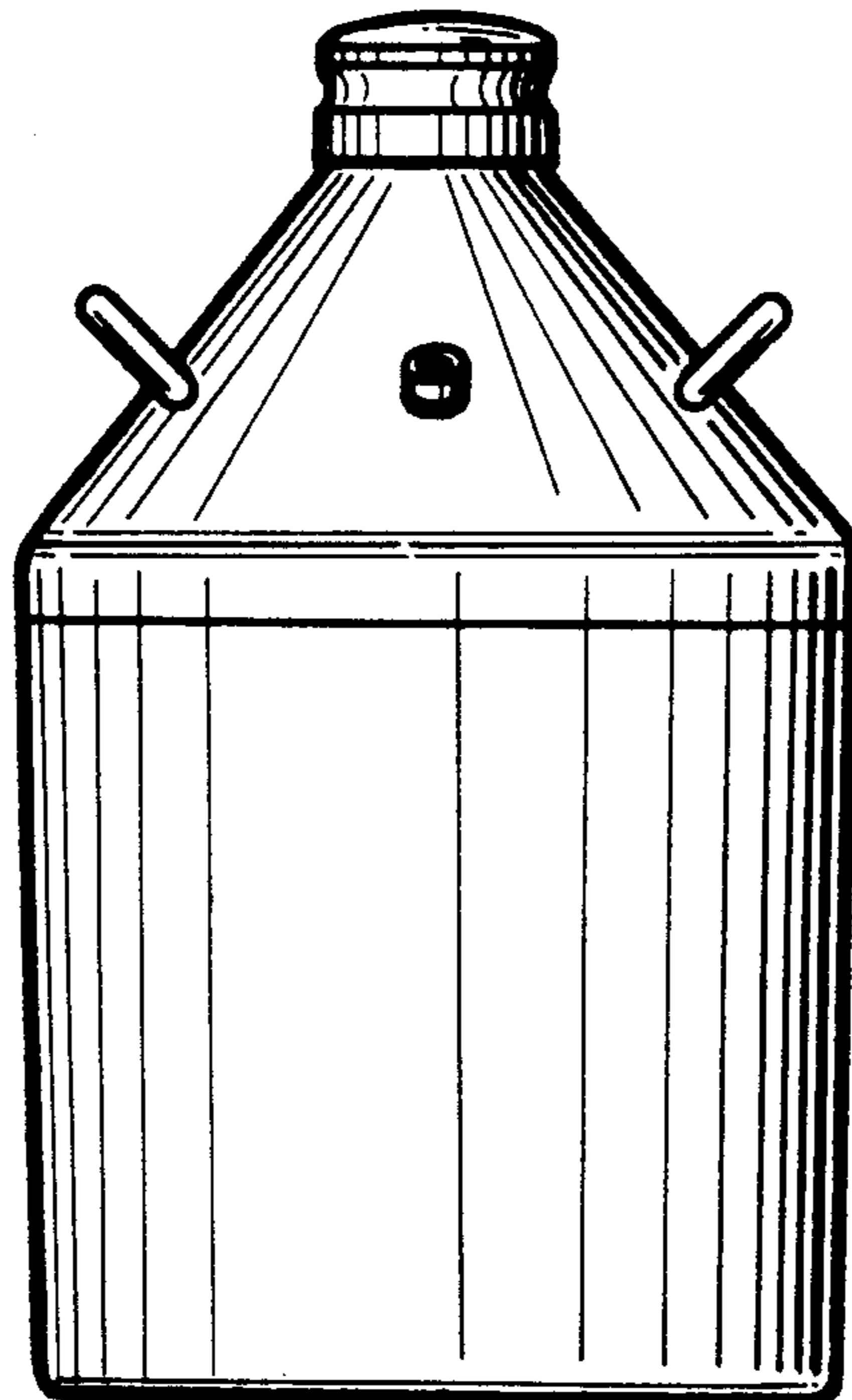
FIG. 2 is a side elevation thereof;

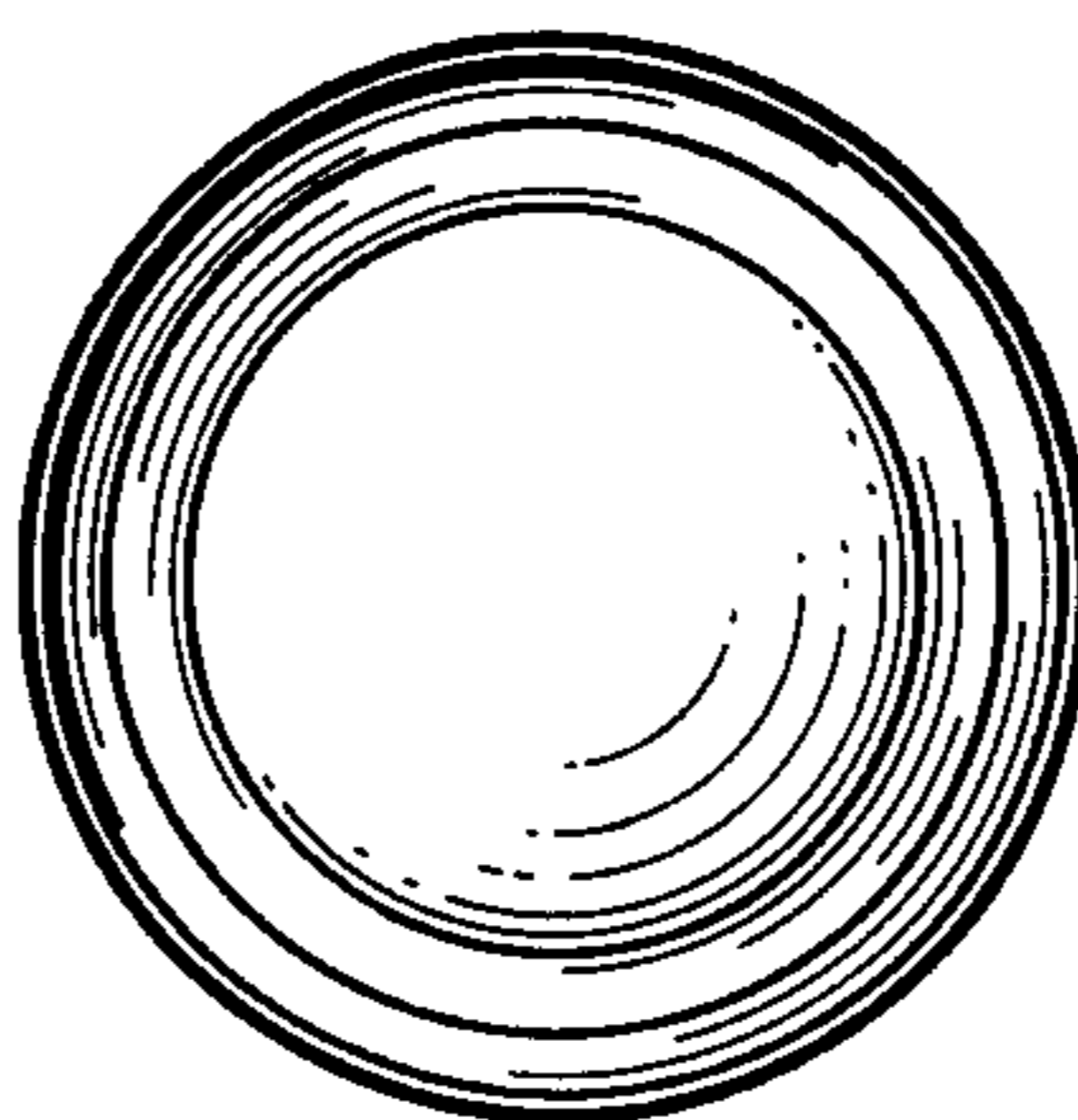
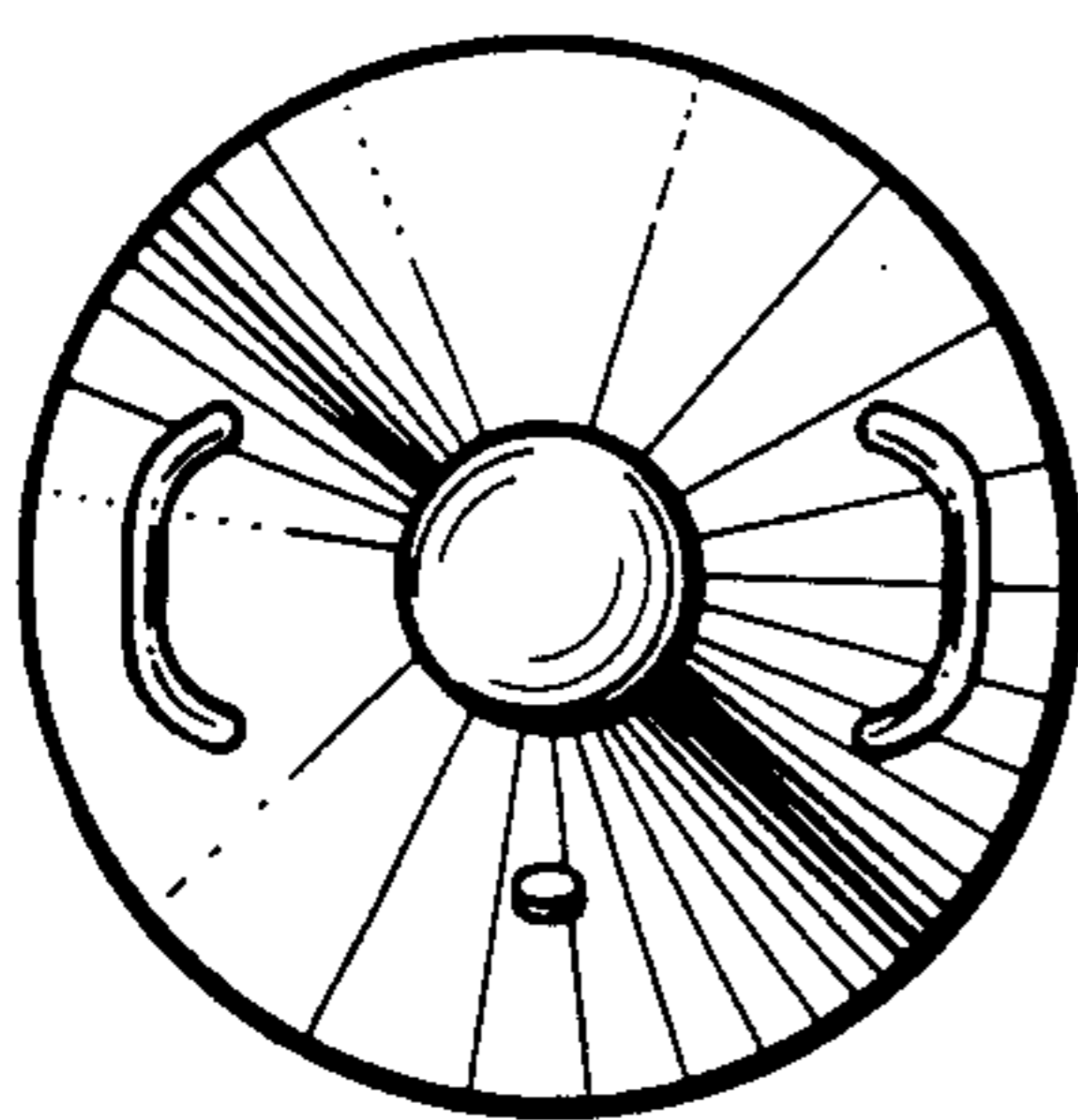
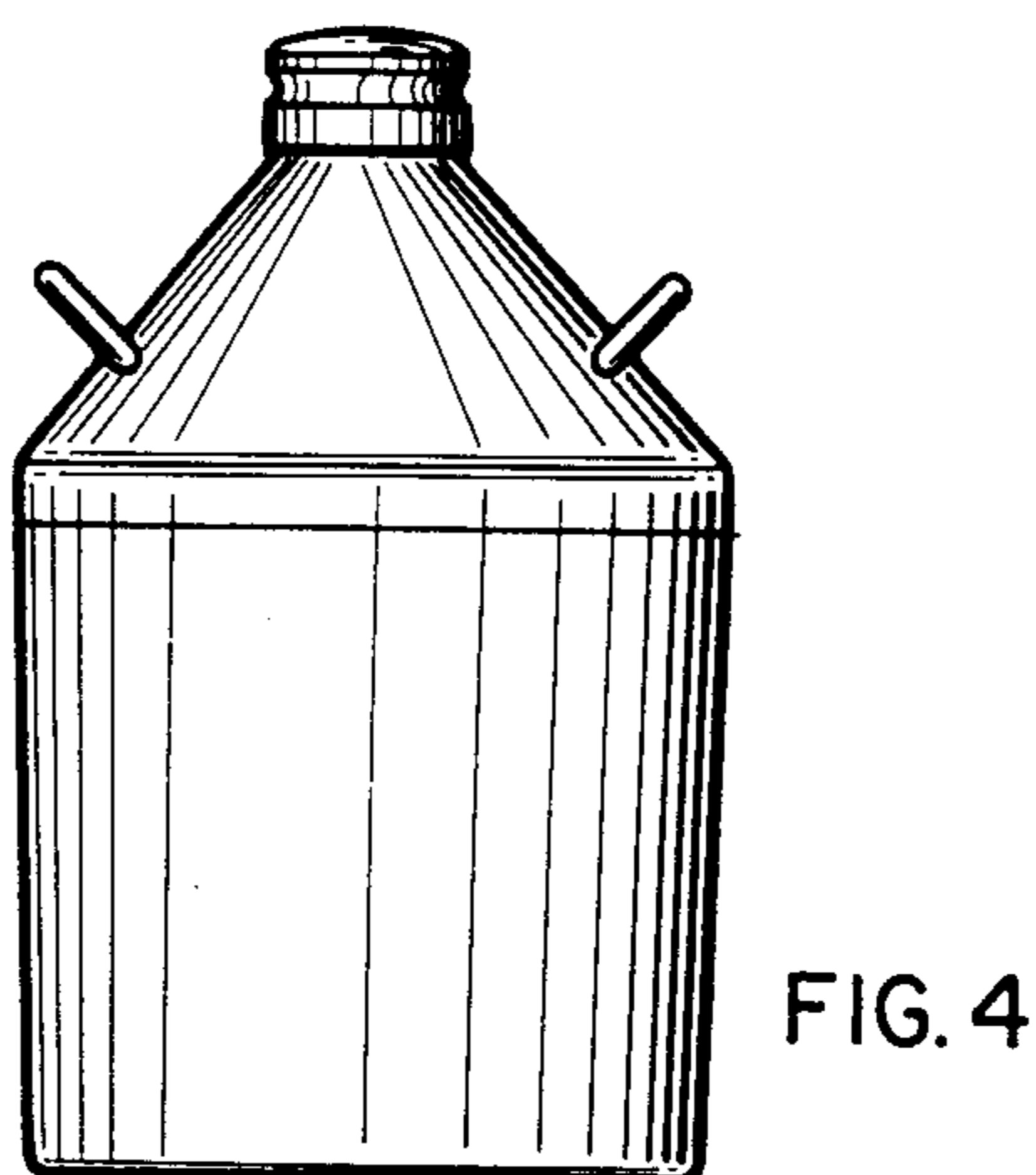
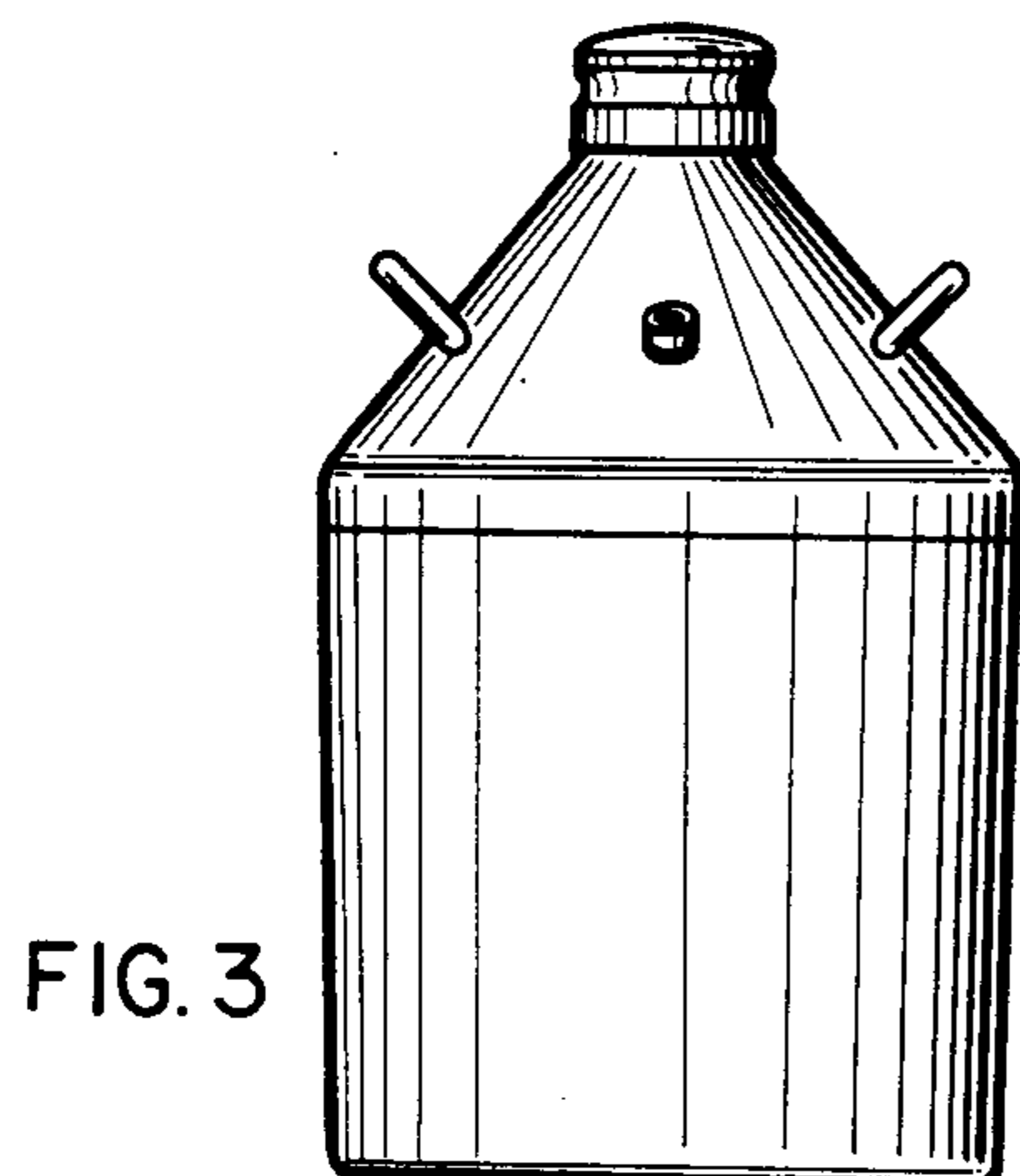
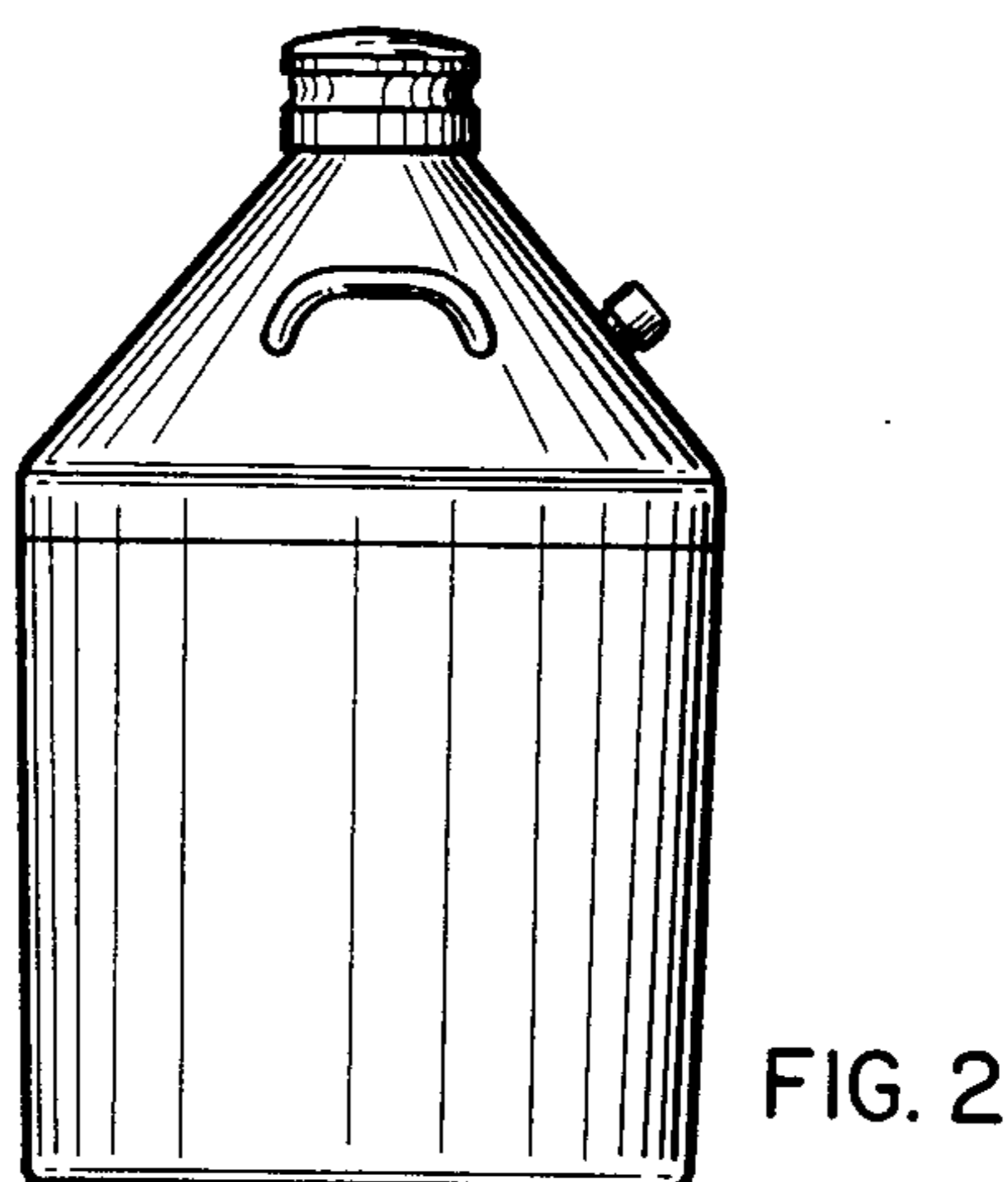
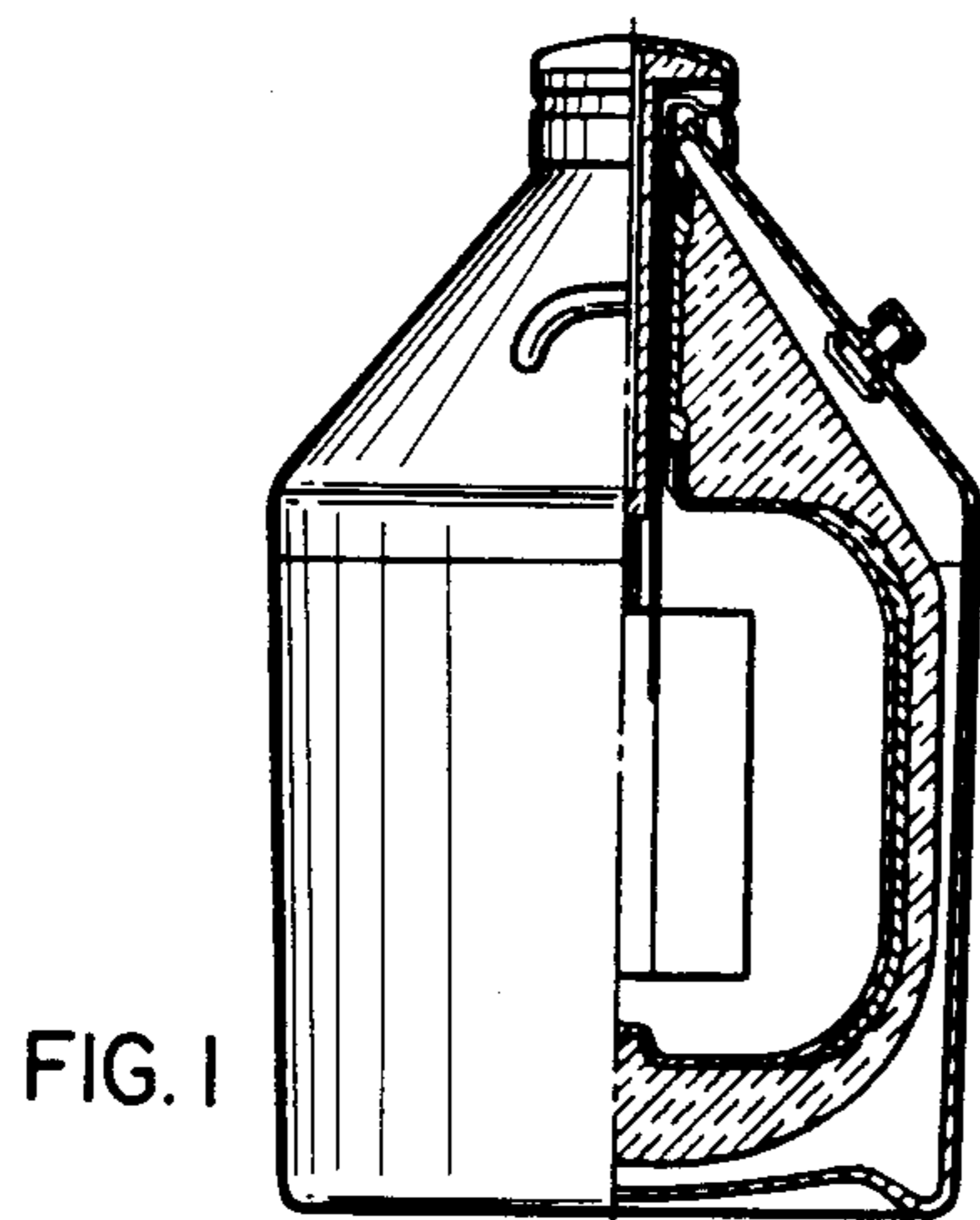
FIG. 3 is a front elevation of the vessel;

FIG. 4 is a rear elevation of the vessel;

FIG. 5 is a top plan view of the vessel; and

FIG. 6 is a bottom plan view of the vessel.





UNITED STATES PATENT AND TRADEMARK OFFICE
CERTIFICATE OF CORRECTION

PATENT NO. : Des. No. 257,389

DATED : October 14, 1980

INVENTOR(S) : Henry Pande

It is certified that error appears in the above—identified patent and that said Letters Patent is hereby corrected as shown below:

Insert The Title Page, as shown on the attached sheet.

Signed and Sealed this

Twenty-sixth Day of May 1981

[SEAL]

Attest:

RENE D. TEGTMEYER

Attesting Officer

Acting Commissioner of Patents and Trademarks