

[54] **MEDICAL VALVE**

[75] Inventor: **Bern D. Folkman**, Burbank, Calif.

[73] Assignee: **Tronomed International, Inc.**

[**] Term: **14 Years**

[21] Appl. No.: **884,027**

[22] Filed: **Mar. 6, 1978**

[51] Int. Cl. **D23—01; D24—99**

[52] U.S. Cl. **D24/53; D23/19**

[58] Field of Search **D23/19-22;**
D24/52, 53; 251/309, 310, 312; 137/625.19,
625.22, 625.32, 625.41, 625.47; 128/214 B

[56] **References Cited**

U.S. PATENT DOCUMENTS

D. 198,499	6/1964	Harautuneian	D23/21
D. 234,846	4/1975	Gallent	D23/19
D. 235,643	7/1975	Zimmerman	D23/19
D. 237,882	12/1975	Yamasaki	D23/19

3,012,752	12/1961	Buck	D23/19 X
3,481,367	12/1969	Deusehlo	251/309
3,750,704	8/1973	Burke et al.	137/625.47
3,783,900	1/1974	Waldbillig	251/309 X
3,788,602	1/1974	Kitzie	251/312
3,834,372	9/1974	Turney	137/625.47
3,957,082	5/1976	Fuson et al.	128/214 B
4,003,403	1/1977	Nehring	137/625.47 X
4,073,314	2/1978	Speelman	137/625.47

Primary Examiner—James R. Largen
Attorney, Agent, or Firm—Harold L. Jackson

[57] **CLAIM**

The ornamental design for a medical valve, as shown.

DESCRIPTION

FIG. 1 is a top plan view of a medical valve showing my new design;

FIG. 2 is a front elevation thereof;

FIG. 3 is a left side elevation thereof;

FIG. 4 is a right side elevation thereof;

FIG. 5 is a bottom plan view thereof; and

FIG. 6 is a rear elevation thereof.

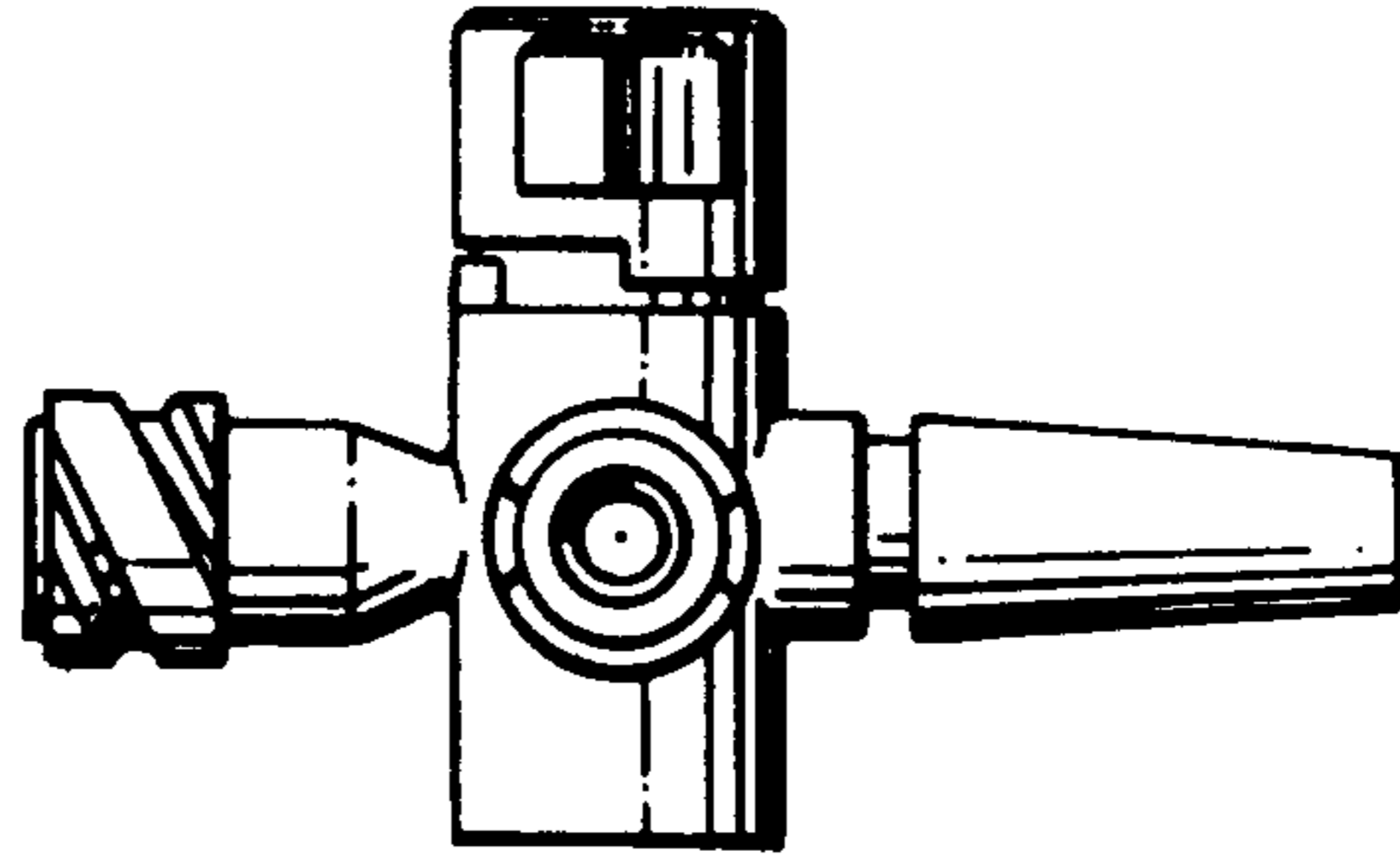
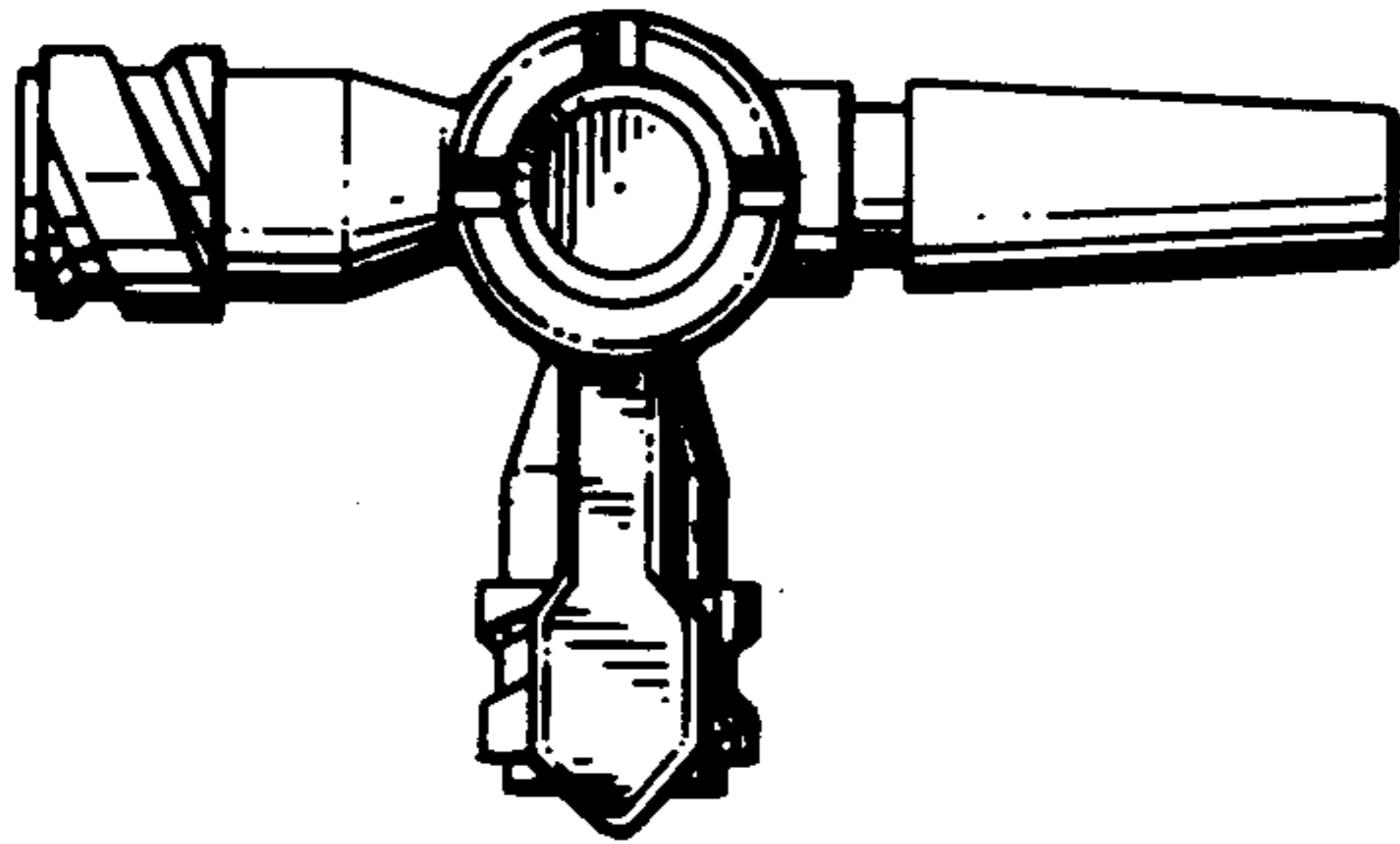


FIG. 1

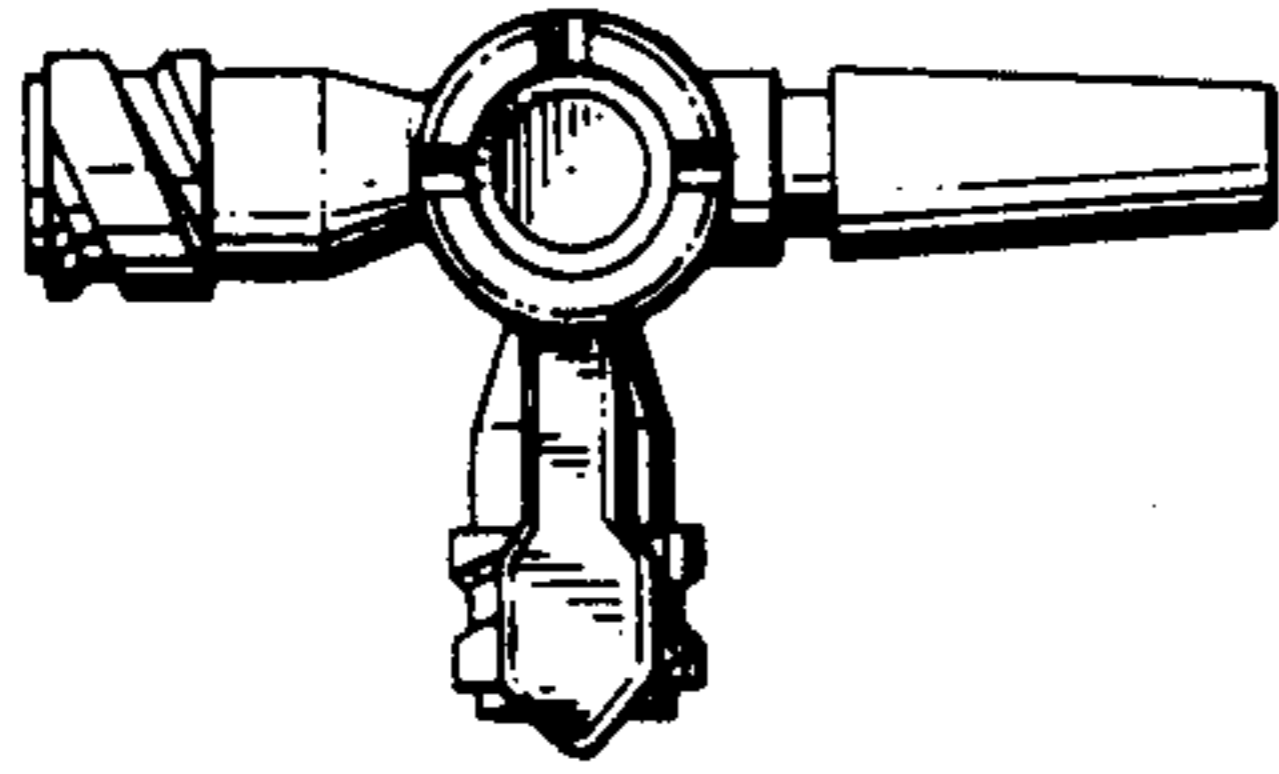


FIG. 2

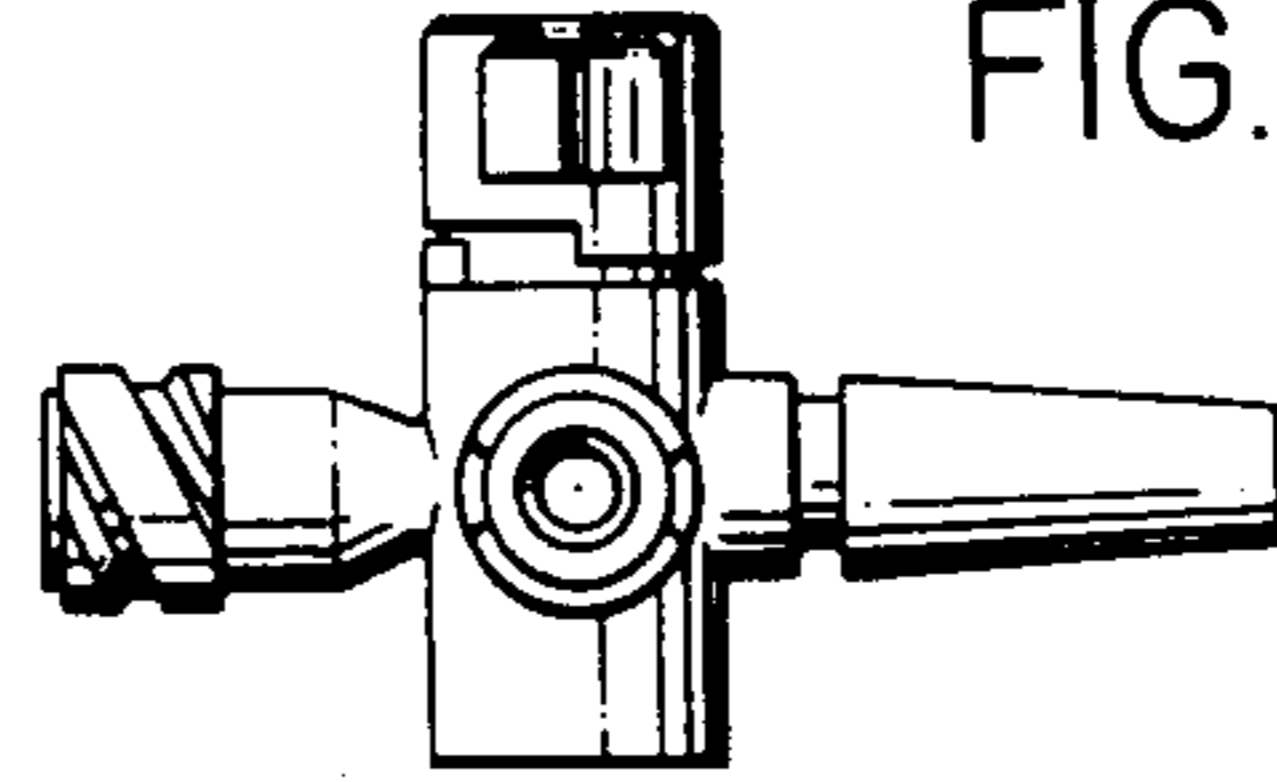


FIG. 3

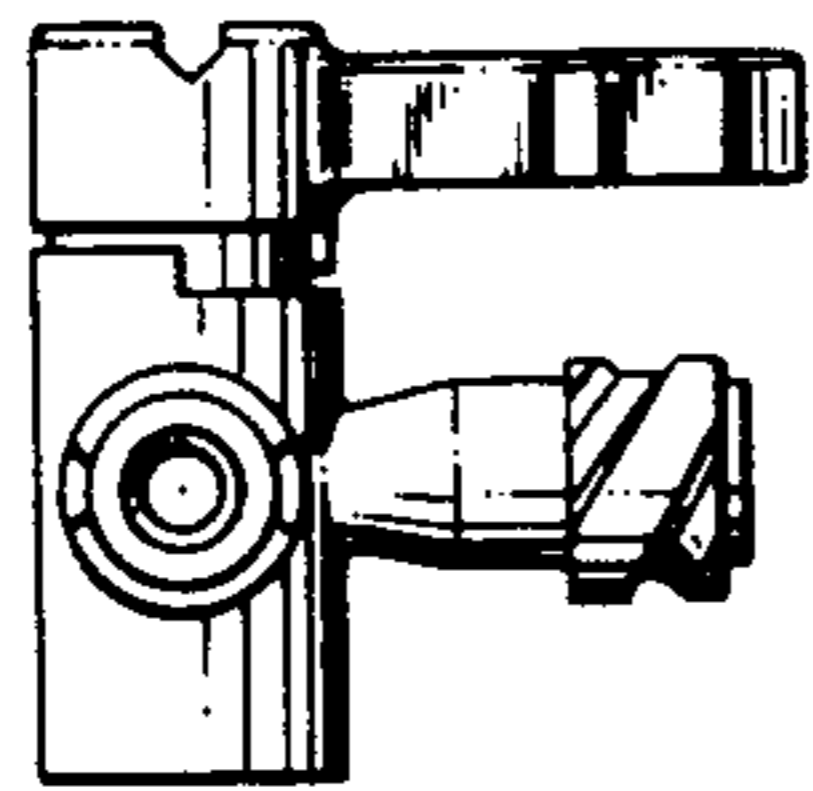


FIG. 4

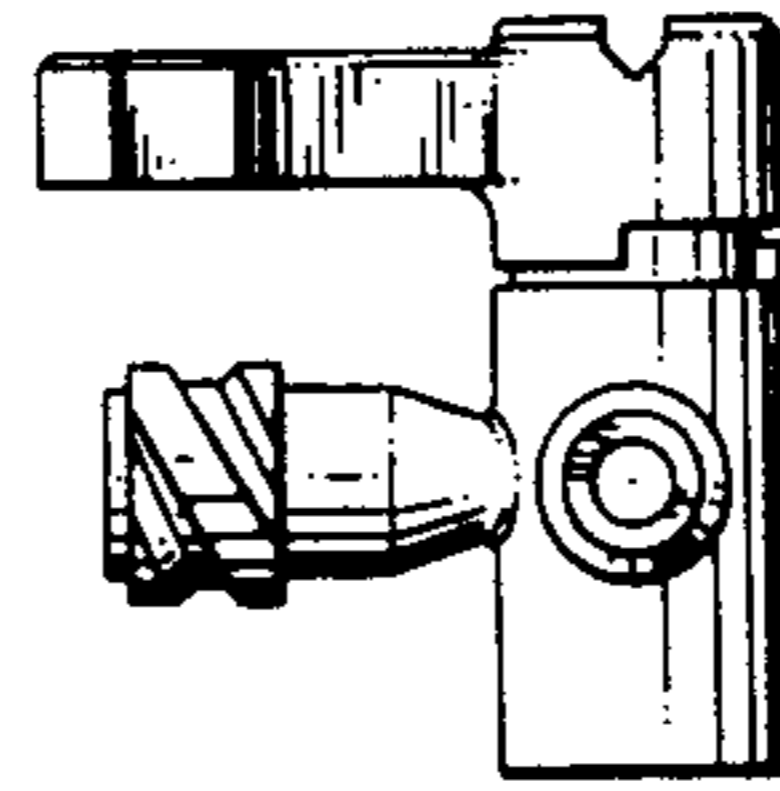


FIG. 5

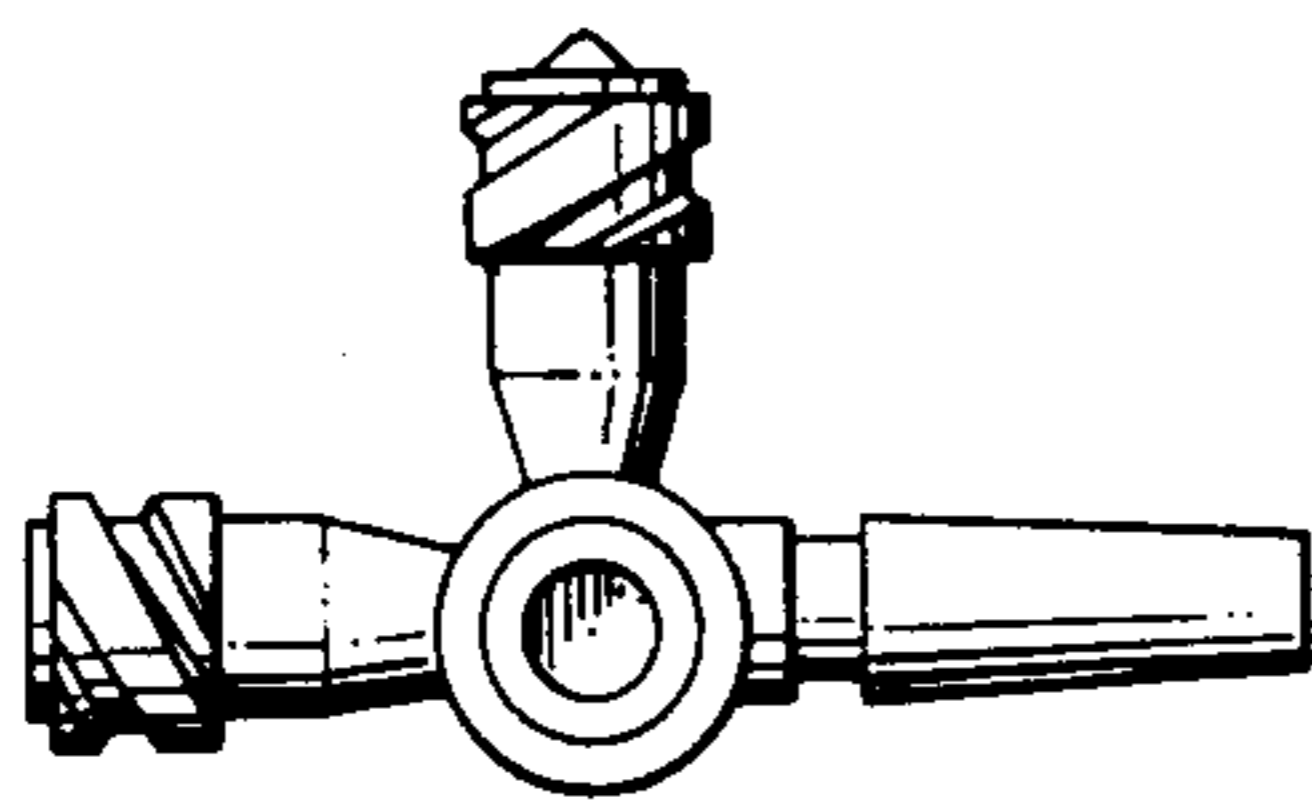


FIG. 6

