

[54] **ROOF STACK VENT**

[75] **Inventor:** Luther L. Roberts, North Plainfield, N.J.

[73] **Assignee:** GAF Corporation, New York, N.Y.

[**] **Term:** 14 Years

[21] **Appl. No.:** 10,411

[22] **Filed:** Feb. 8, 1979

[51] **Int. Cl.** D23—04
[52] **U.S. Cl.** D23/153
[58] **Field of Search** D23/153-154;
98/62, 81-84

[56]

References Cited

U.S. PATENT DOCUMENTS

D. 223,712	5/1972	Mason	D23/153
2,277,982	3/1942	Hosbein	98/83 X
2,741,972	4/1956	Pryne	98/42 X
3,345,932	10/1967	Saver	98/83
3,685,426	8/1972	Rosa	98/83

Primary Examiner—James R. Lergen
Attorney, Agent, or Firm—Walter C. Kehm

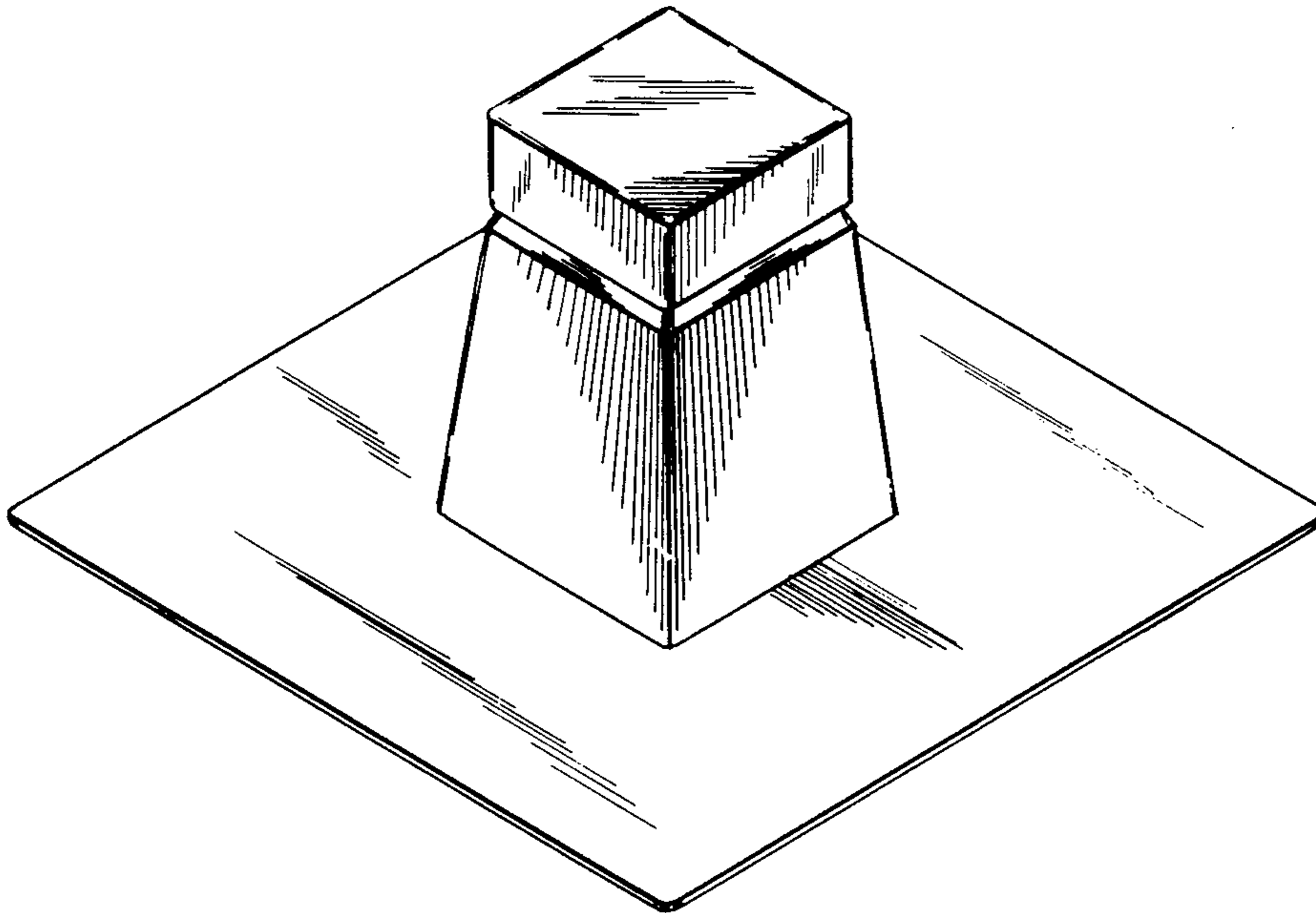
[57]

CLAIM

The ornamental design for a roof stack vent, substantially as shown and described.

DESCRIPTION

FIG. 1 is a perspective view of a roof stack vent showing my new design;
FIG. 2 is a top plan view thereof;
FIG. 3 is a bottom plan view thereof.



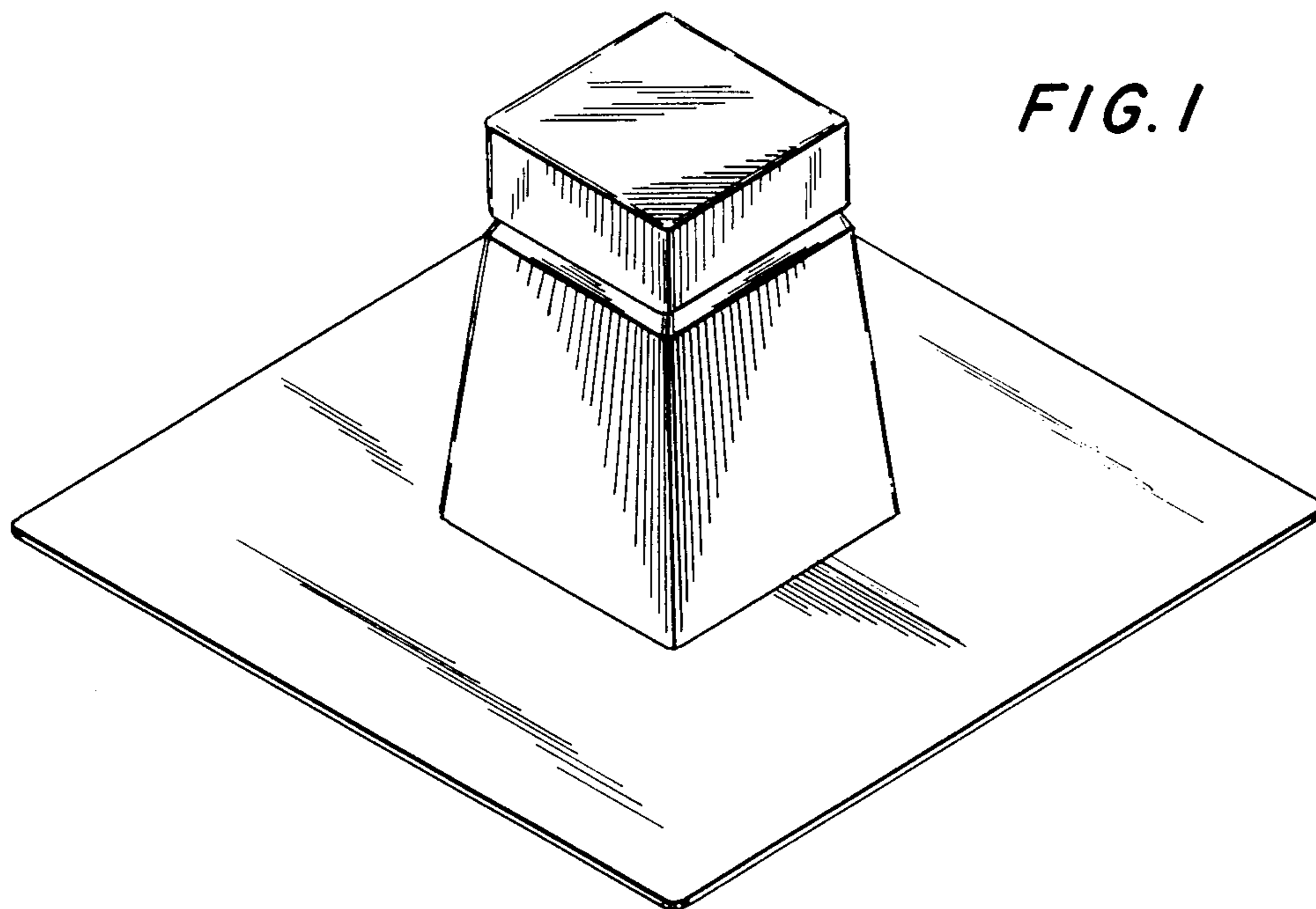


FIG. 1

FIG. 2

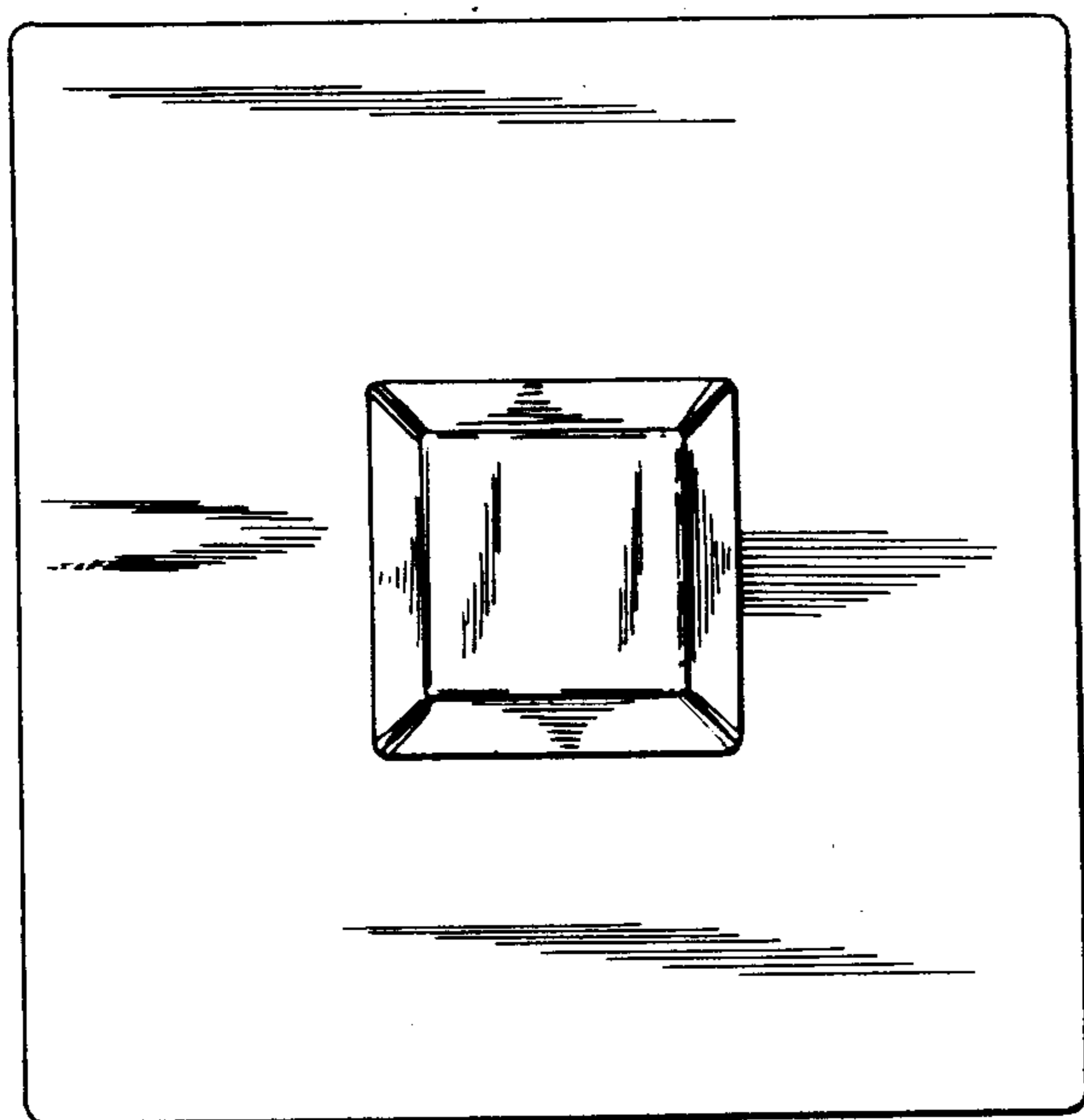


FIG. 3

