

[54] FOSSIL FUEL CATALYST GENERATOR

[75] Inventors: Robert Ganter, Mount Penn; Robert Whitmoyer, Selins Grove; Palle Rye, Shillington, all of Pa.

[73] Assignee: Thermics Corporation, Reading, Pa.

[\*\*] Term: 14 Years

[21] Appl. No.: 874,437

[22] Filed: Feb. 2, 1978

[51] Int. Cl. .... D23-03

[52] U.S. Cl. .... D23/127

[58] Field of Search ..... D23/72, 127, 129, 136, D23/146, 147, 148; 123/25 R, 25 A, 25 L, 25 E; 261/18 A; 431/4, 190

[56] References Cited

U.S. PATENT DOCUMENTS

D. 235,448	6/1975	Wentworth, Jr. ....	D23/147
3,767,172	10/1973	Mills .....	261/18 A
3,790,139	2/1974	Stephenson et al. ....	261/18 A
3,862,819	1/1975	Wentworth, Jr. ....	431/4
4,016,837	4/1977	Wentworth, Jr. ....	123/25 R

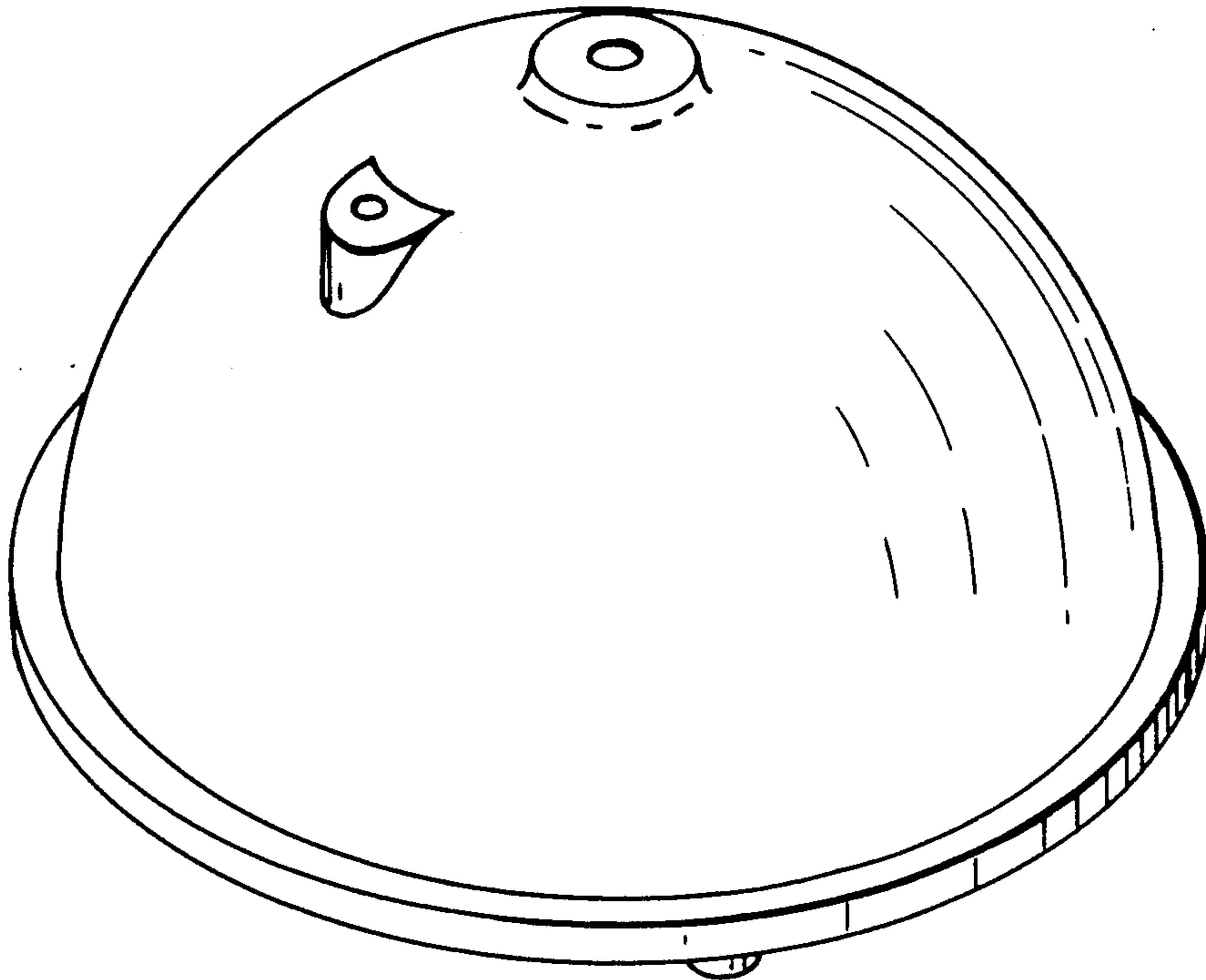
Primary Examiner—Catherine E. Kemper  
Attorney, Agent, or Firm—Arthur H. Seidel

[57] CLAIM

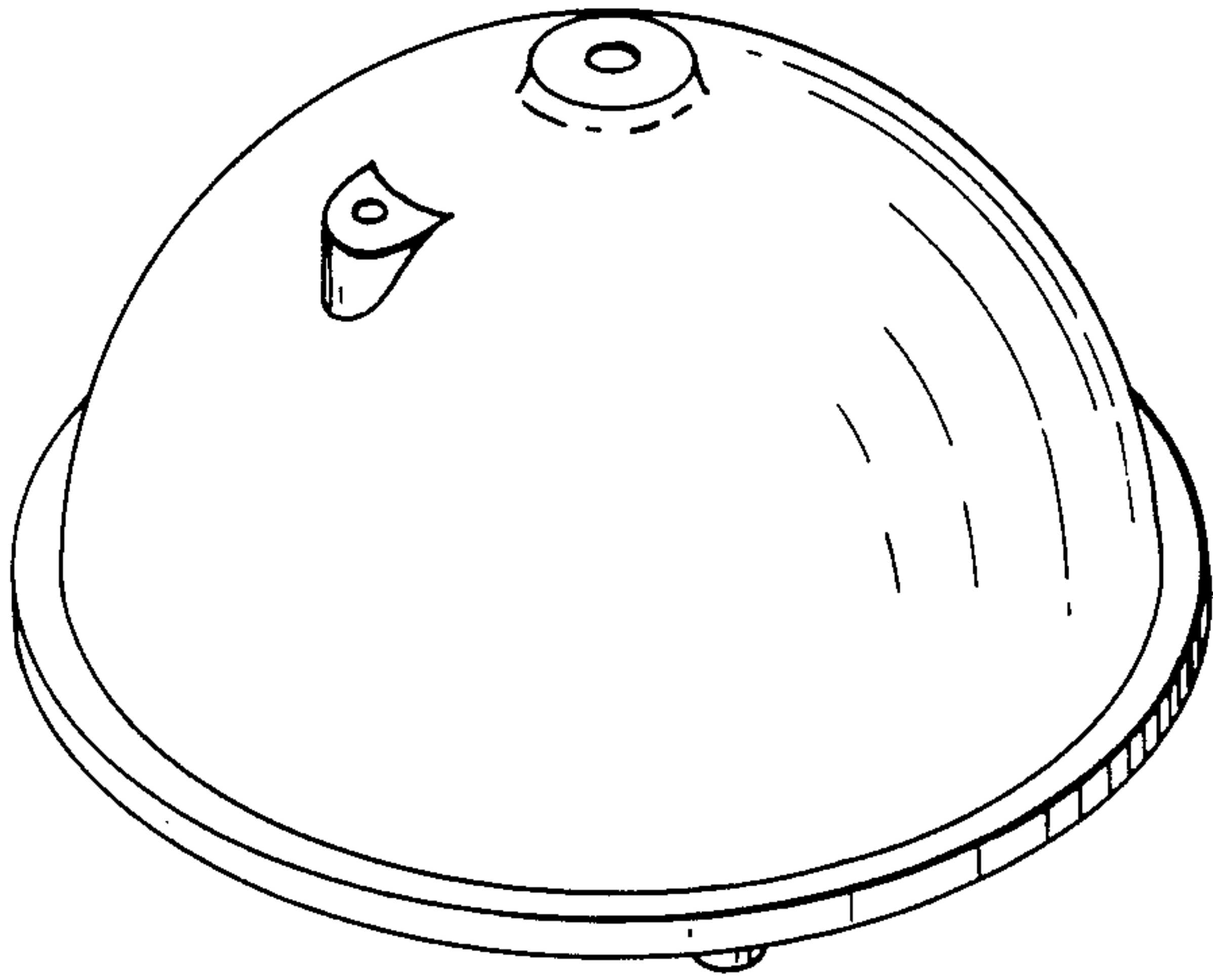
The ornamental design for a fossil fuel catalyst generator, substantially as shown and described.

DESCRIPTION

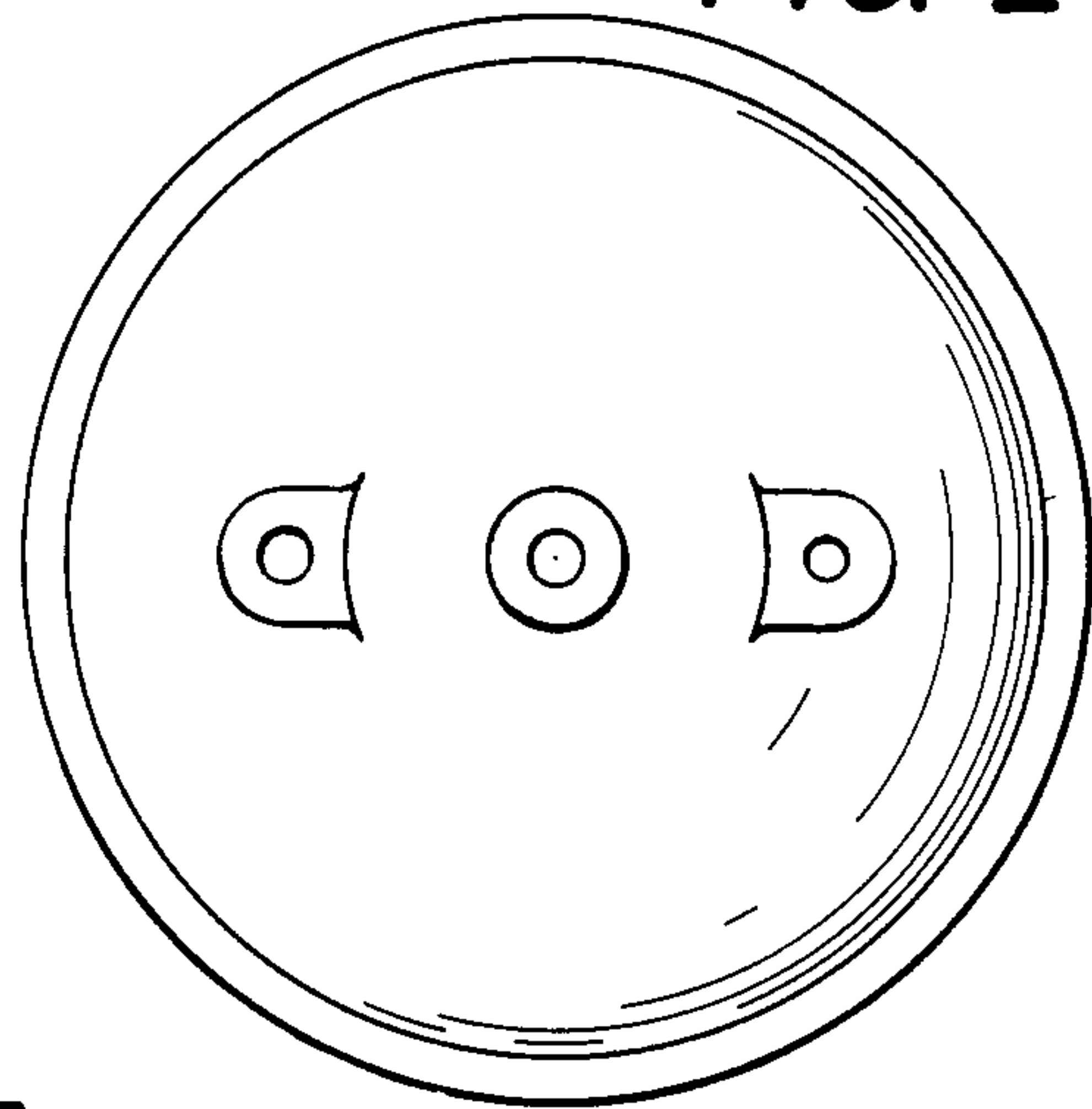
FIG. 1 is a top perspective view of a fossil fuel catalyst generator, showing our new design; FIG. 2 is a top plan view thereof; FIG. 3 is a front elevational view thereof; FIG. 4 is a side elevational view thereof; and FIG. 5 is a bottom plan view thereof.



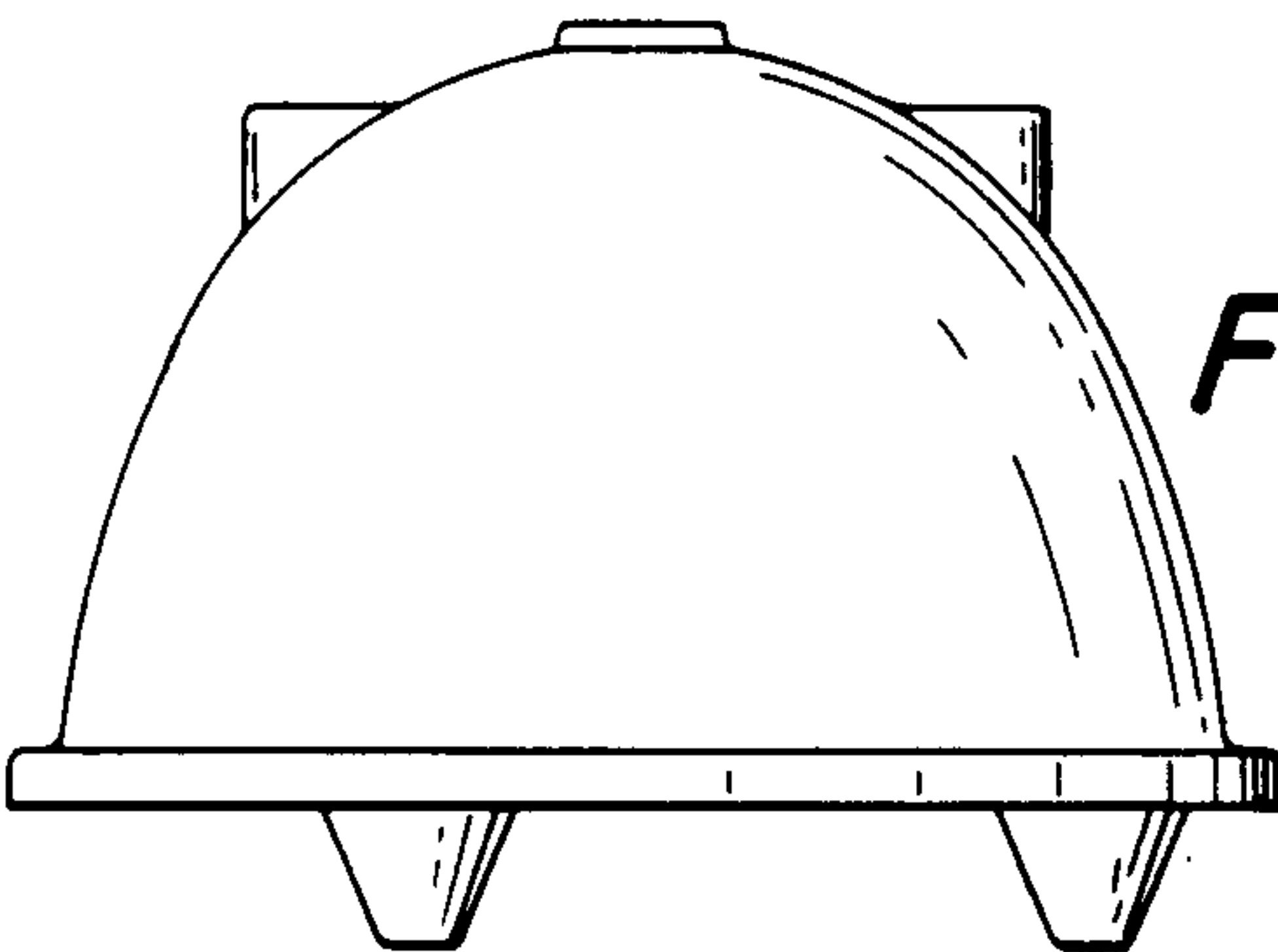
**FIG. 1**



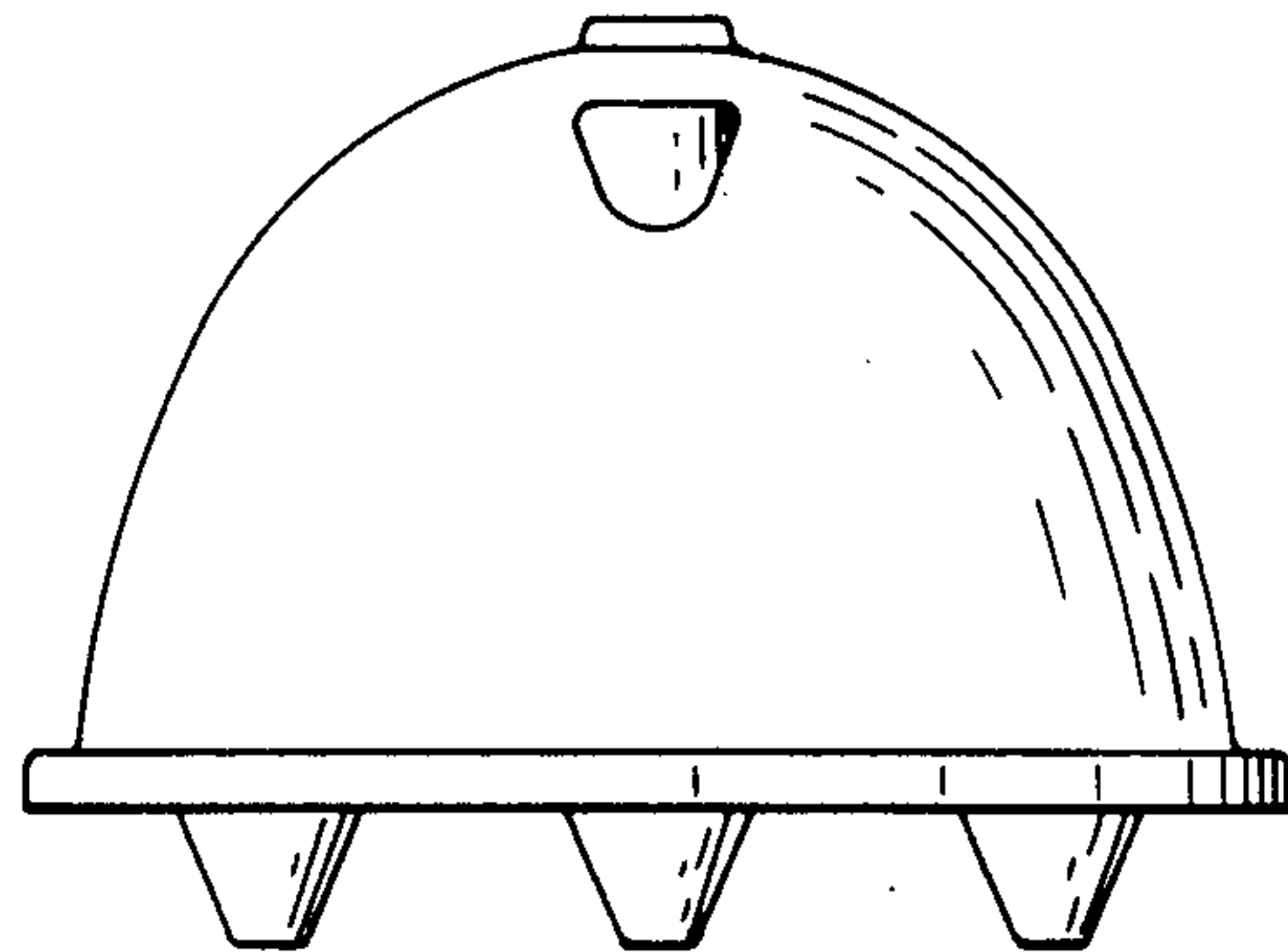
**FIG. 2**



**FIG. 3**



**FIG. 4**



**FIG. 5**

