

[54] FIREPLACE STOVE

[76] Inventor: Michael A. Sands, 68 Ehret Ave.,  
Harrington Park, N.J. 07640

[\*\*] Term: 14 Years

[21] Appl. No.: 947,959

[22] Filed: Oct. 2, 1978

[51] Int. Cl. .... D23-03

[52] U.S. Cl. .... D23/97

[58] Field of Search ..... D23/72, 77, 92, 93,  
D23/94, 95, 96, 97, 105; 126/4.6, 58, 59, 60, 61,  
62, 63, 64, 65, 120, 121, 123, 126, 138

[56] References Cited

U.S. PATENT DOCUMENTS

- D. 170,927 11/1953 Kosmak ..... D23/97
- D. 179,312 11/1956 Pierce et al. .... D23/97

- D. 201,266 6/1965 Rose ..... D23/97
- D. 219,655 1/1971 Salvador ..... D23/97
- D. 241,548 9/1976 Rheingold et al. .... D23/97
- D. 244,199 5/1977 Davis ..... D23/97

Primary Examiner—Catherine E. Kemper  
Attorney, Agent, or Firm—Albert P. Halluin

[57] CLAIM

The ornamental design for a fireplace stove, as shown and described.

DESCRIPTION

FIG. 1 is a top front perspective view of a fireplace stove, showing my new design;  
FIG. 2 is a rear elevational view thereof;  
FIG. 3 is a top plan view thereof;  
FIG. 4 is a front elevational view thereof;  
FIG. 5 is a right side elevational view, the left side being a mirror image thereof.

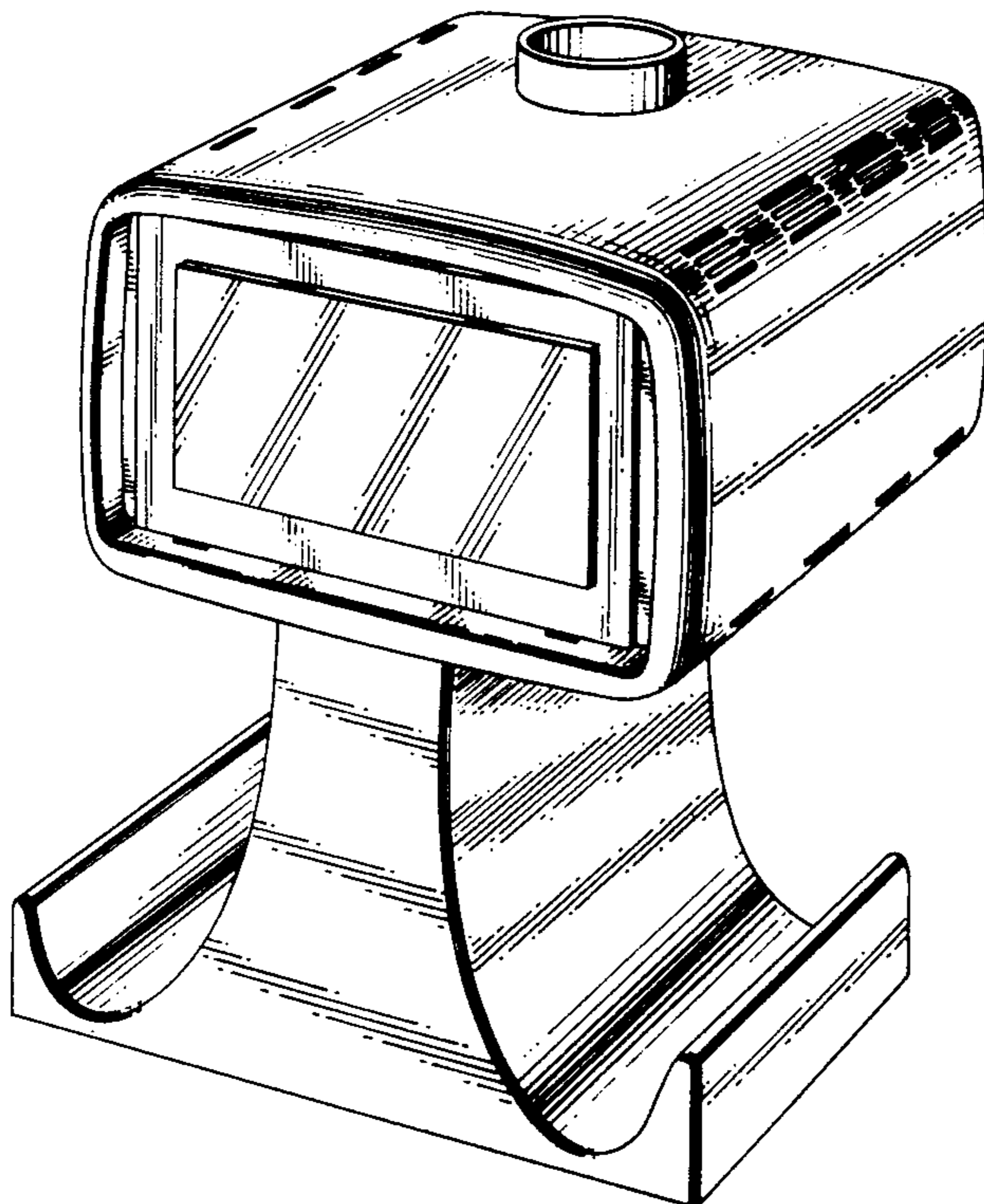


Fig. 1

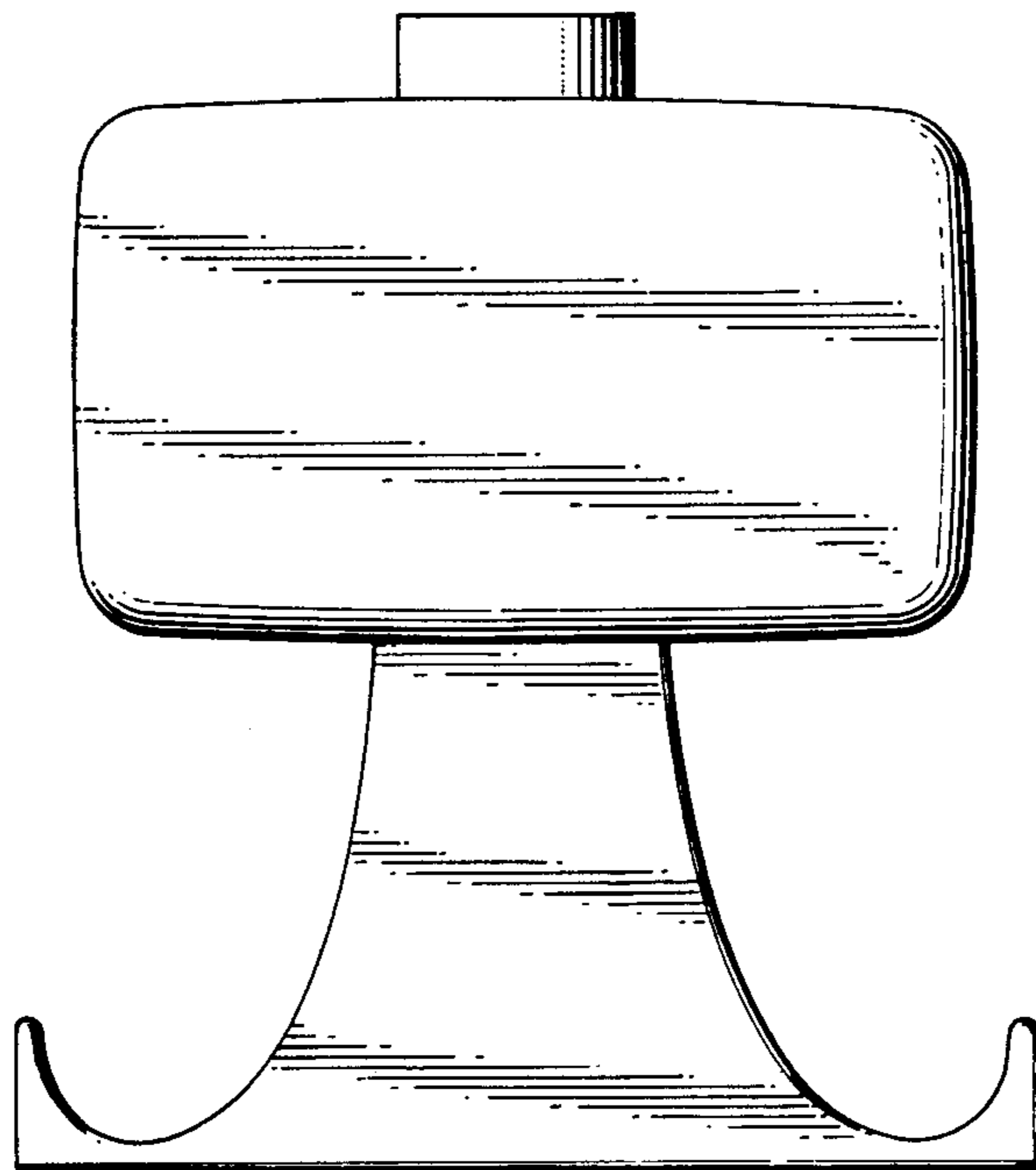
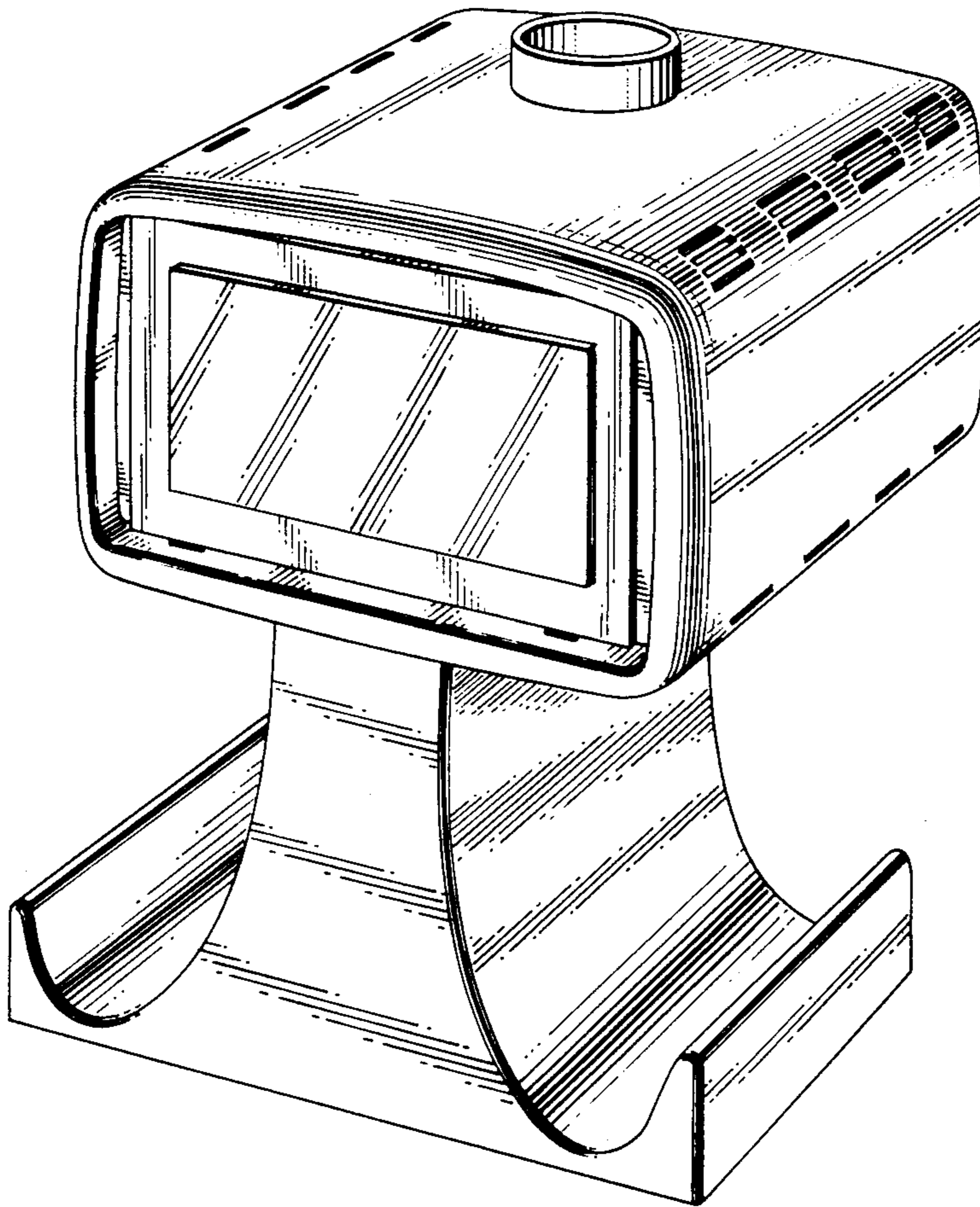


Fig. 2

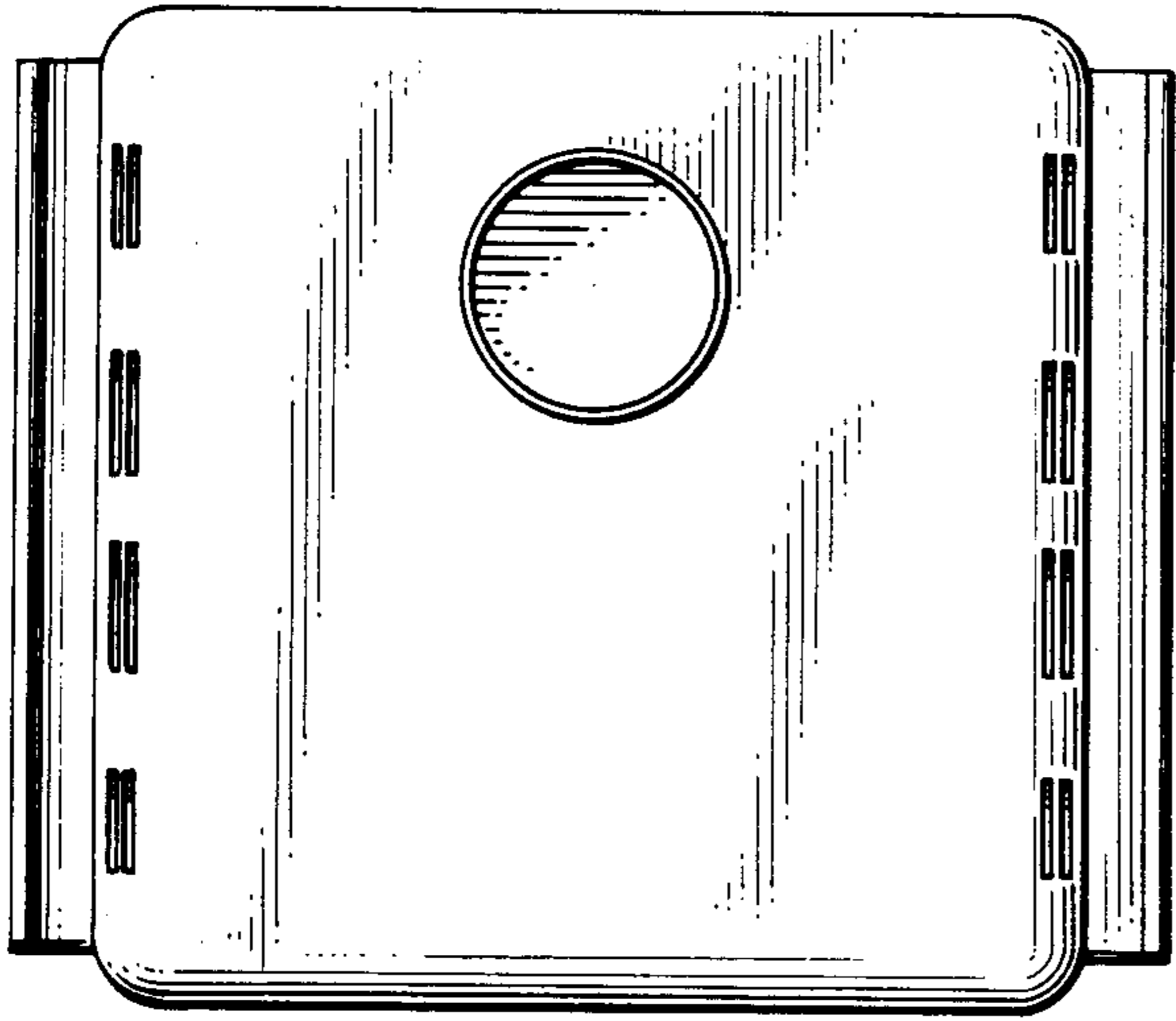


Fig. 3

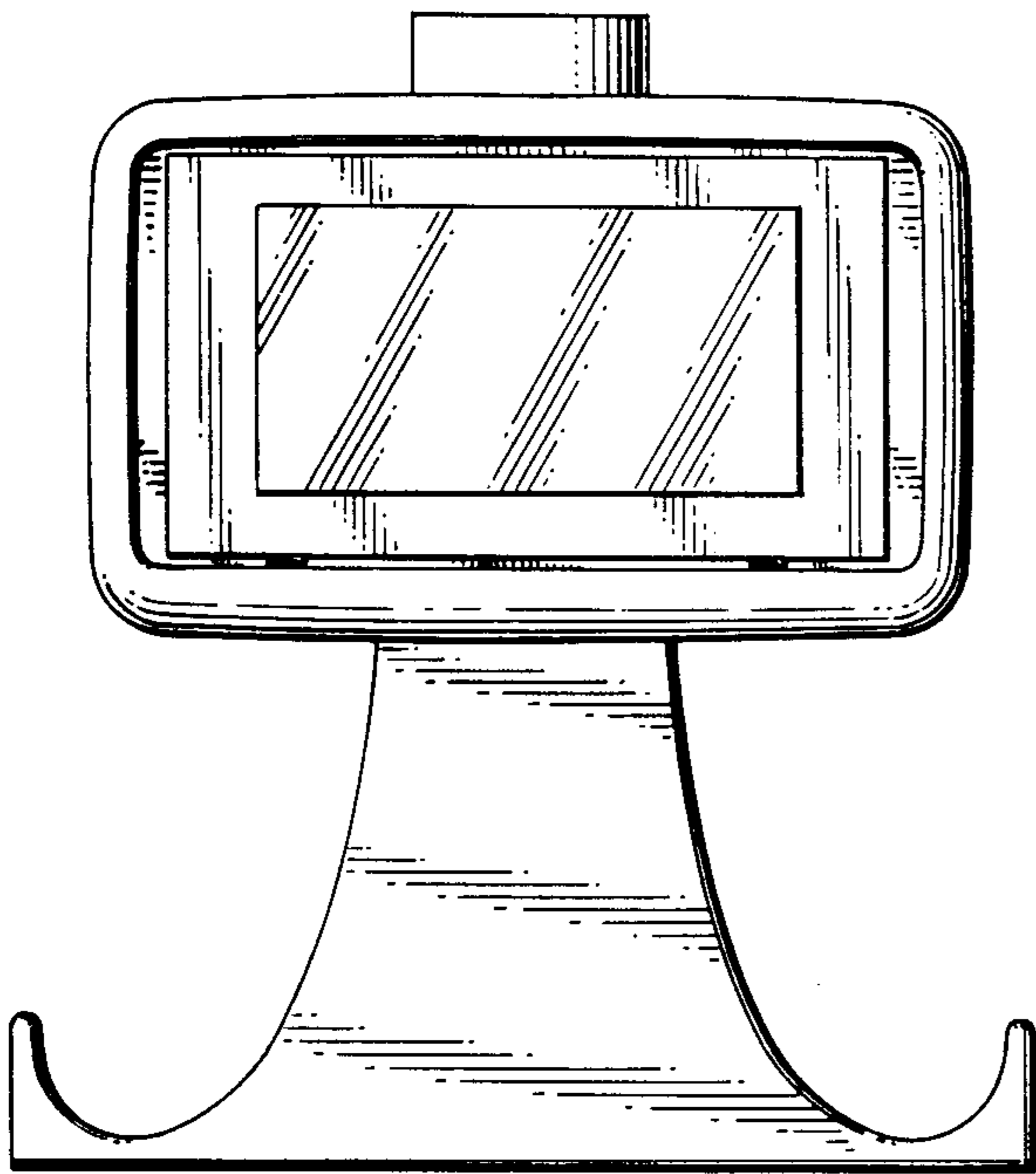


Fig. 4

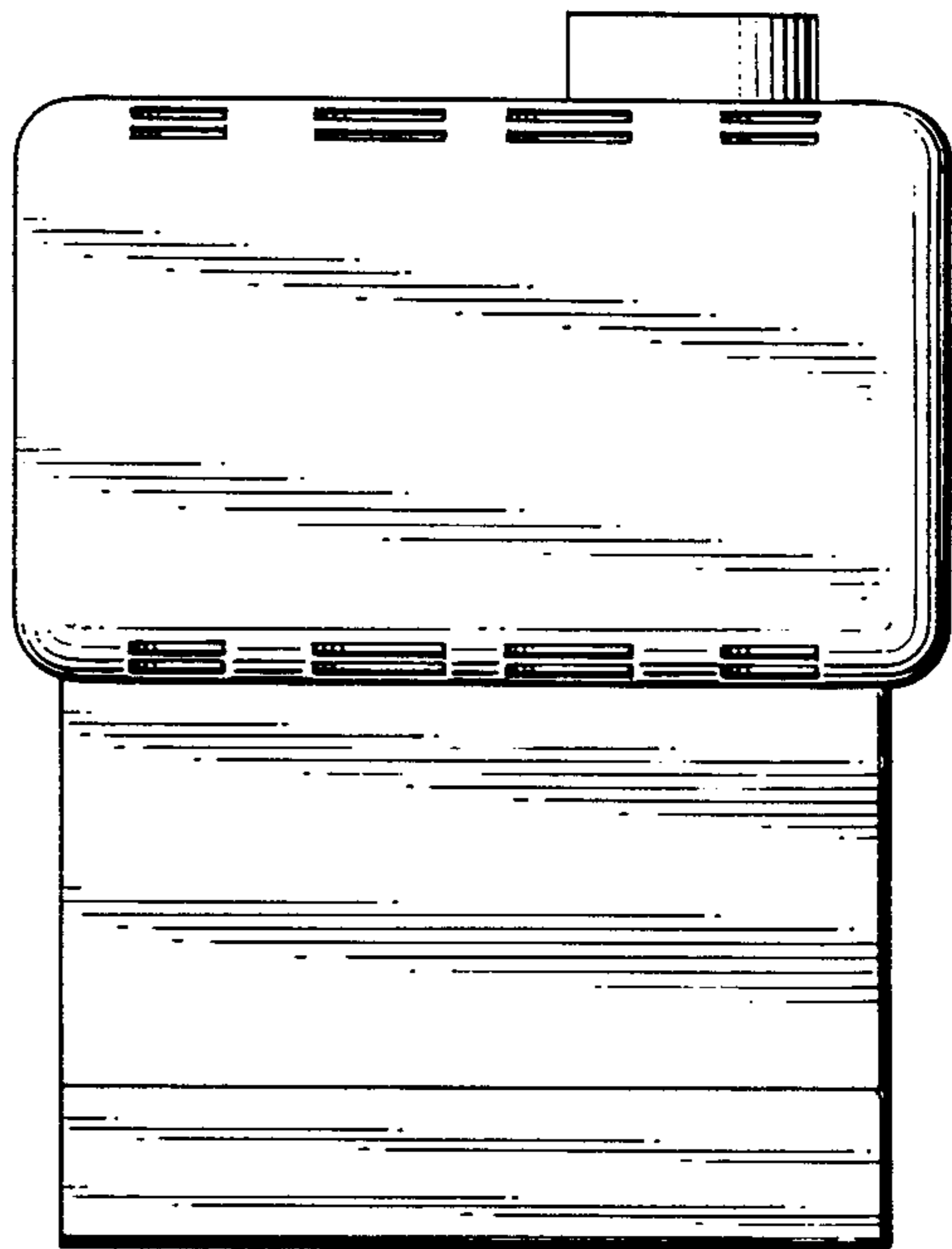


Fig. 5