

[54] TOY FIGURE

[75] Inventors: Lawrence T. Jones, Playa Del Rey;
Robert S. Lee, Westlake, both of Calif.

[73] Assignee: California R & D Center

[**] Term: 14 Years

[21] Appl. No.: 8,548

[22] Filed: Feb. 2, 1979

[51] Int. Cl. D21-01
[52] U.S. Cl. D21/166; D21/150
[58] Field of Search D21/166, 150, 172;
46/115, 119

[56]

References Cited

U.S. PATENT DOCUMENTS

D. 197,288 1/1964 Campbell D21/150
D. 246,200 10/1977 Ogawa D21/150

OTHER PUBLICATIONS

Playthings, Aug., 1977, p. 55, Shogun Warriors.

Primary Examiner—Melvin B. Feifer

Attorney, Agent, or Firm—Harold L. Jackson

[57]

CLAIM

The ornamental design for a toy figure, substantially as shown and described.

DESCRIPTION

FIG. 1 is a front view of a toy figure showing our new design;

FIG. 2 is a side view that is representative of both the left and right side of the toy figure;

FIG. 3 is a rear view, and

FIG. 4 is a plan view.

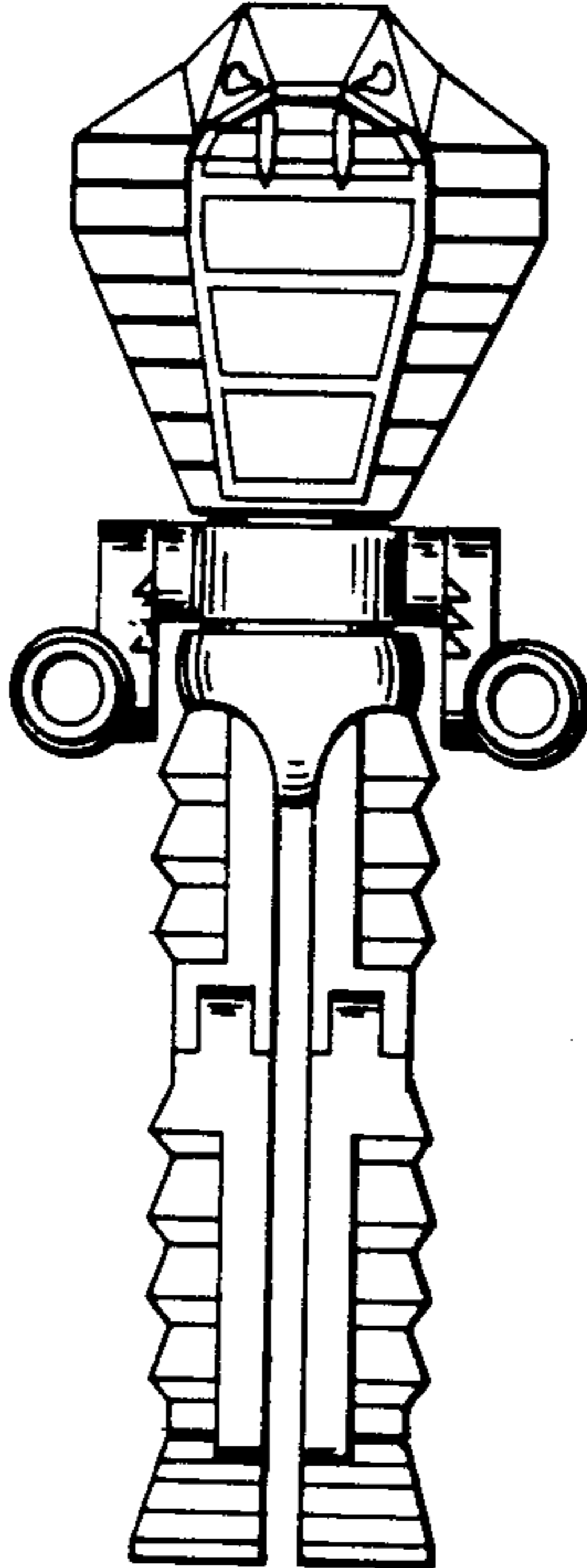


FIG. 1

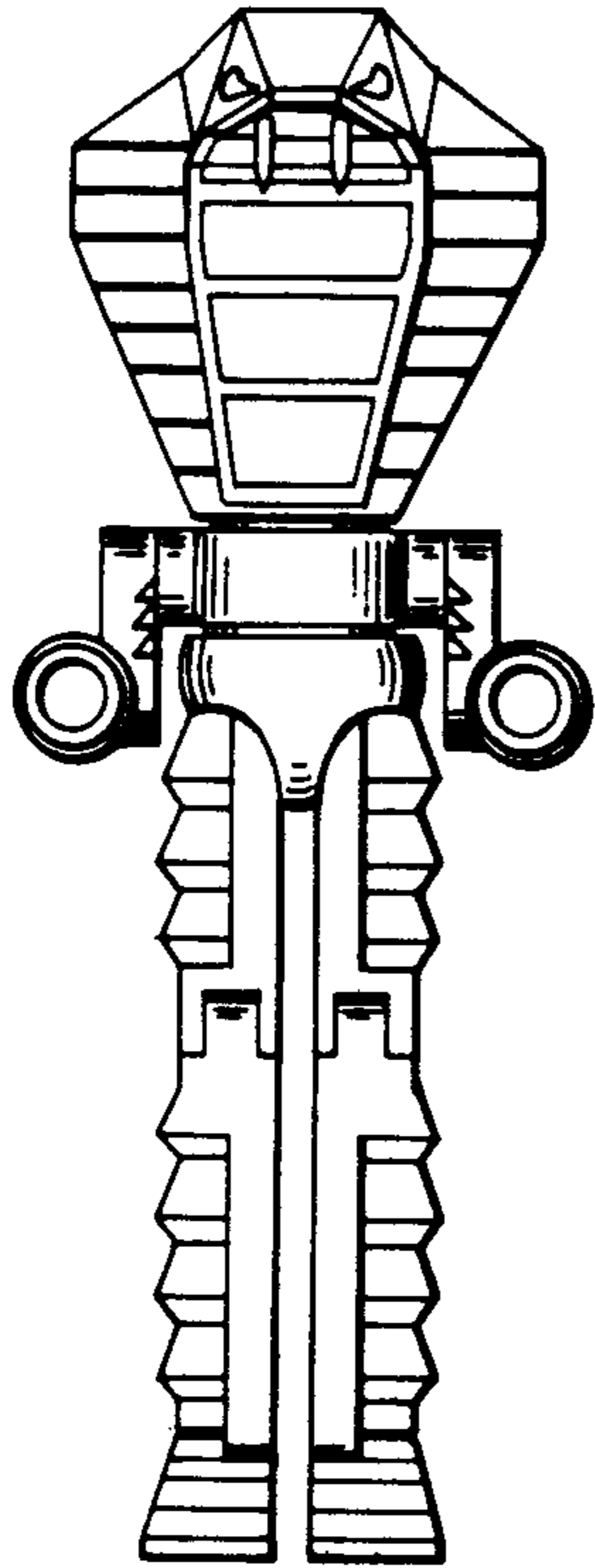


FIG. 2

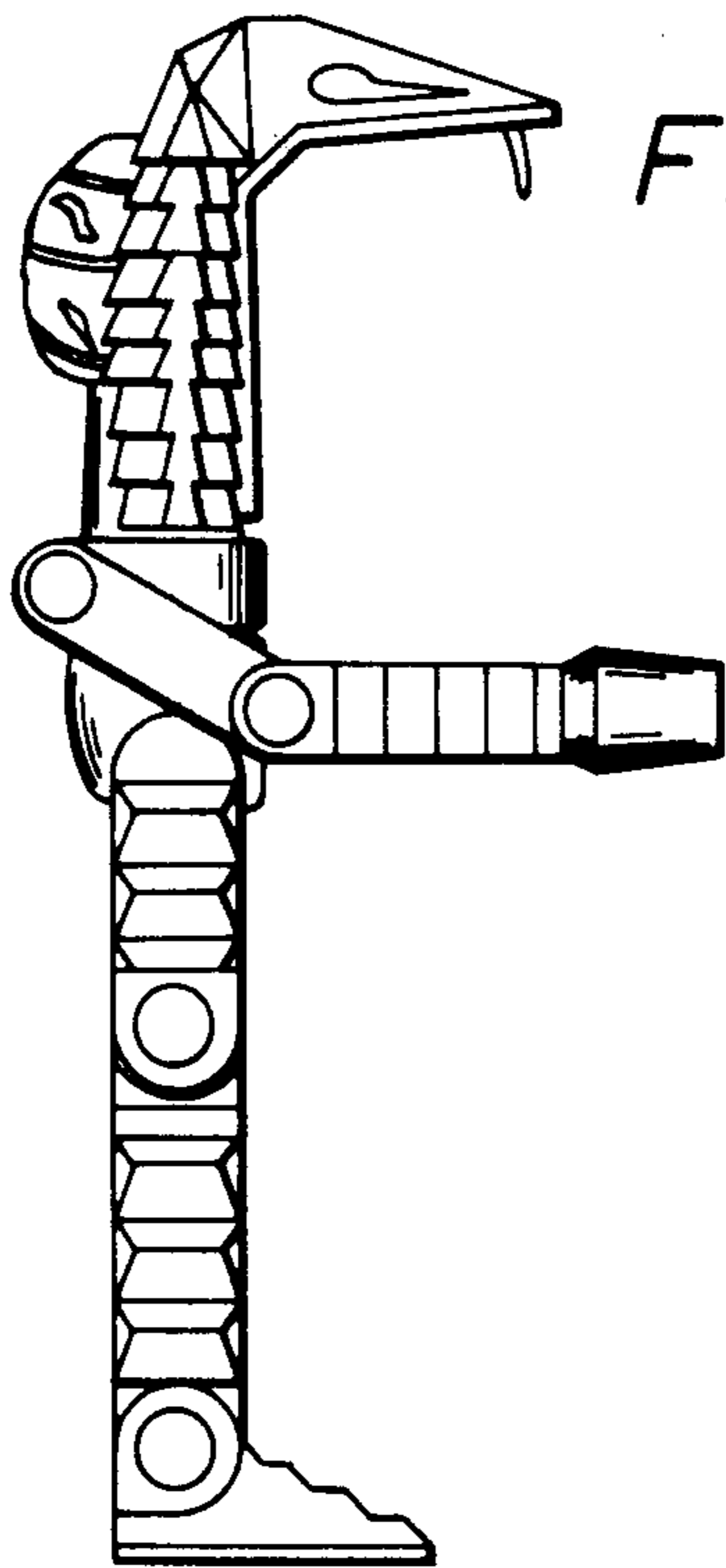
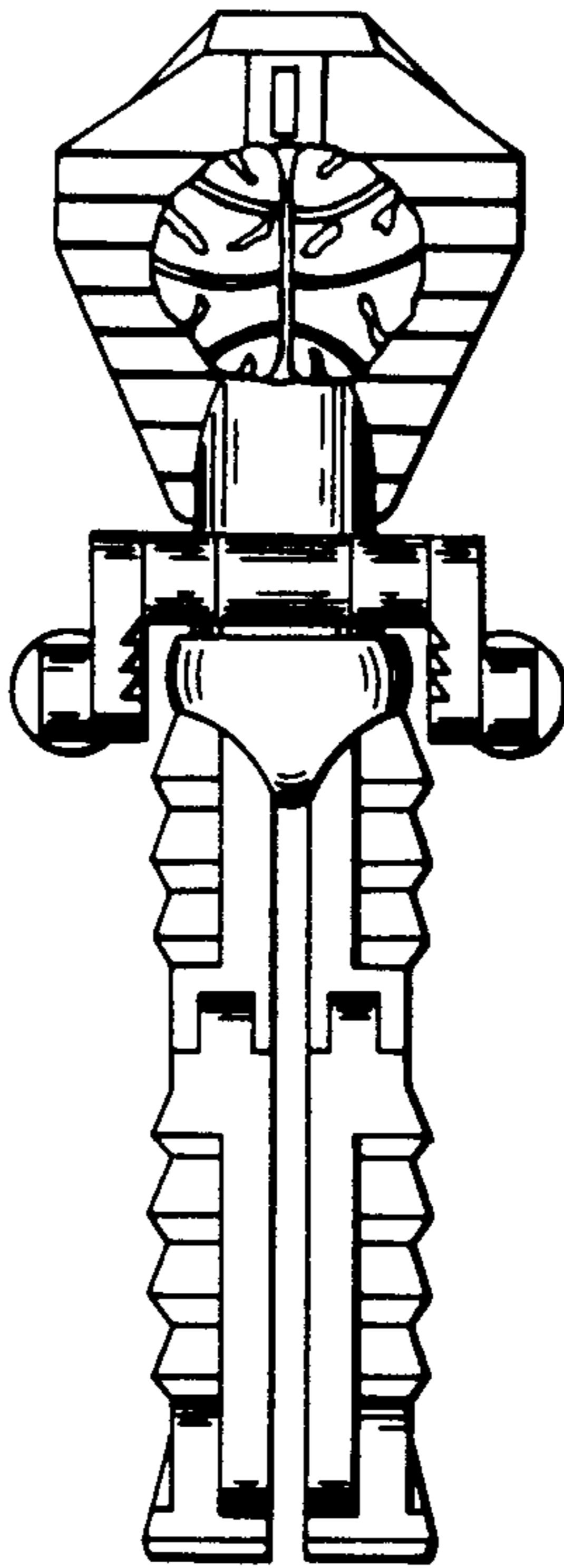


FIG. 3

FIG. 4

