

[54] **CAMERA TRIPOD**

[75] **Inventor:** Yoshio Shinohara, Niiza, Japan

[73] **Assignee:** Slik Tripod Co., Ltd., Saitama, Japan

[\*\*] **Term:** 14 Years

[21] **Appl. No.:** 919,720

[22] **Filed:** Jun. 27, 1978

[30] **Foreign Application Priority Data**

Feb. 24, 1978 [JP] Japan ..... 53-6497

[51] **Int. Cl.** ..... D16-05

[52] **U.S. Cl.** ..... D16/45

[58] **Field of Search** ..... D16/44, 45, 46; 354/80,  
354/81, 82, 293; 248/163, 166, 168, 169, 176,  
188.1, 188.6, 188.7

[56] **References Cited**

**FOREIGN PATENT DOCUMENTS**

7506218 1/1976 Netherlands ..... 248/169

*Primary Examiner*—Catherine E. Kemper  
*Attorney, Agent, or Firm*—Robert D. Flynn

[57] **CLAIM**

The ornamental design for camera tripod or the like, substantially as shown and described.

**DESCRIPTION**

FIG. 1 is a perspective view of a camera tripod or the like showing my new design, in which each leg is in retracted position;

FIG. 2 is a perspective view thereof, in which each leg is in partially extended position;

FIG. 3 is a front view of the camera tripod in FIG. 1;

FIG. 4 is a right side view of the camera tripod in FIG. 1;

FIG. 5 is a top plan view of the camera tripod in FIG. 1; and

FIG. 6 is a bottom plan view of the camera tripod in FIG. 1.

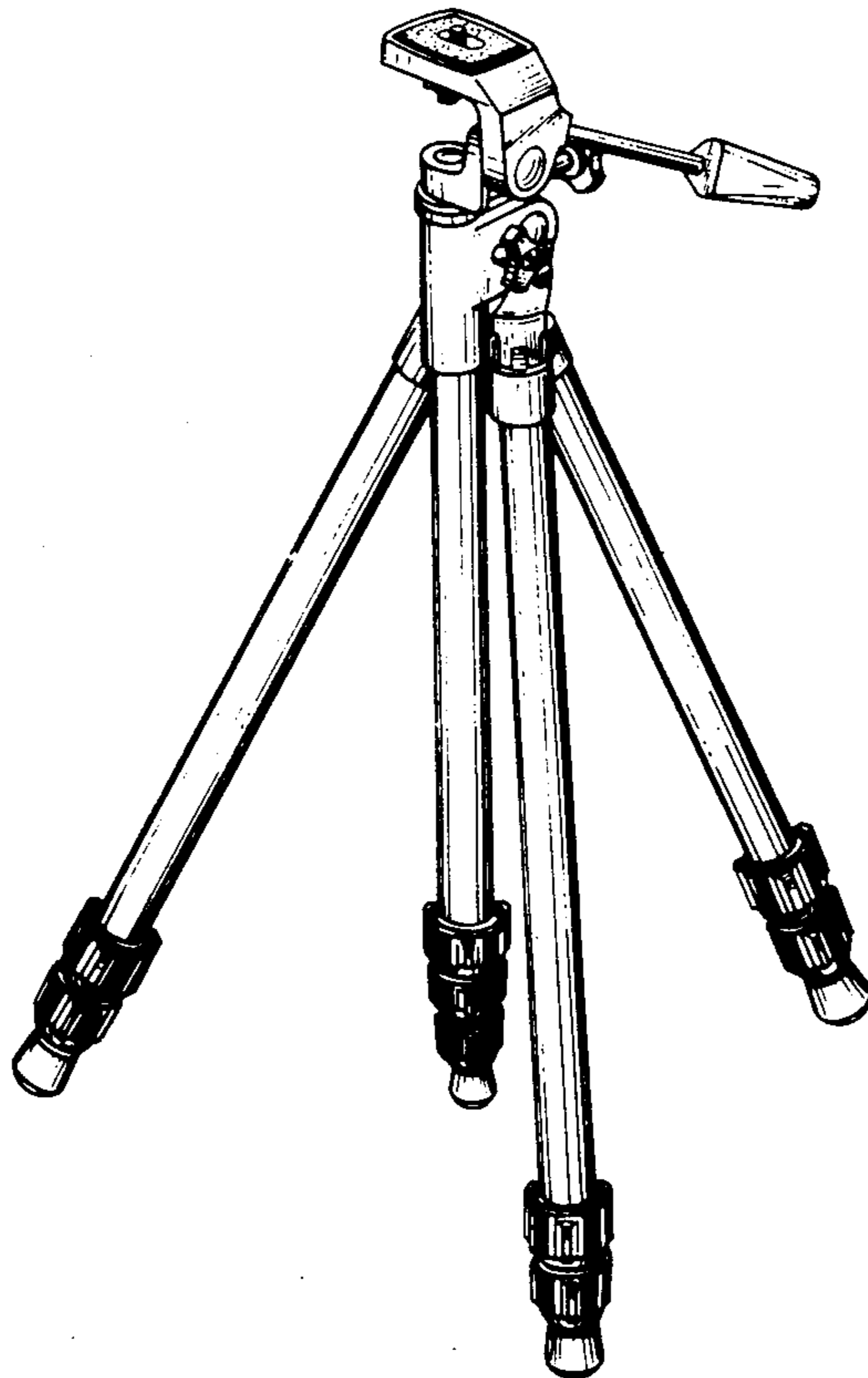


FIG. 1

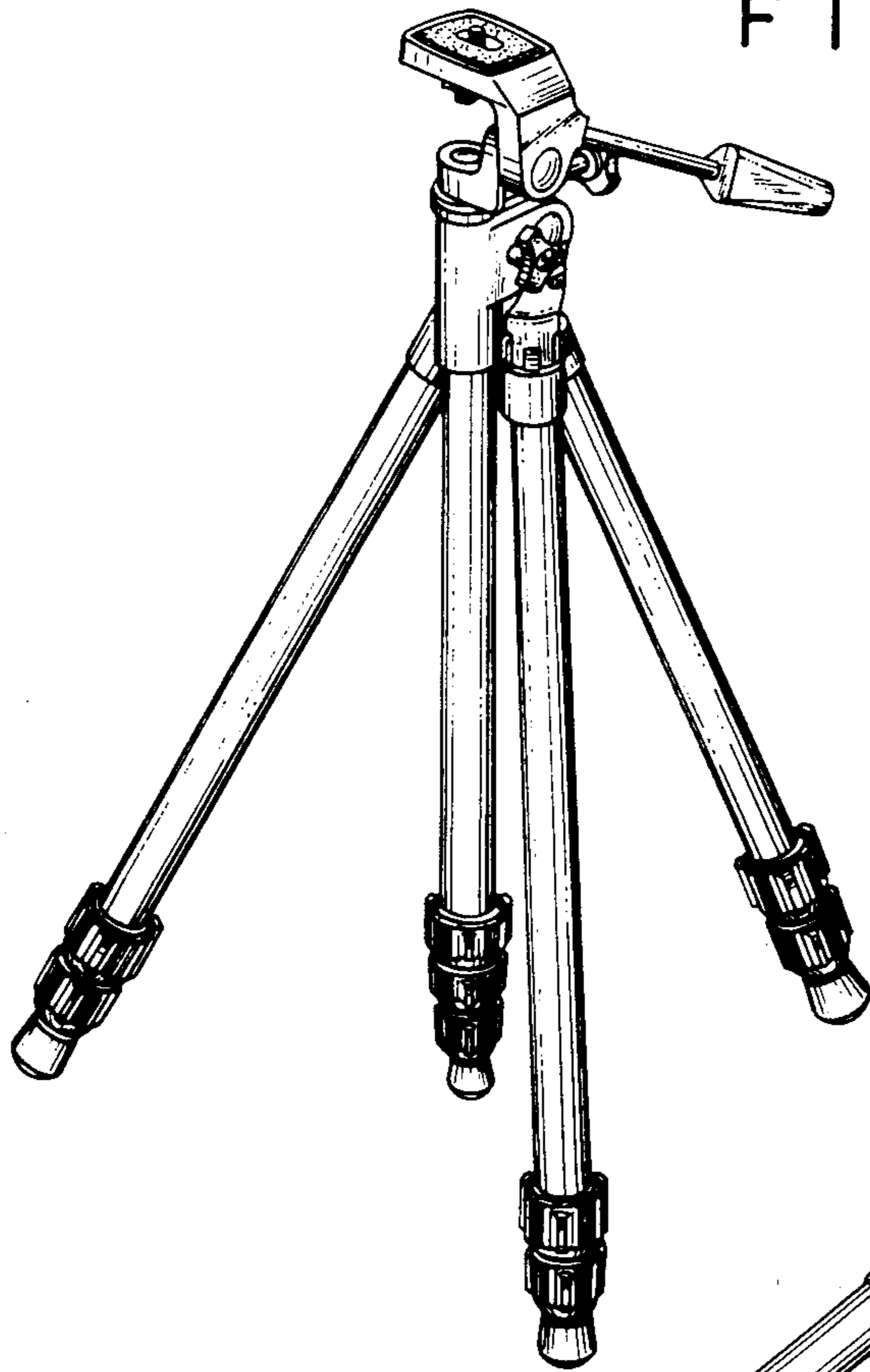


FIG. 2

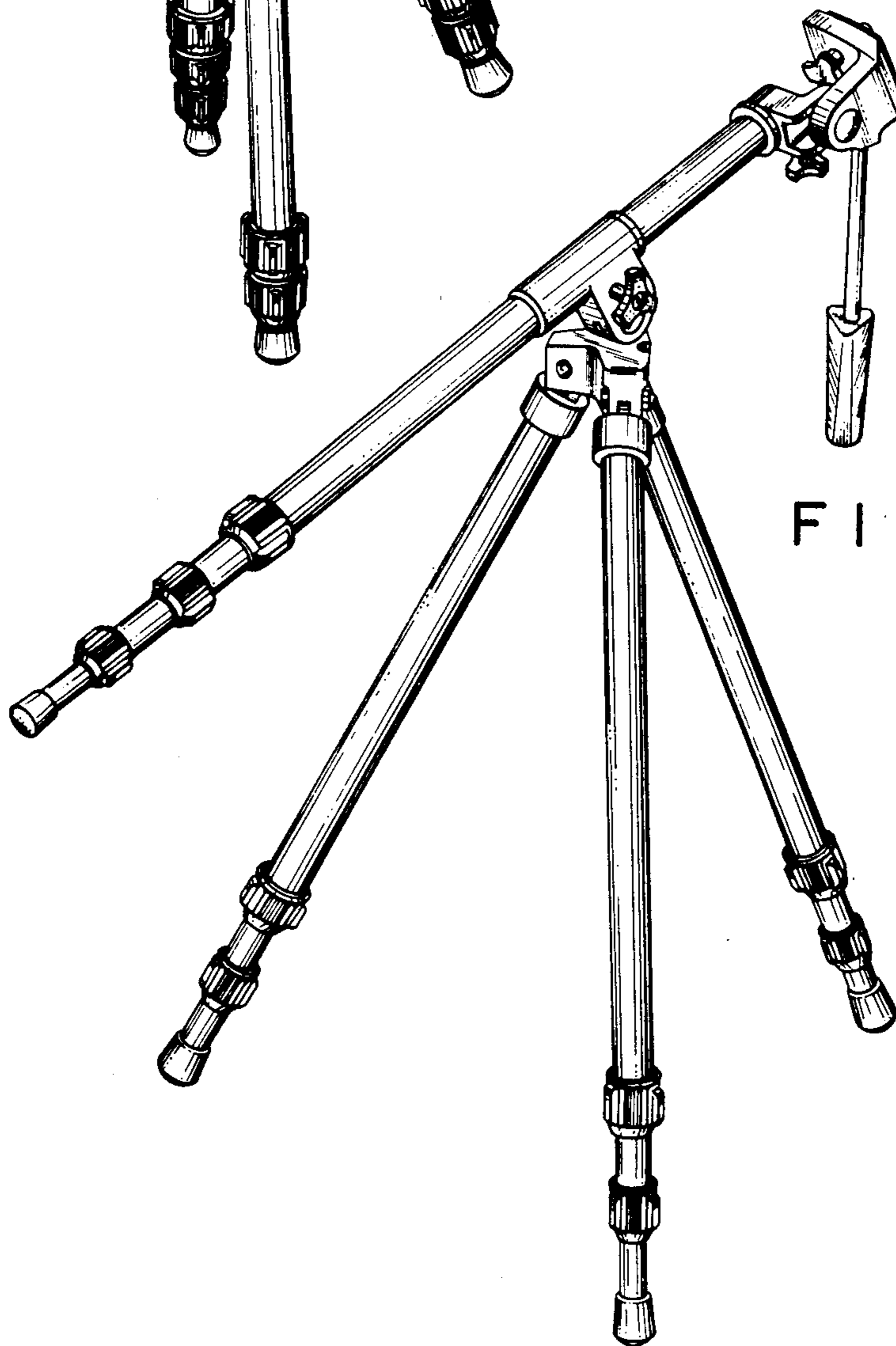


FIG. 3

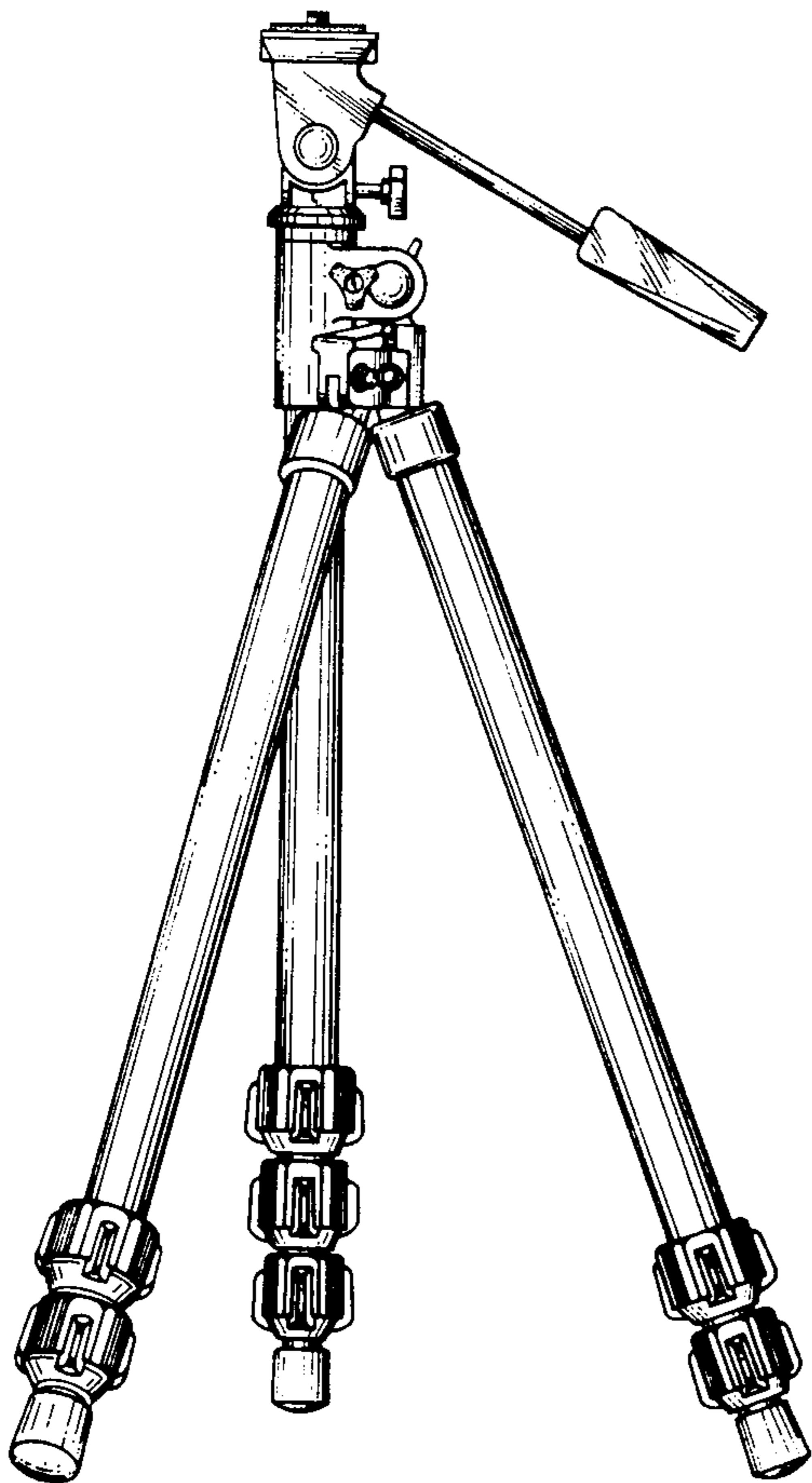
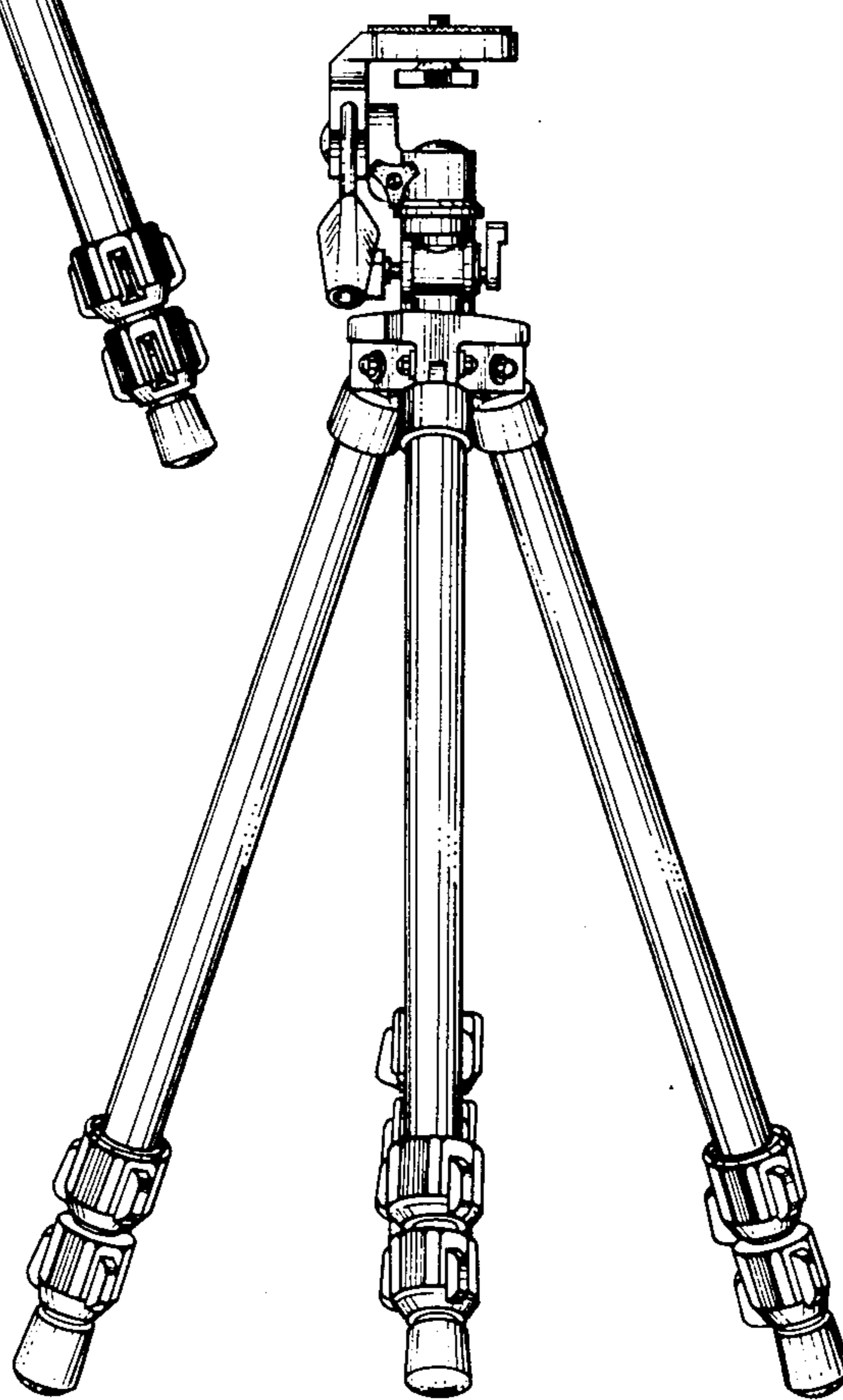
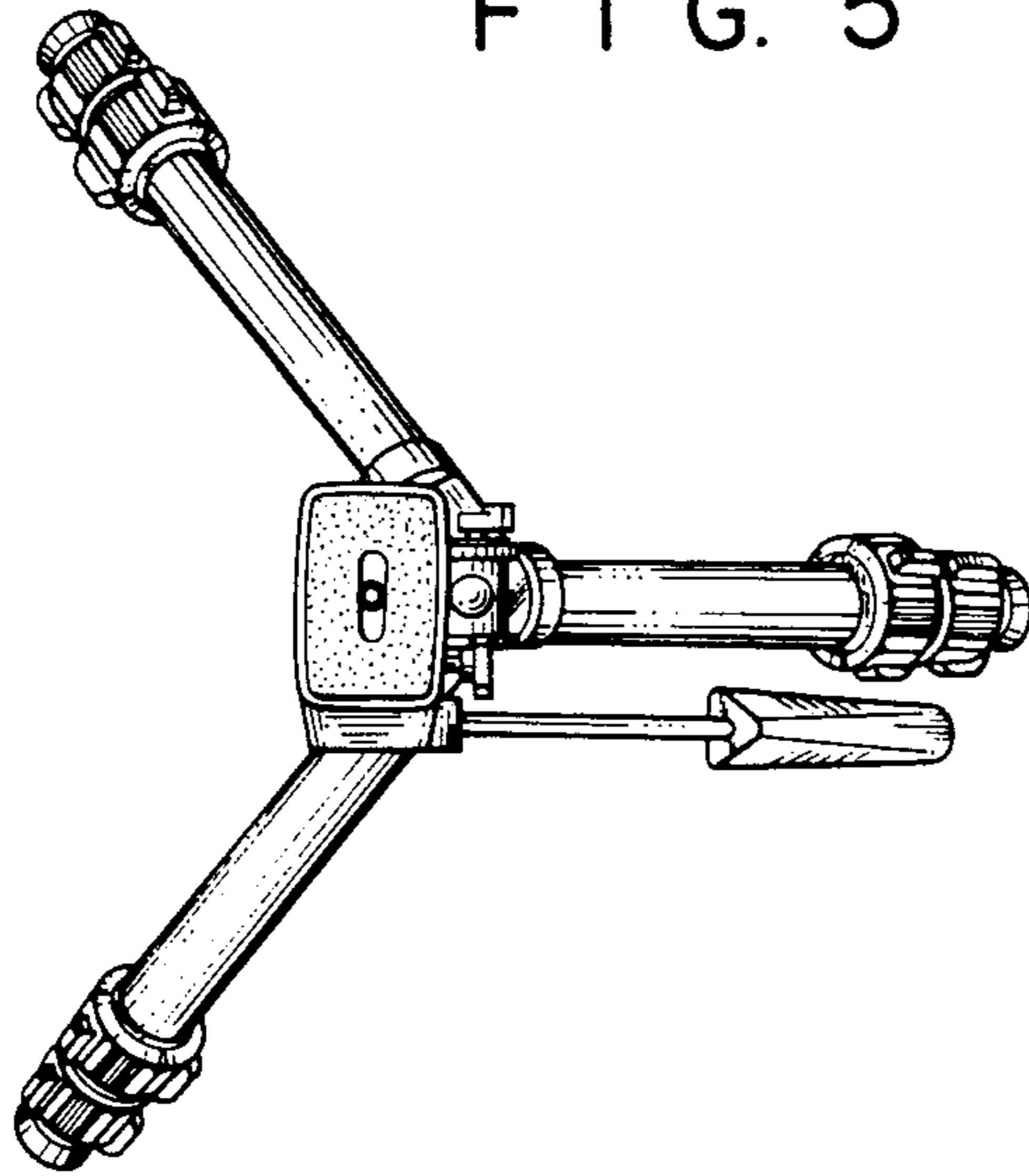


FIG. 4



F I G. 5



F I G. 6

