

[54] MOVIE CAMERA

[75] Inventors: Norbert Schlagheck; Herbert Schultes, both of Fuerstenfeldbruck, Fed. Rep. of Germany

[73] Assignee: AGFA-Gevaert AG, Leverkusen, Fed. Rep. of Germany

[\*\*] Term: 14 Years

[21] Appl. No.: 895,659

[22] Filed: Apr. 12, 1978

[30] Foreign Application Priority Data  
Oct. 13, 1977 [DE] Fed. Rep. of Germany ..... 5526149

[51] Int. Cl. .... D16-01

[52] U.S. Cl. .... D16/04

[58] Field of Search ..... D16/1-10;  
352/72-77, 166, 242; 354/126, 145

[56] References Cited

U.S. PATENT DOCUMENTS

D. 201,527 6/1965 Kubnick ..... D16/3  
3,314,344 4/1967 Anwyl et al. .... 352/72 X

FOREIGN PATENT DOCUMENTS

2430540 1/1975 Fed. Rep. of Germany ..... 352/72

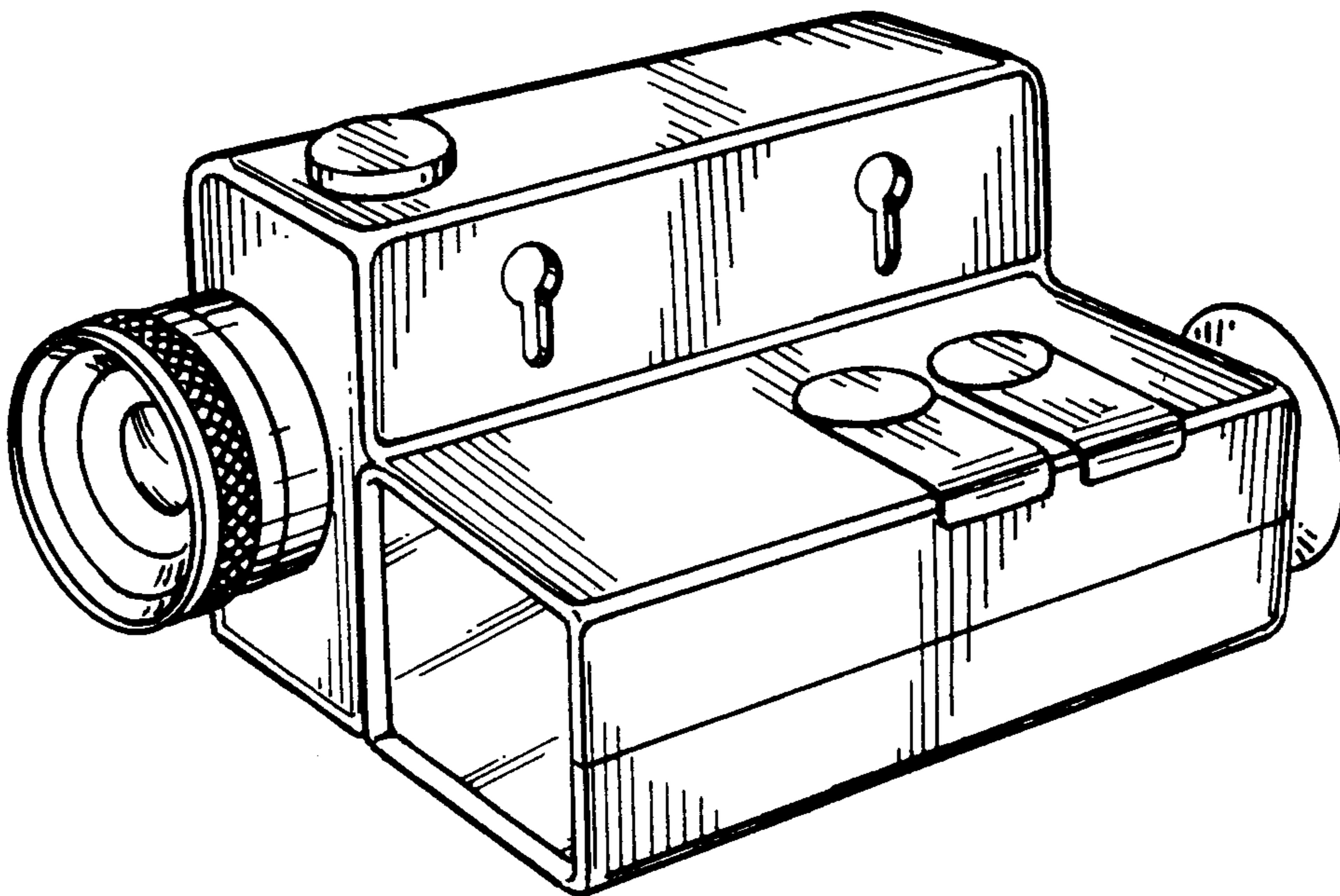
Primary Examiner—Catherine E. Kemper  
Attorney, Agent, or Firm—Michael J. Striker

[57] CLAIM

The ornamental design for a movie camera, substantially as shown and described.

DESCRIPTION

FIG. 1 is a perspective view of our movie camera, showing our new design;  
FIG. 2 is a left side elevational view thereof;  
FIG. 3 is a right side elevational view thereof;  
FIG. 4 is a front elevational view thereof;  
FIG. 5 is a rear elevational view thereof;  
FIG. 6 is a top plan view thereof; and  
FIG. 7 is a bottom plan view thereof.



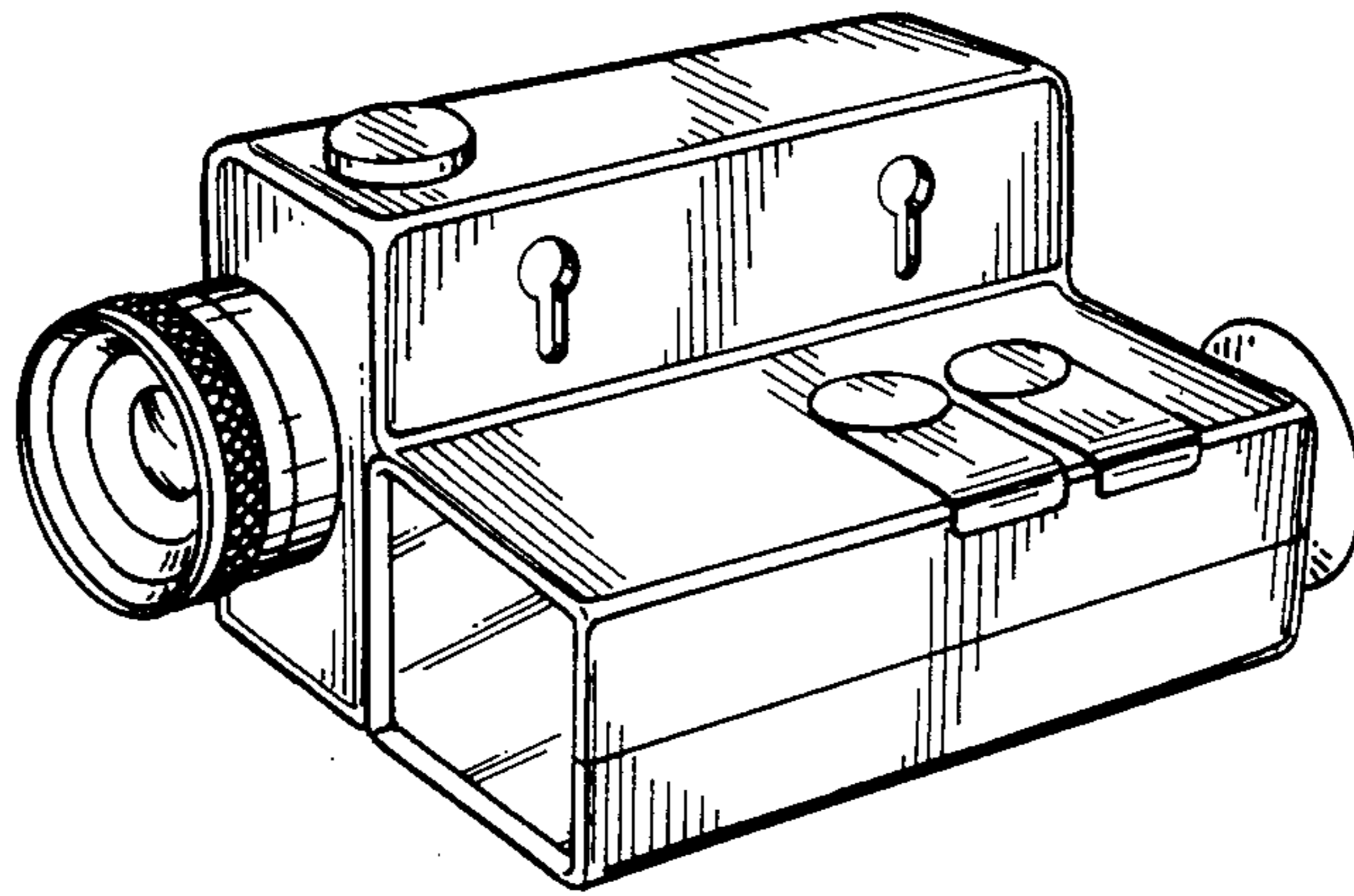


FIG. 1

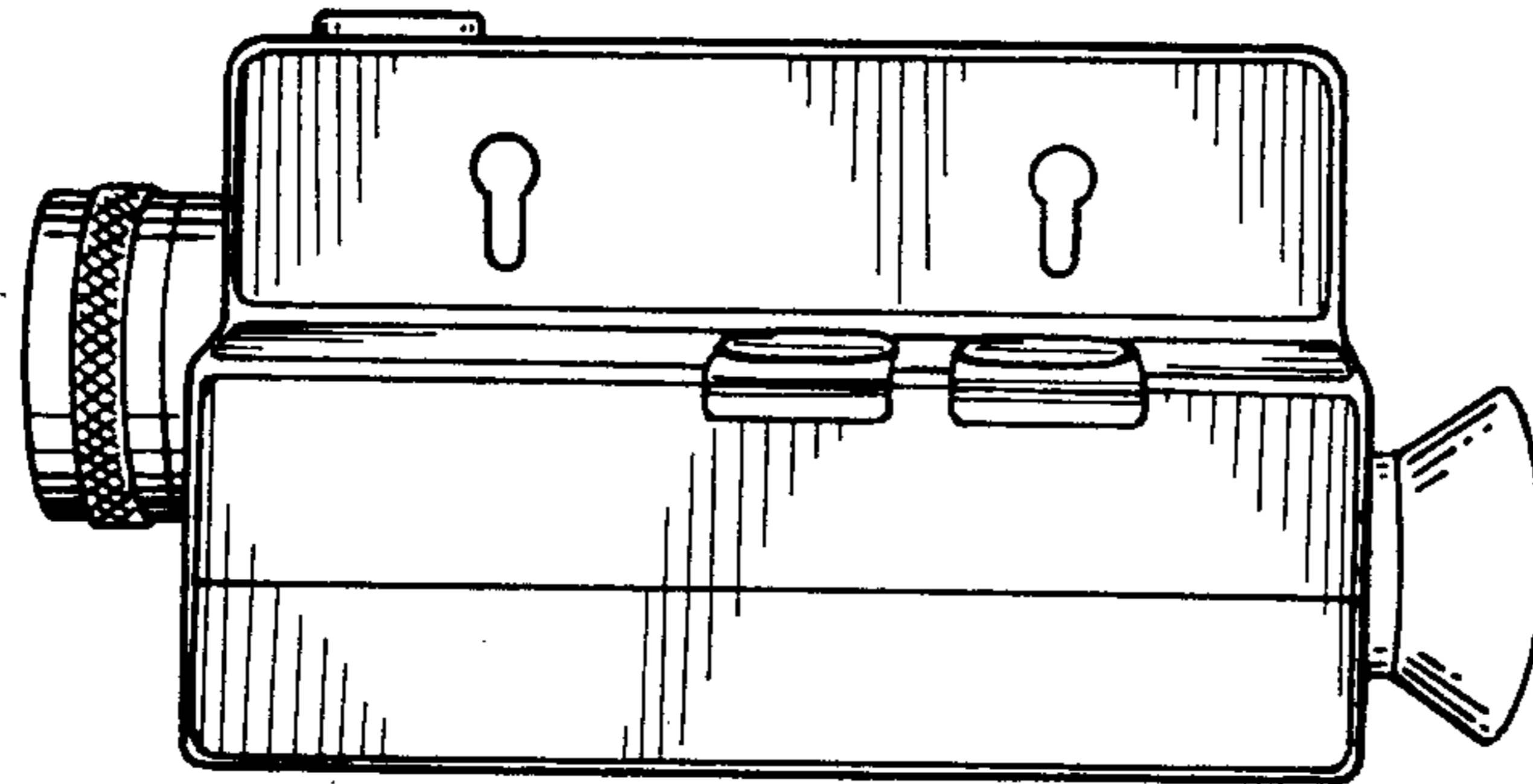


FIG. 2

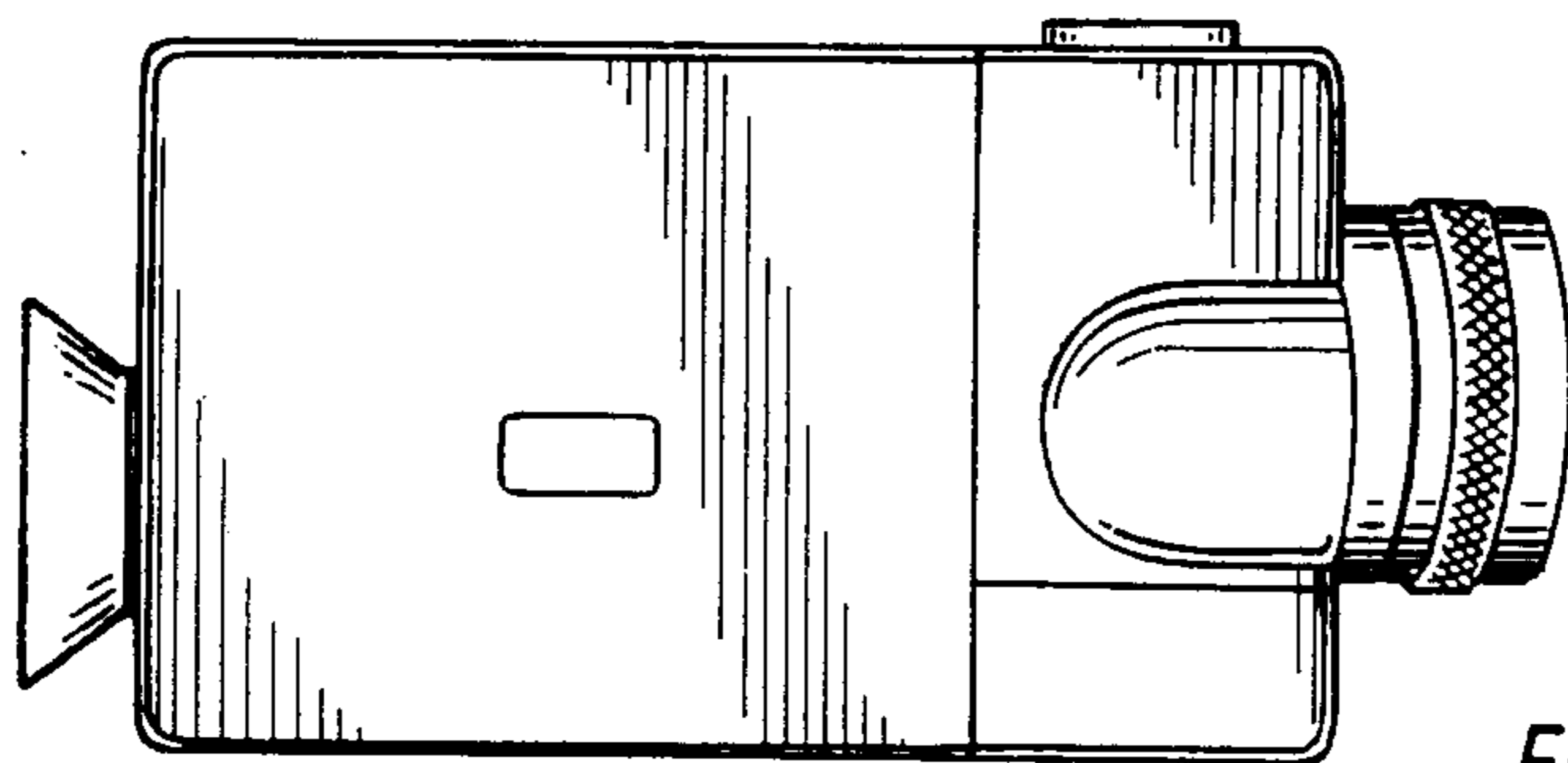


FIG. 3

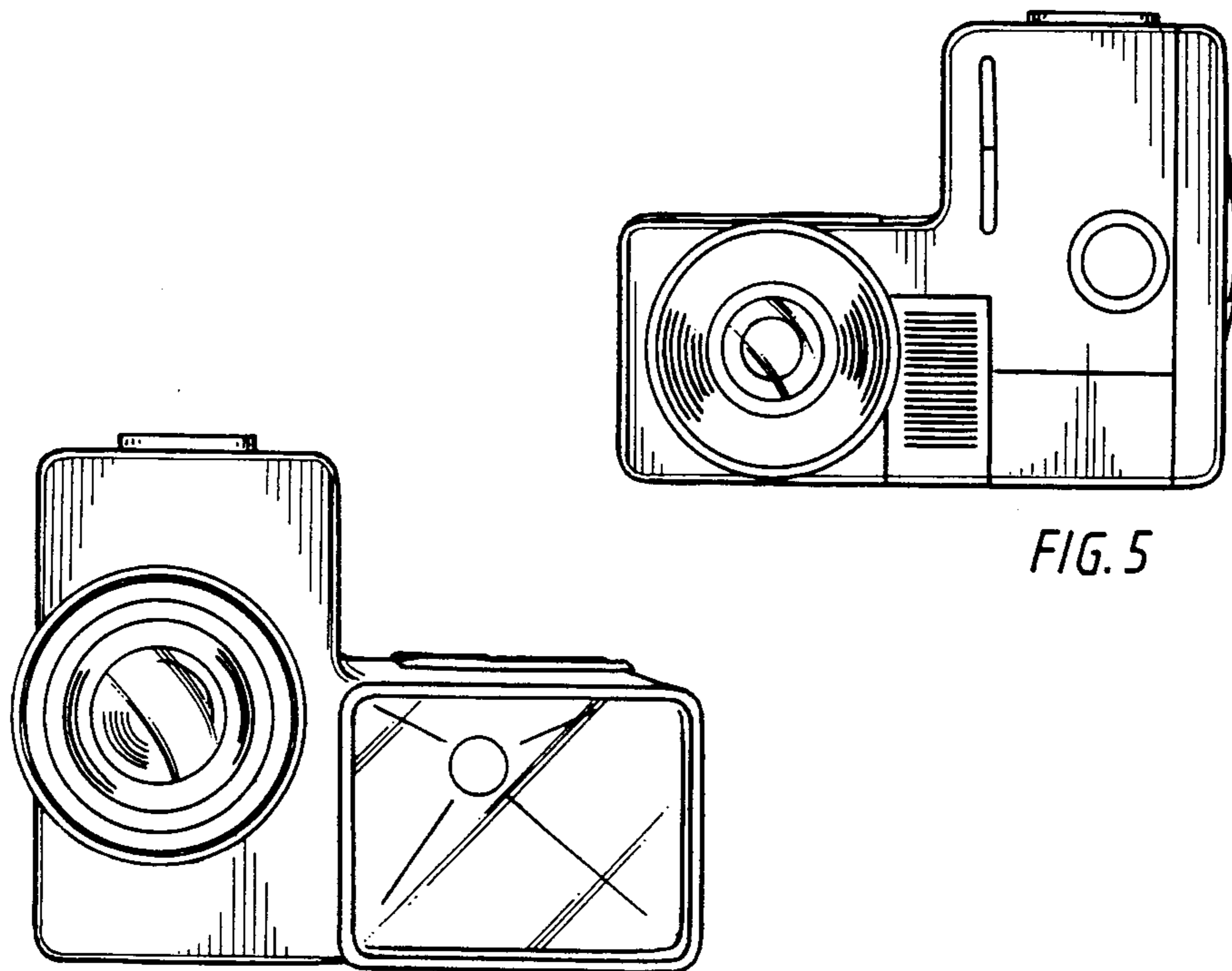


FIG. 4

FIG. 5

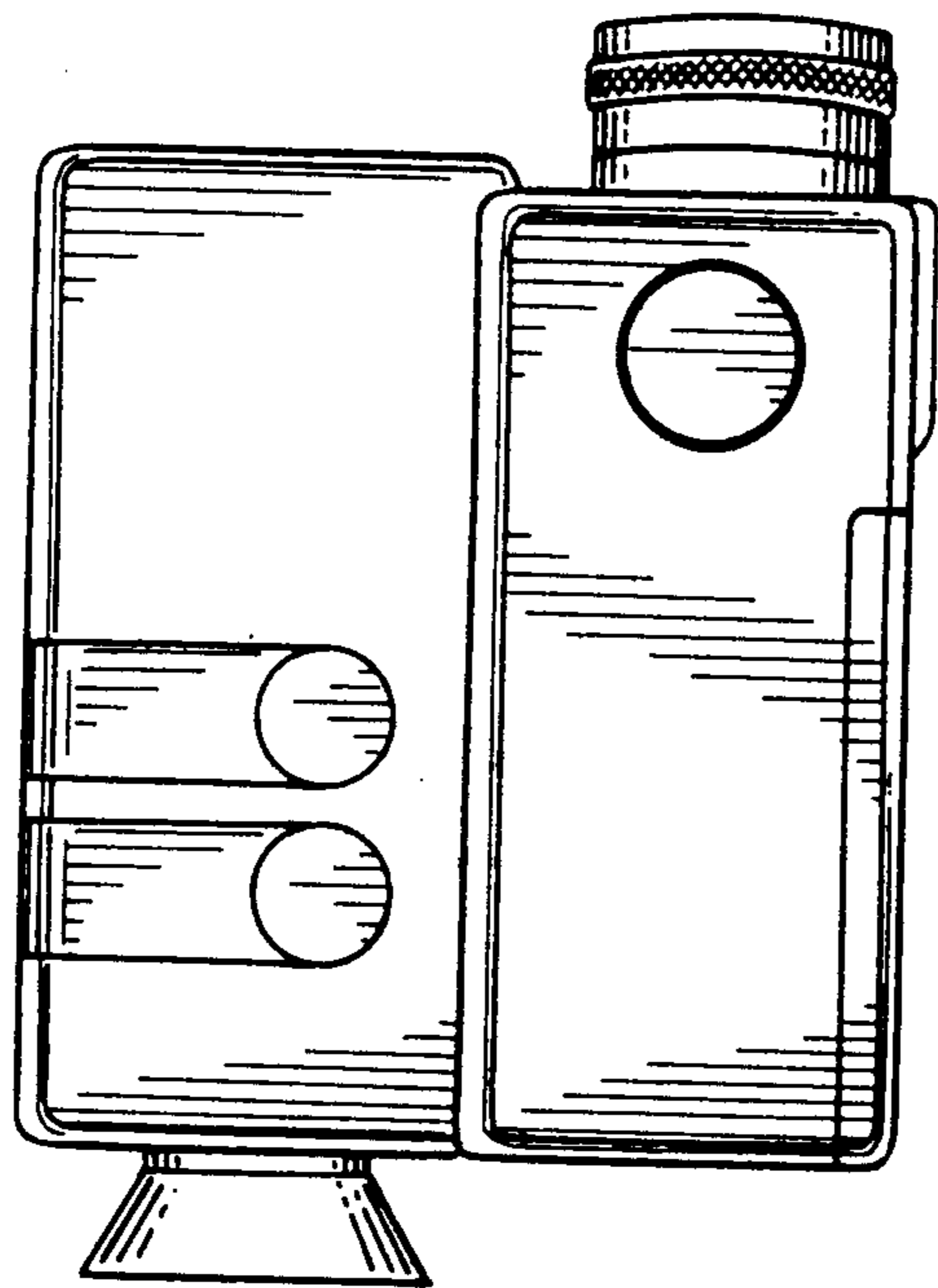


FIG. 6

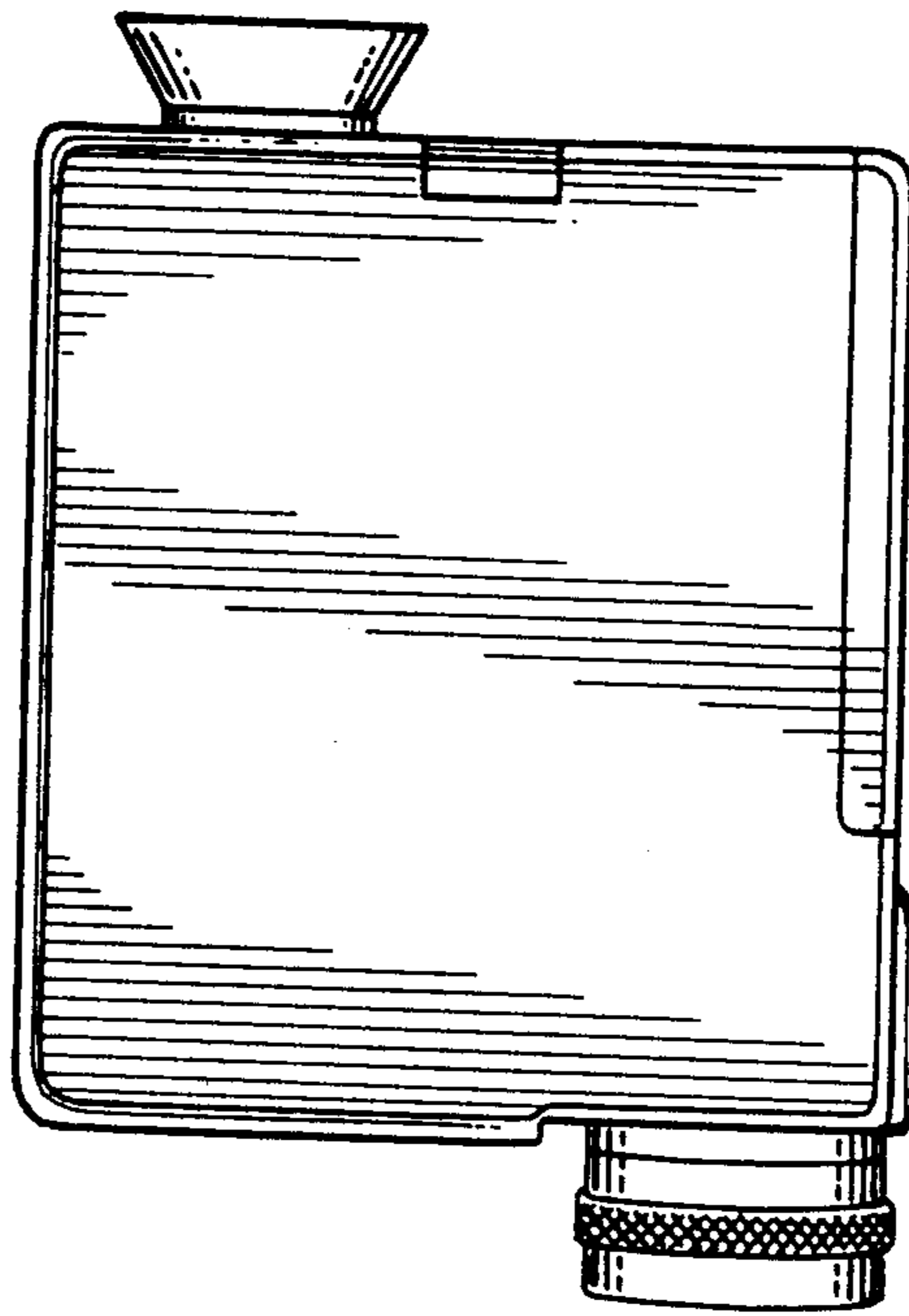


FIG. 7