

[54] POWERED SUCTION CLEANER NOZZLE

[75] Inventor: Nora Robinson, Cleveland, Ohio

[73] Assignee: Health-Mor, Inc., Chicago, Ill.

[\*\*] Term: 14 Years

[21] Appl. No.: 908,587

[22] Filed: May 22, 1978

[51] Int. Cl. .... D15-05

[52] U.S. Cl. .... D15/64

[58] Field of Search ..... D15/62, 63, 64; 15/377, 15/354

[56] References Cited

U.S. PATENT DOCUMENTS

- D. 175,227 7/1955 Martinec ..... D15/64
- D. 239,590 4/1976 Goodman ..... D15/64
- D. 253,054 10/1979 Stevens et al. .... D15/64

4,167,801 9/1979 Erbor et al. .... 15/377 X

Primary Examiner—Catherine E. Kemper  
Attorney, Agent, or Firm—Joseph Frease

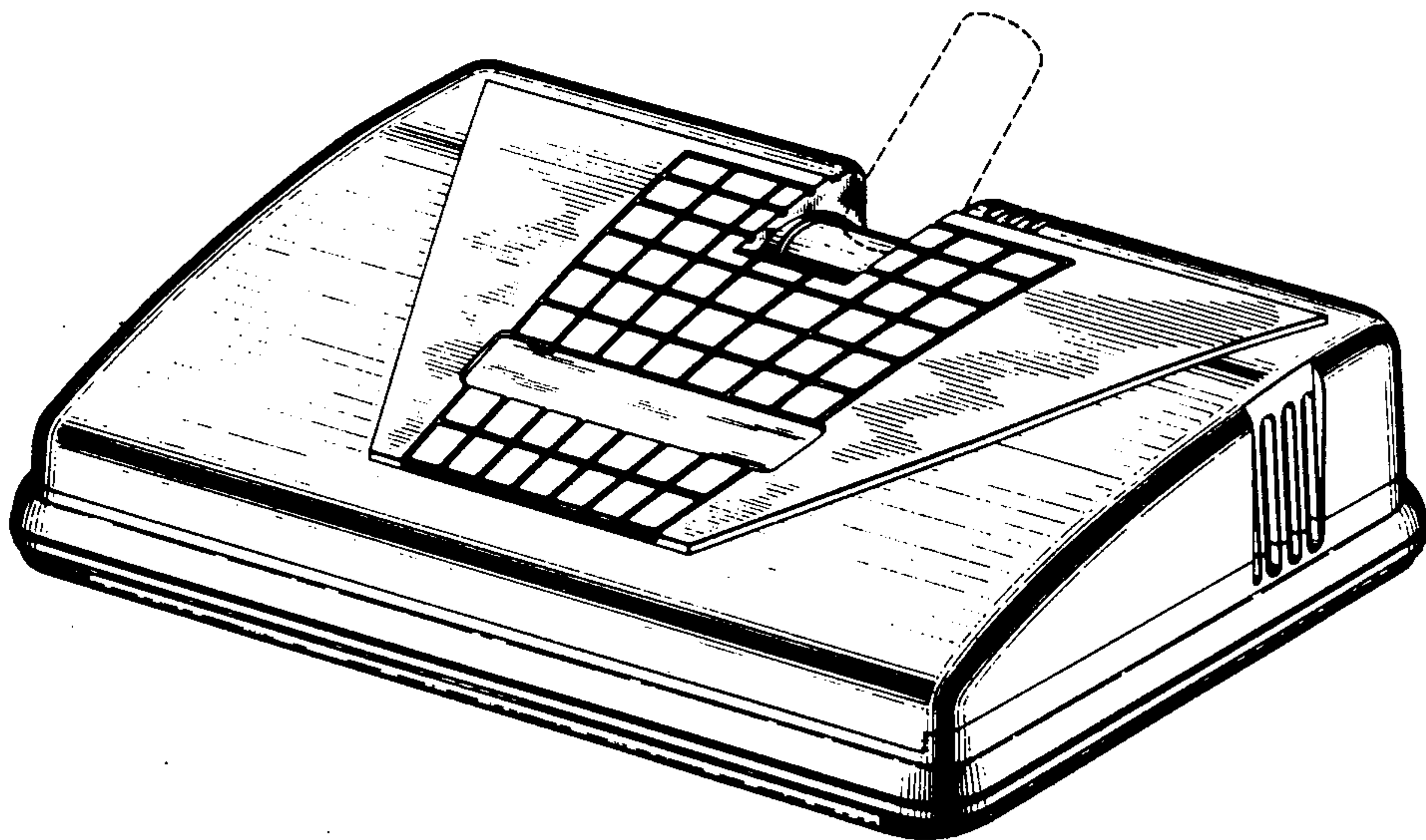
[57] CLAIM

The ornamental design for a powered suction cleaner nozzle, as shown and described.

DESCRIPTION

FIG. 1 is a perspective view of a powered suction cleaner nozzle, showing my new design; FIG. 2 is a top plan view thereof; FIG. 3 is a front elevational view thereof; FIG. 4 is a rear elevational view thereof; FIG. 5 is a left end elevational view thereof; FIG. 6 is a right end elevational view thereof; FIG. 7 is a bottom plan view thereof.

The broken line disclosure of a nozzle coupling in all views is for illustrative purposes only and forms no part of the claimed design.



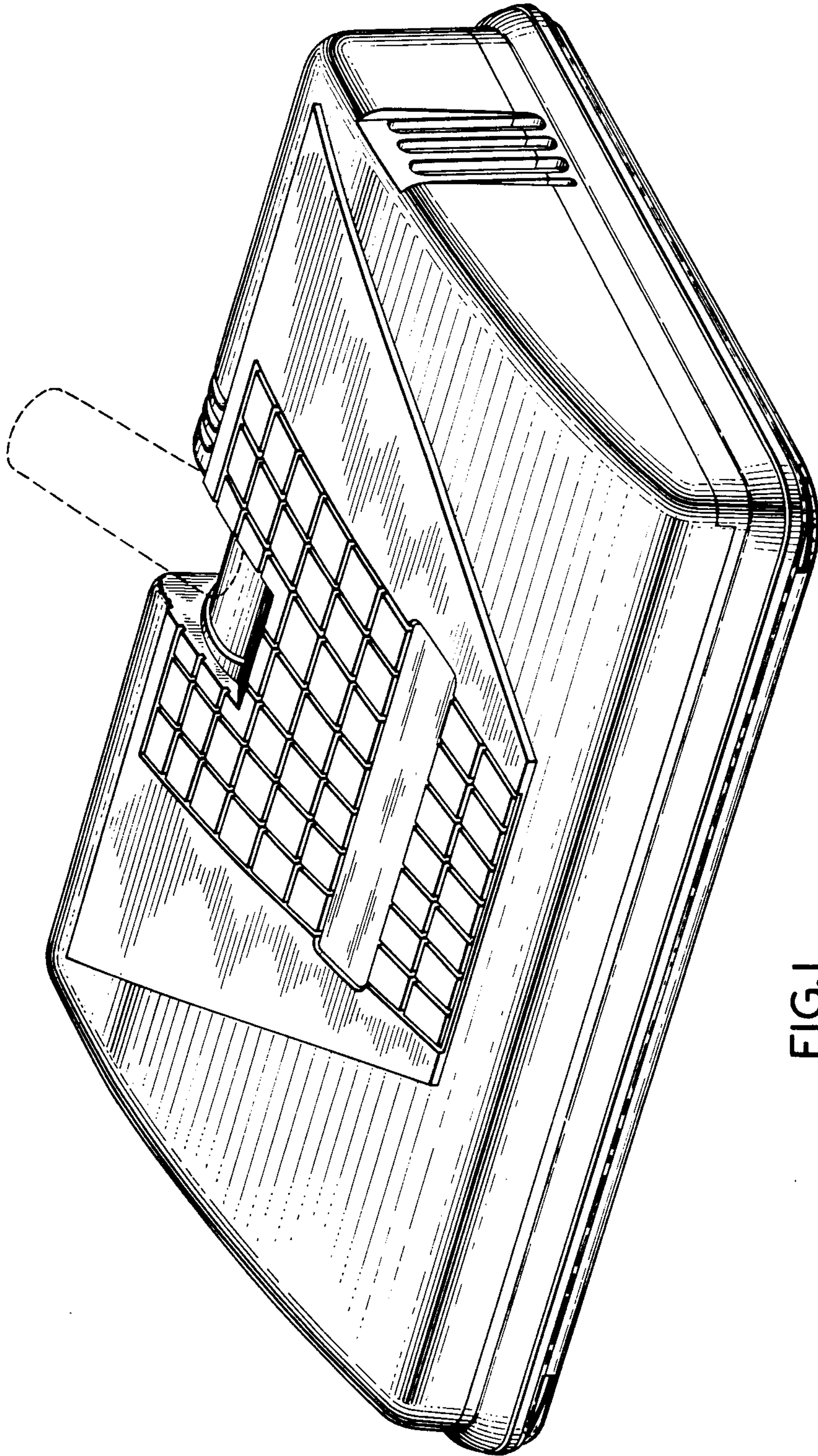


FIG.1



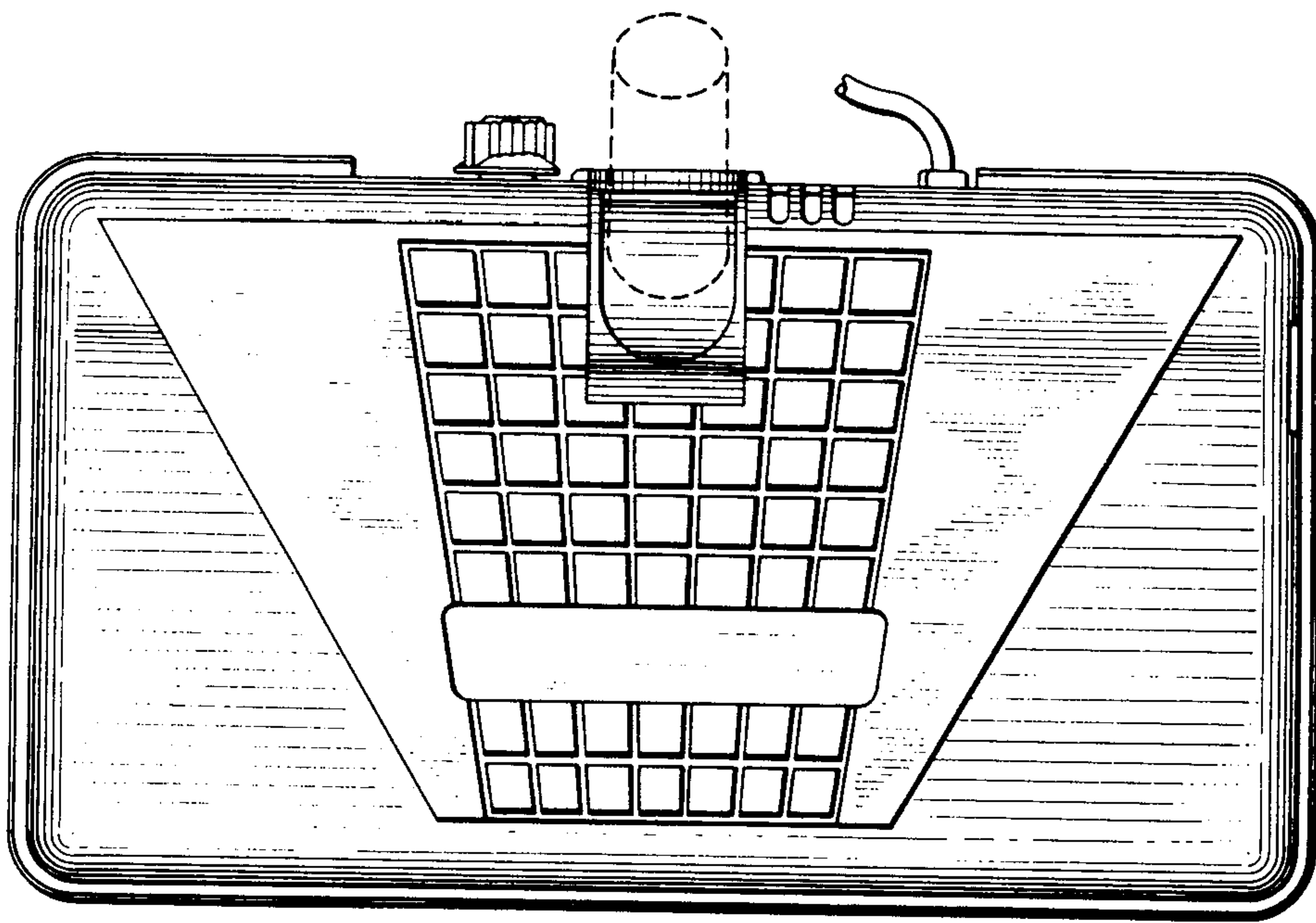


FIG. 2

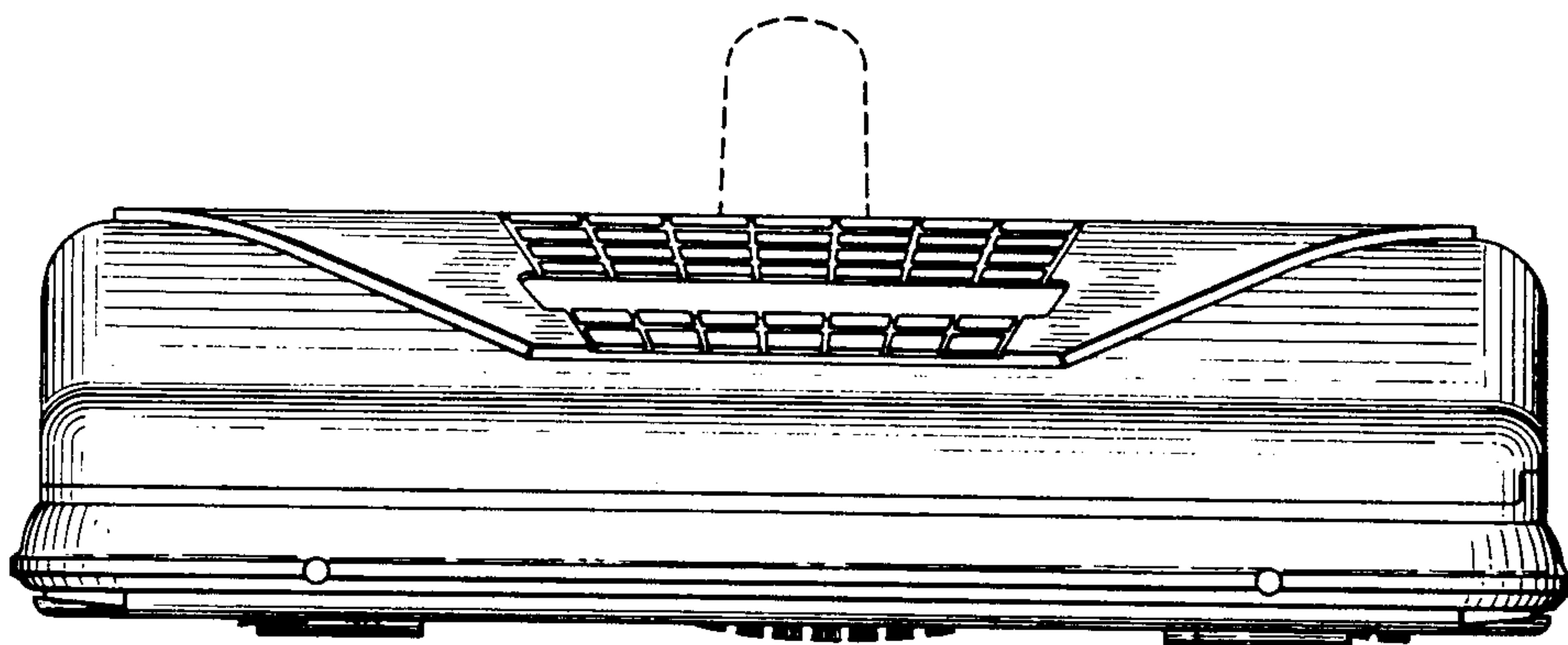


FIG. 3

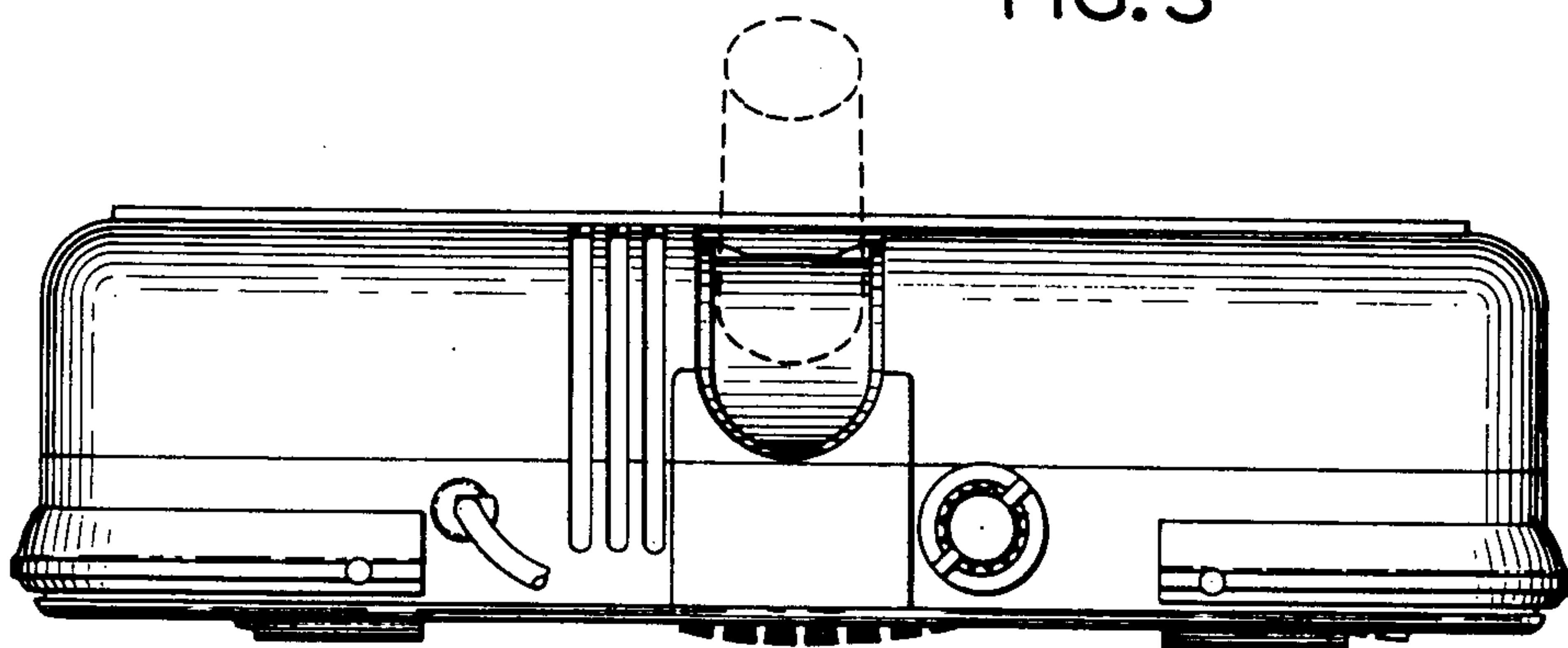


FIG. 4

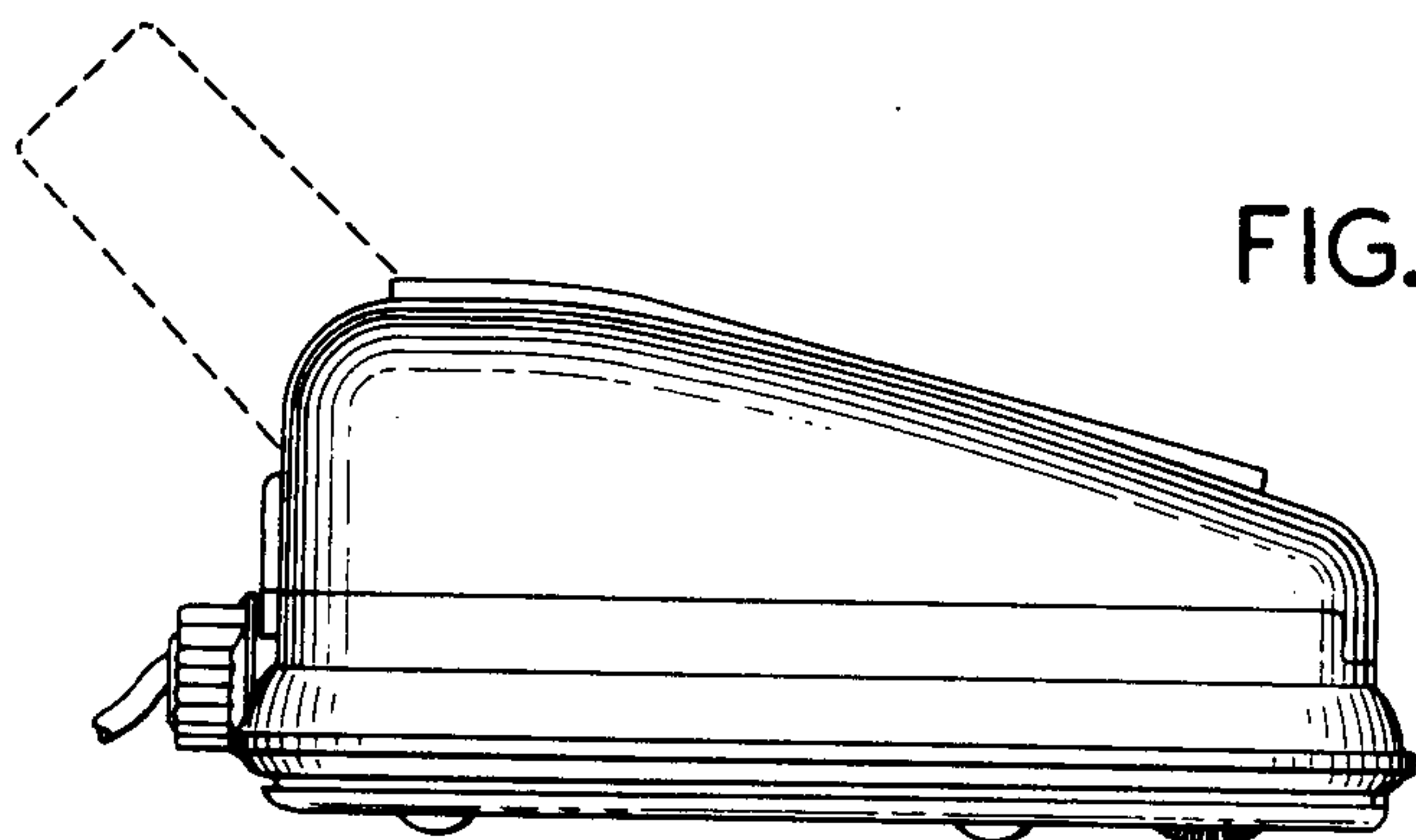


FIG. 5

FIG. 6

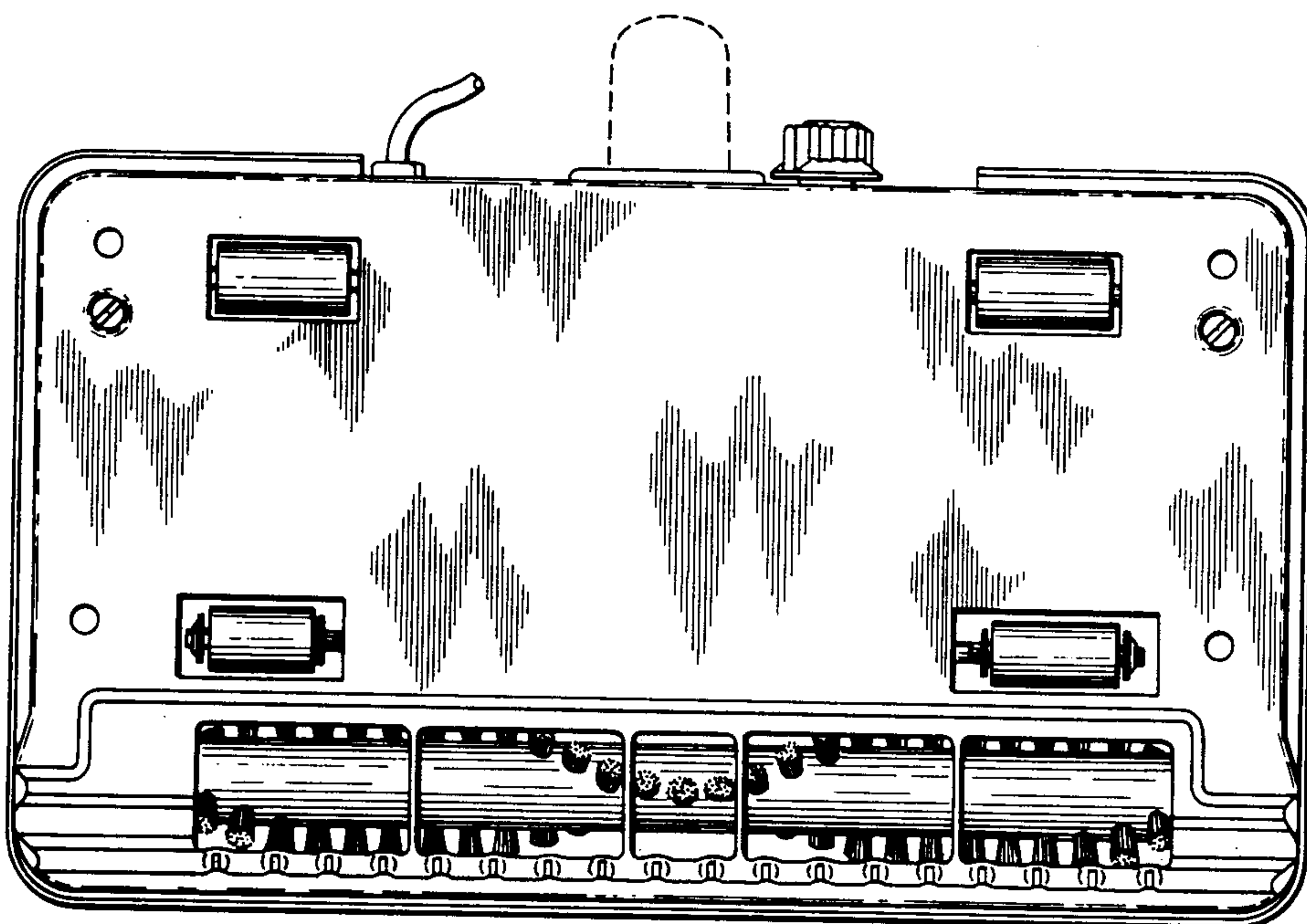
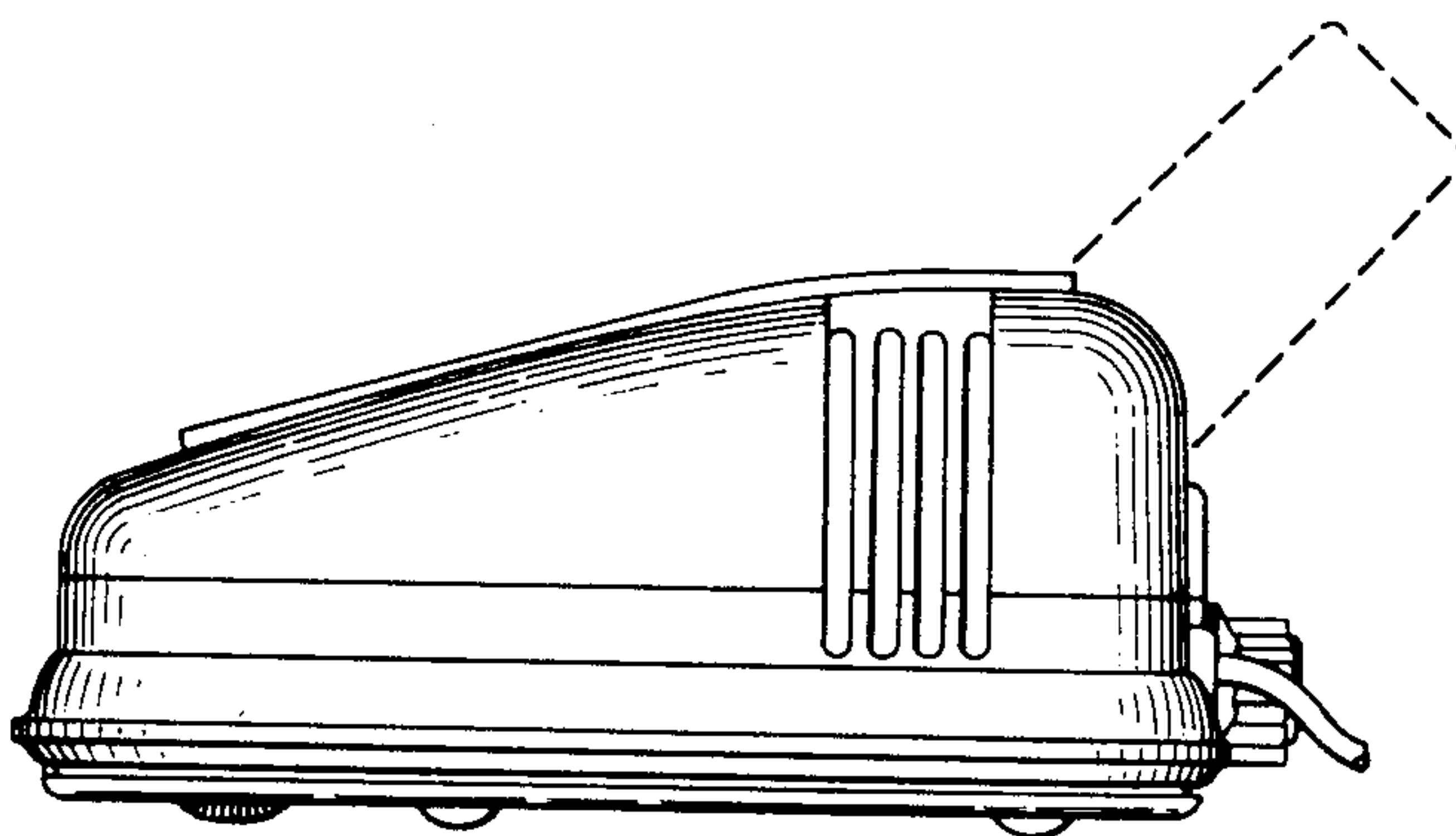


FIG. 7