

[54] **TERMINAL**

[75] **Inventors:** Gregory F. Fossella; John B. MacDonald, both of Boston; Michael J. Mercadante, North Quincy, all of Mass.

[73] **Assignee:** Simplex Time Recorder Co., Gardner, Mass.

[**] **Term:** 14 Years

[21] **Appl. No.:** 961,805

[22] **Filed:** Nov. 17, 1978

[51] **Int. Cl.** D14-02

[52] **U.S. Cl.** D14/44

[58] **Field of Search** D14/40-51; D13/40, 41, 12; D18/5-7, 11, 13; 455/351; 235/1 D, 145 R, 375; 312/223, 7 TV; 361/331, 380, 381, 390, 391; 174/50, 52 R; 340/365 R, 365 VL, 711, 720; 364/900, 708

[56] **References Cited**

U.S. PATENT DOCUMENTS

D. 231,103 4/1974 Moeckl D14/44
D. 237,976 12/1975 Wolfe et al. D14/43

Primary Examiner—Peter Feldman
Attorney, Agent, or Firm—Arthur H. Seidel

[57] **CLAIM**

The ornamental design for a terminal, substantially as shown and described.

DESCRIPTION

FIG. 1 is a perspective view of a terminal showing our new design.

FIG. 2 is a top plan view thereof;

FIG. 3 is a front elevational view thereof;

FIG. 4 is a bottom plan view thereof;

FIG. 5 is a rear elevational view thereof;

FIG. 6 is a right side elevational view thereof; and

FIG. 7 is a left side elevational view thereof.

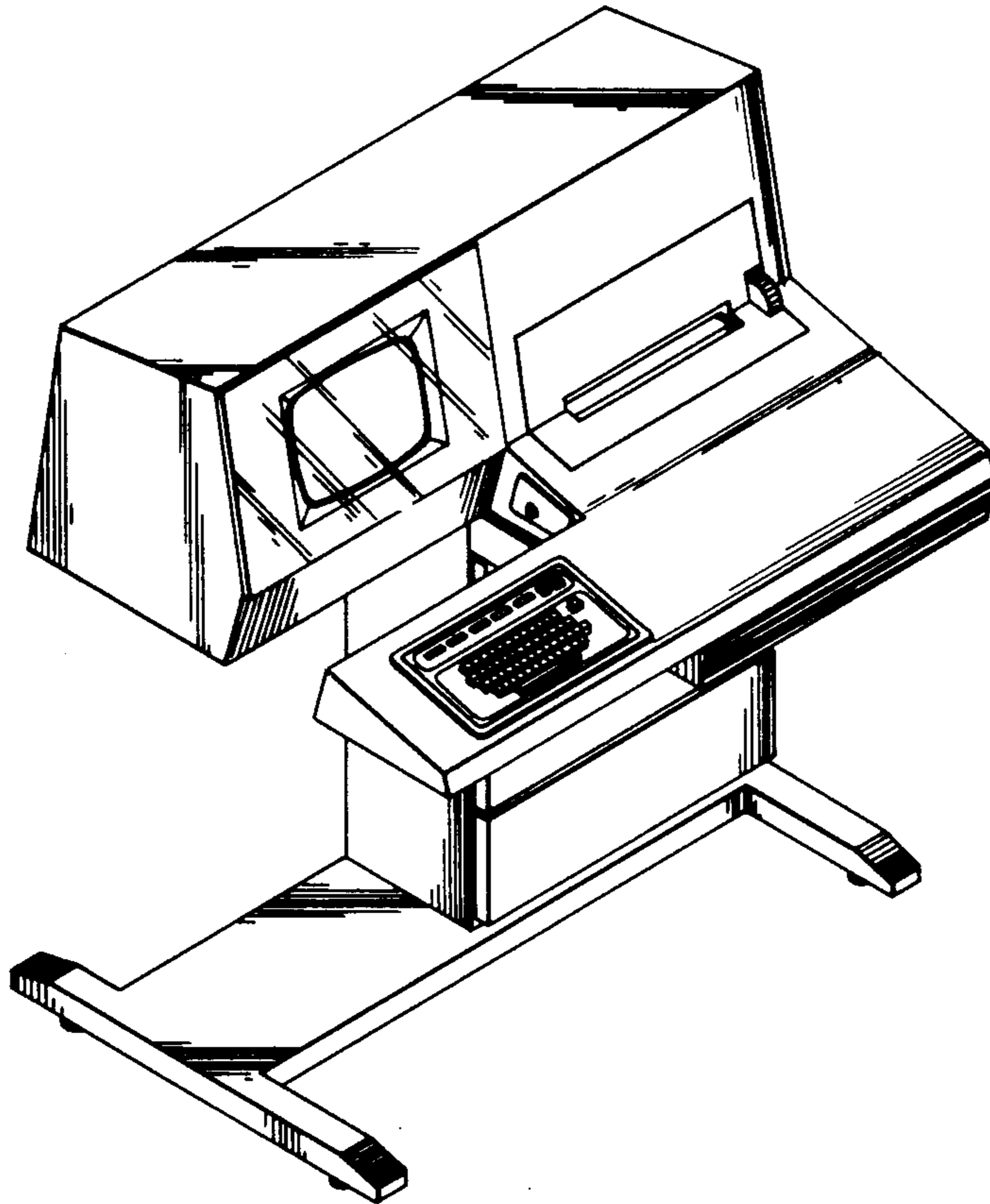


FIG. 1

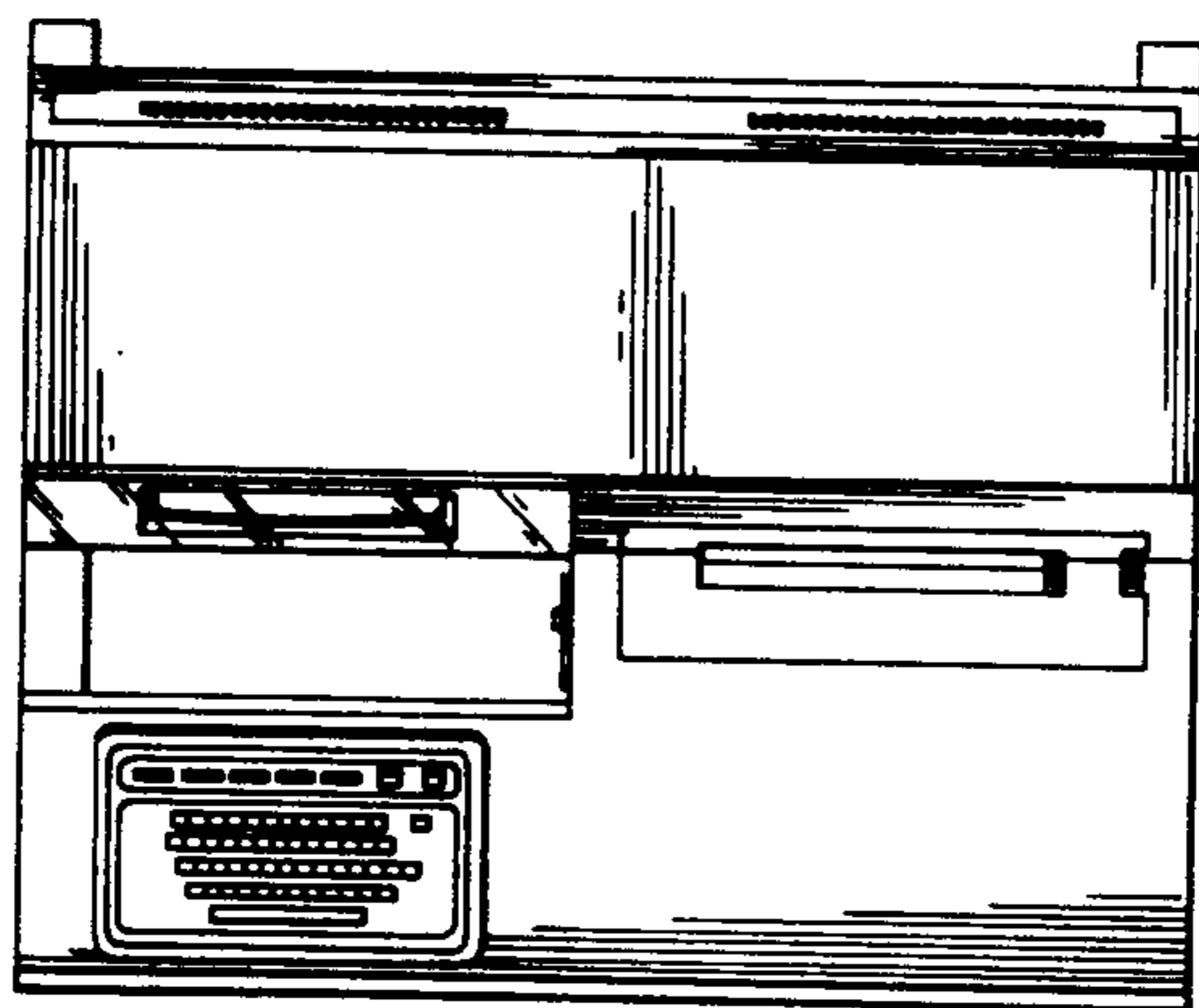
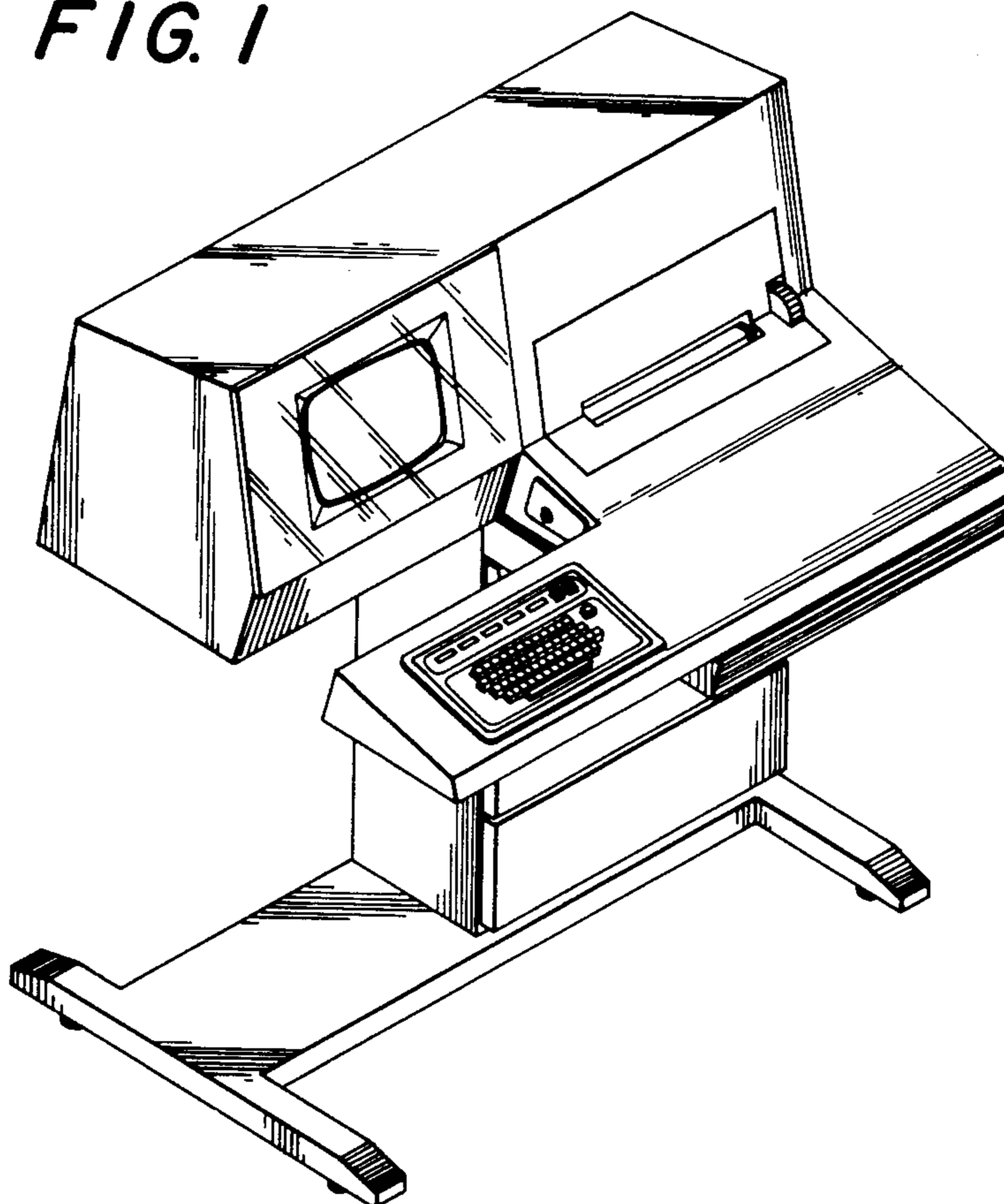


FIG. 2

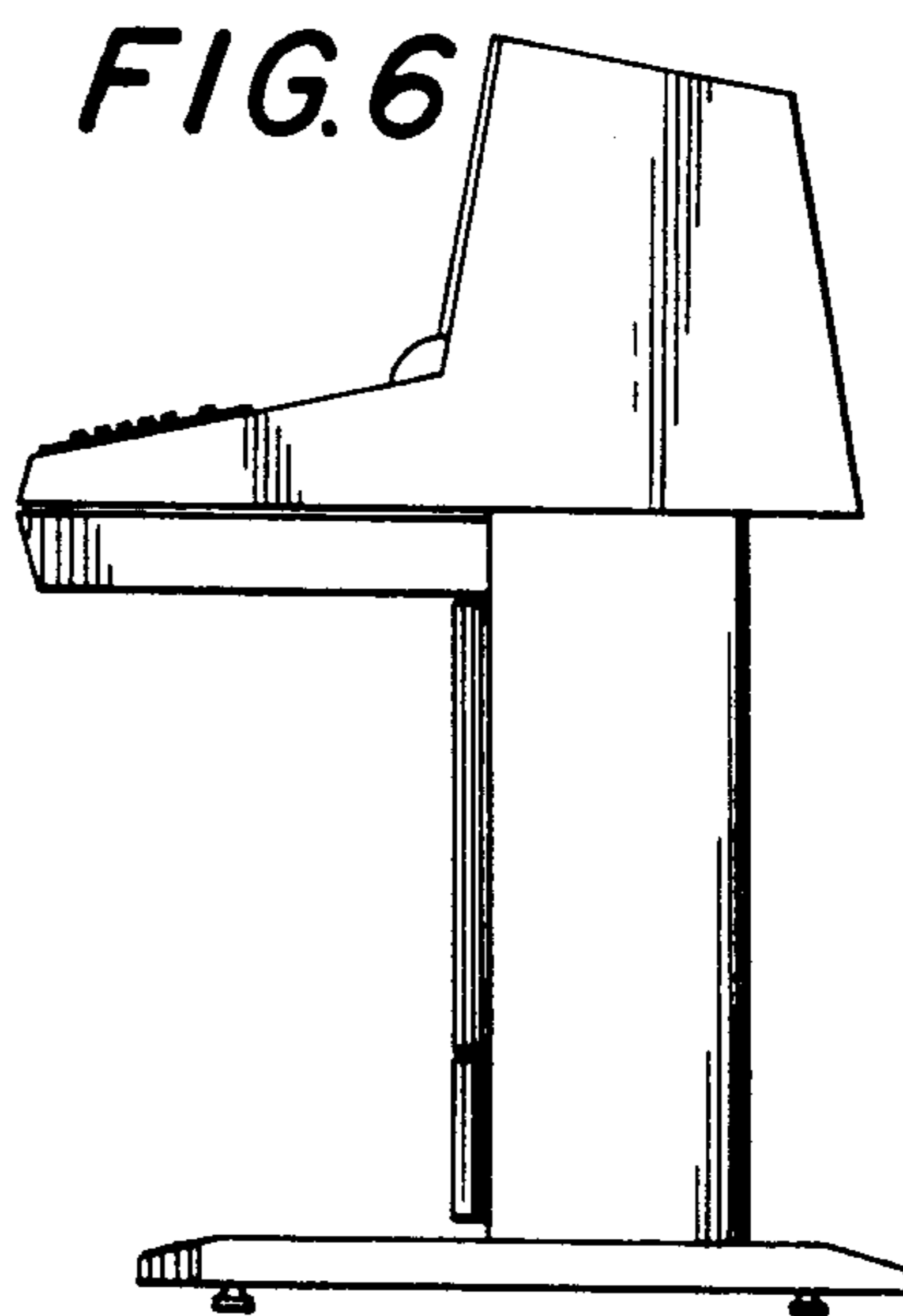
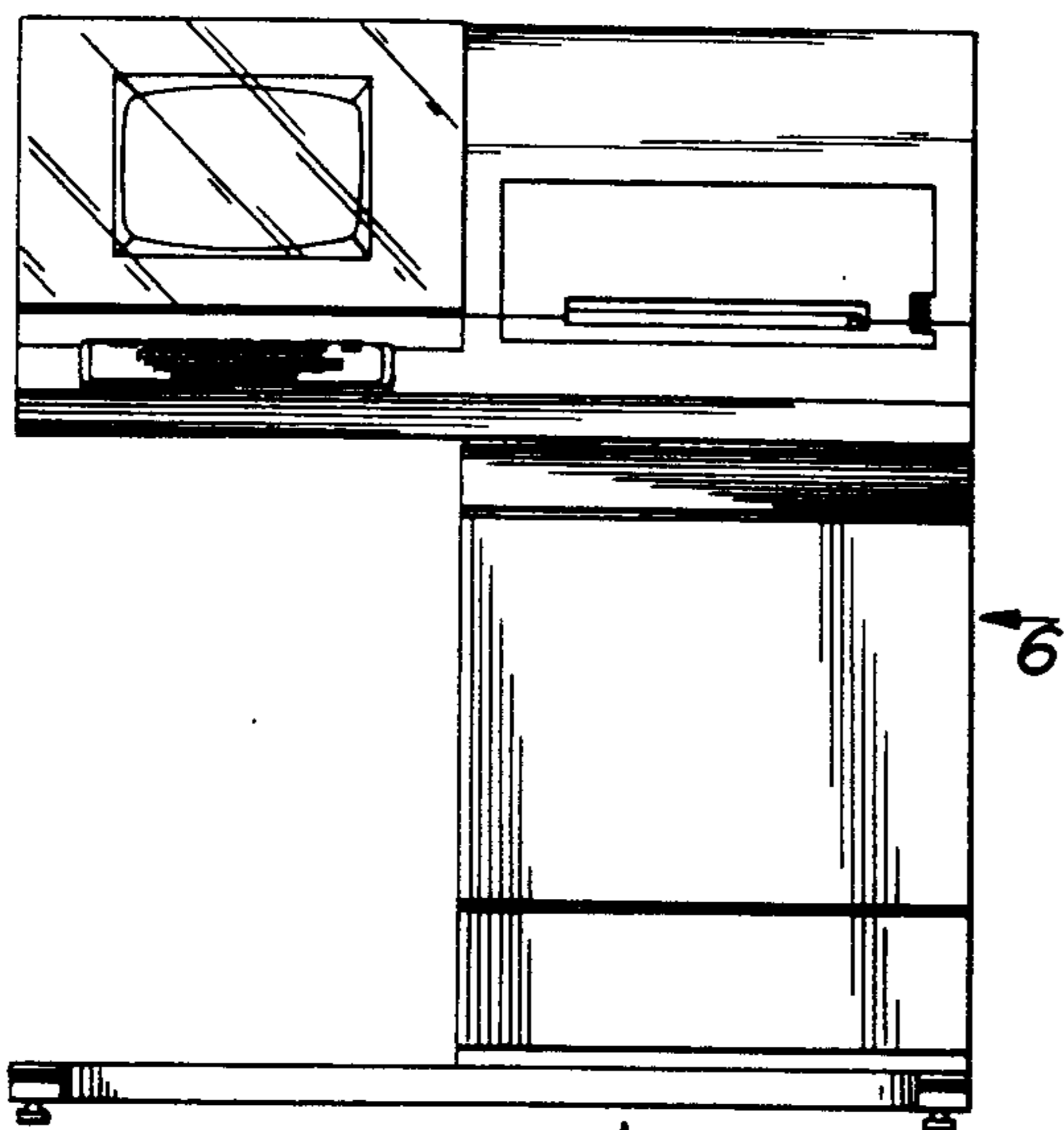


FIG. 4

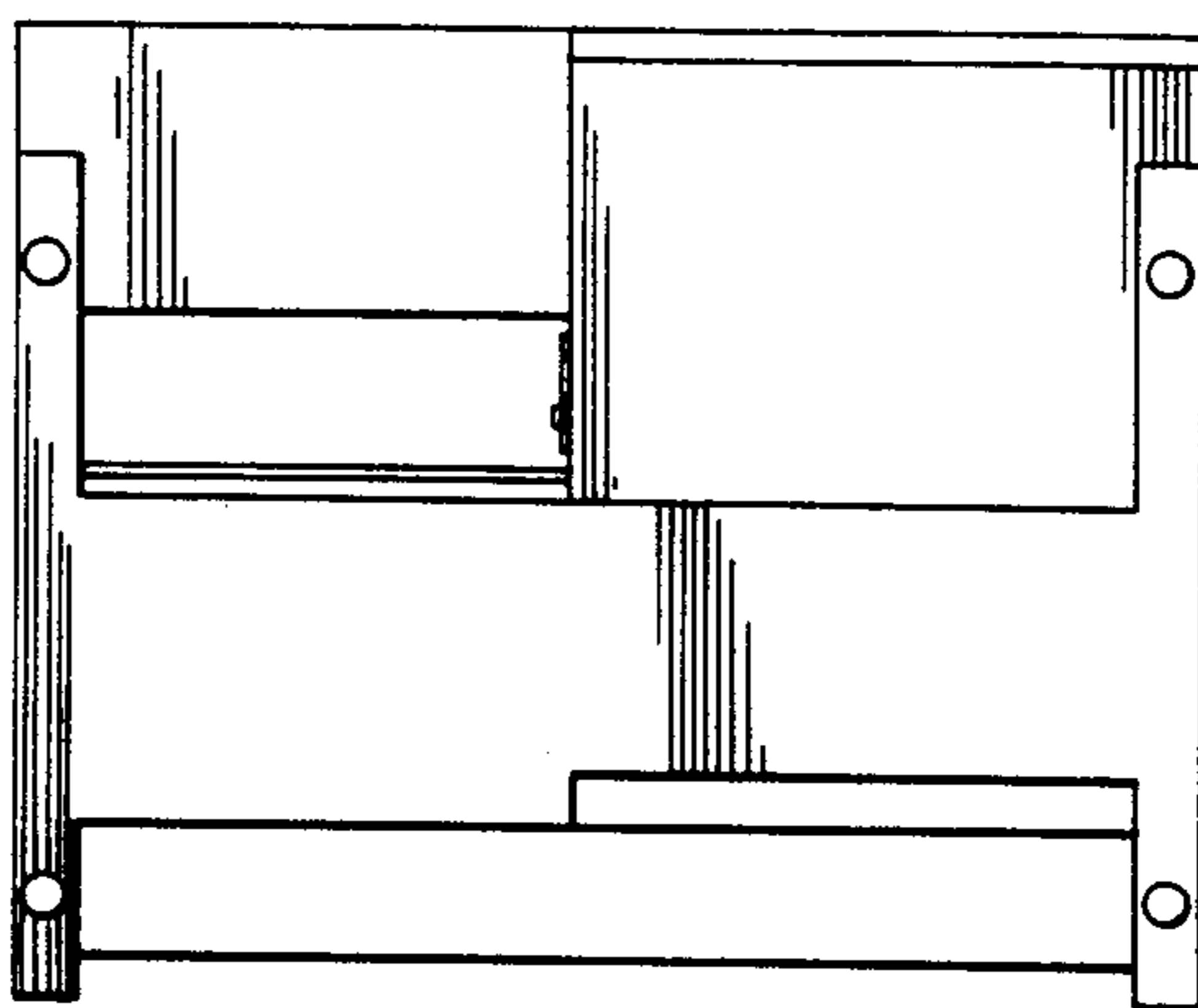


FIG. 5

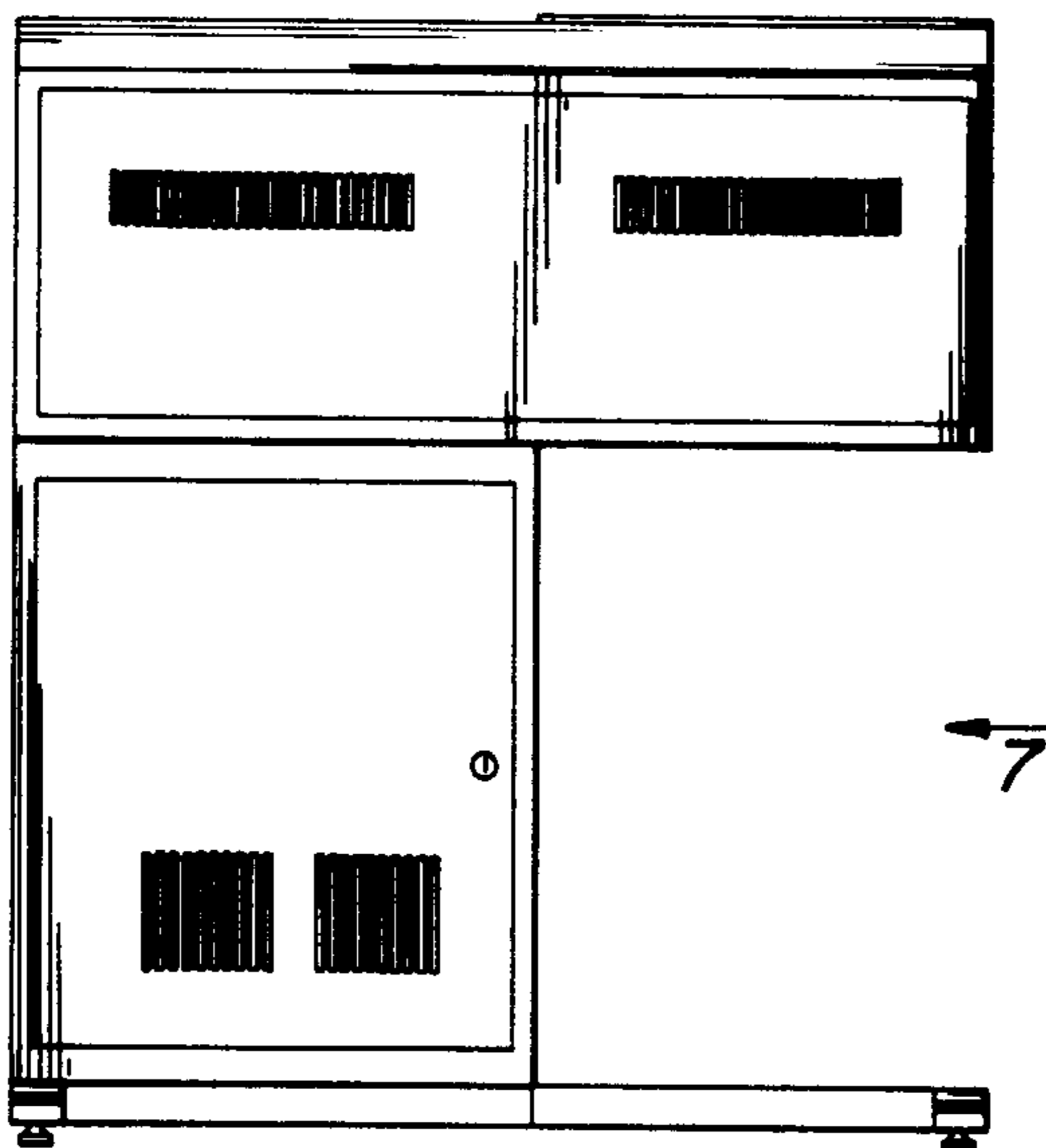


FIG. 7

