

[54] RUNNING BOARD FOR TRUCKS

[75] Inventors: Bernard Stoltenberg; Steven R. Heck, both of Luverne, Minn.

[73] Assignee: Luverne Truck Equipment, Inc., Luverne, Minn.

[**] Term: 14 Years

[21] Appl. No.: 901,726

[22] Filed: May 1, 1978

[51] Int. Cl. D12-16

[52] U.S. Cl. D12/203

[58] Field of Search D12/203; D25/69; 280/163, 169; 296/1 F; 52/177, 179, 181; 182/228

[56] References Cited

U.S. PATENT DOCUMENTS

D. 82,547	11/1930	Earl	280/169
1,842,504	1/1932	Bronson	280/169
3,724,078	4/1973	Carlin et al.	52/177

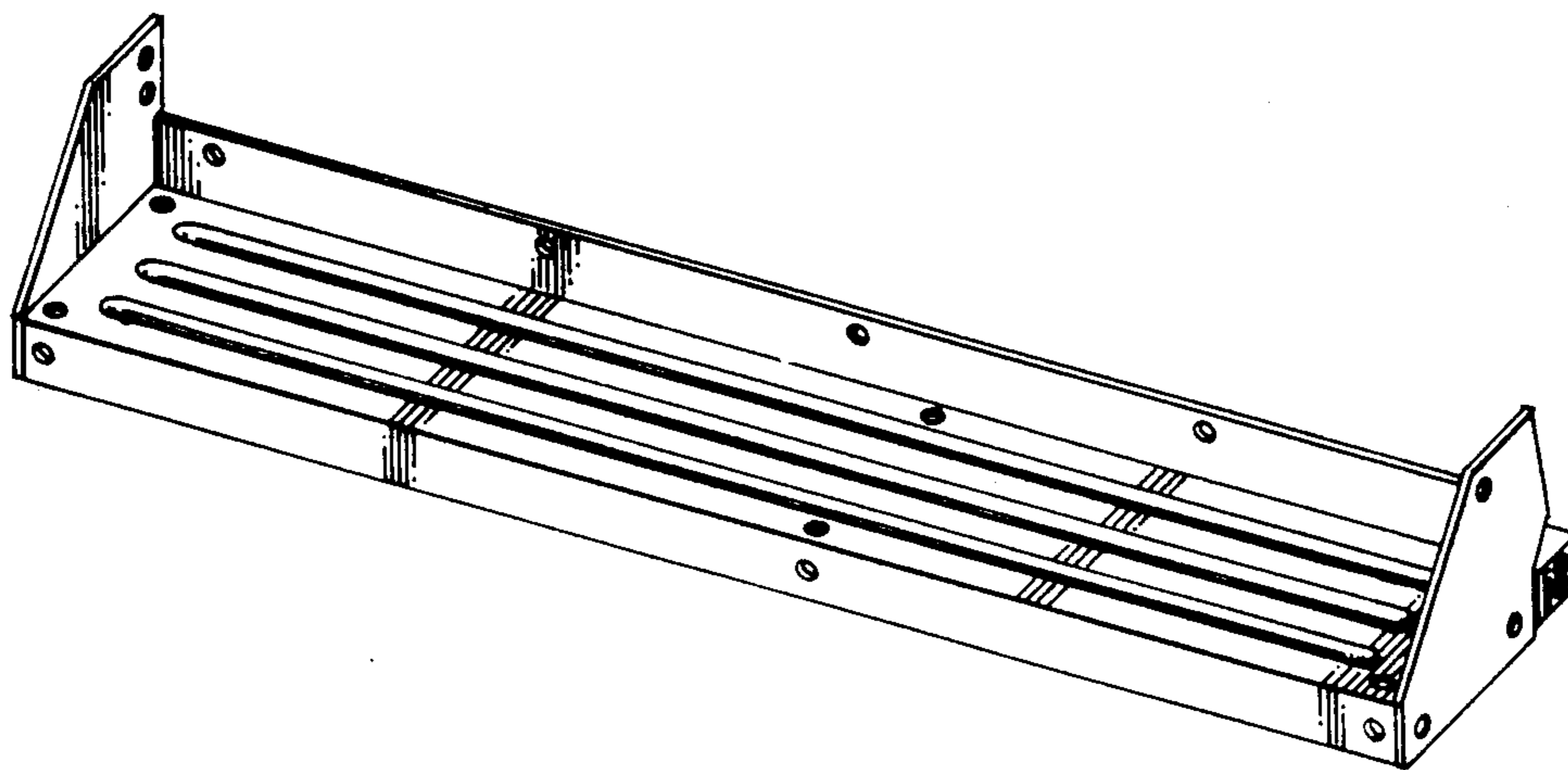
Primary Examiner—James M. Gandy
Attorney, Agent, or Firm—Erik M. Arnhem

[57] CLAIM

The ornamental design for a running board for trucks, substantially as shown and described.

DESCRIPTION

FIG. 1 is a perspective view of a running board for trucks, illustrating our new design;
FIG. 2 is a front elevational view thereof;
FIG. 3 is a bottom plan view thereof;
FIG. 4 is a left end elevational view thereof; and
FIG. 5 is a right end elevational view thereof.



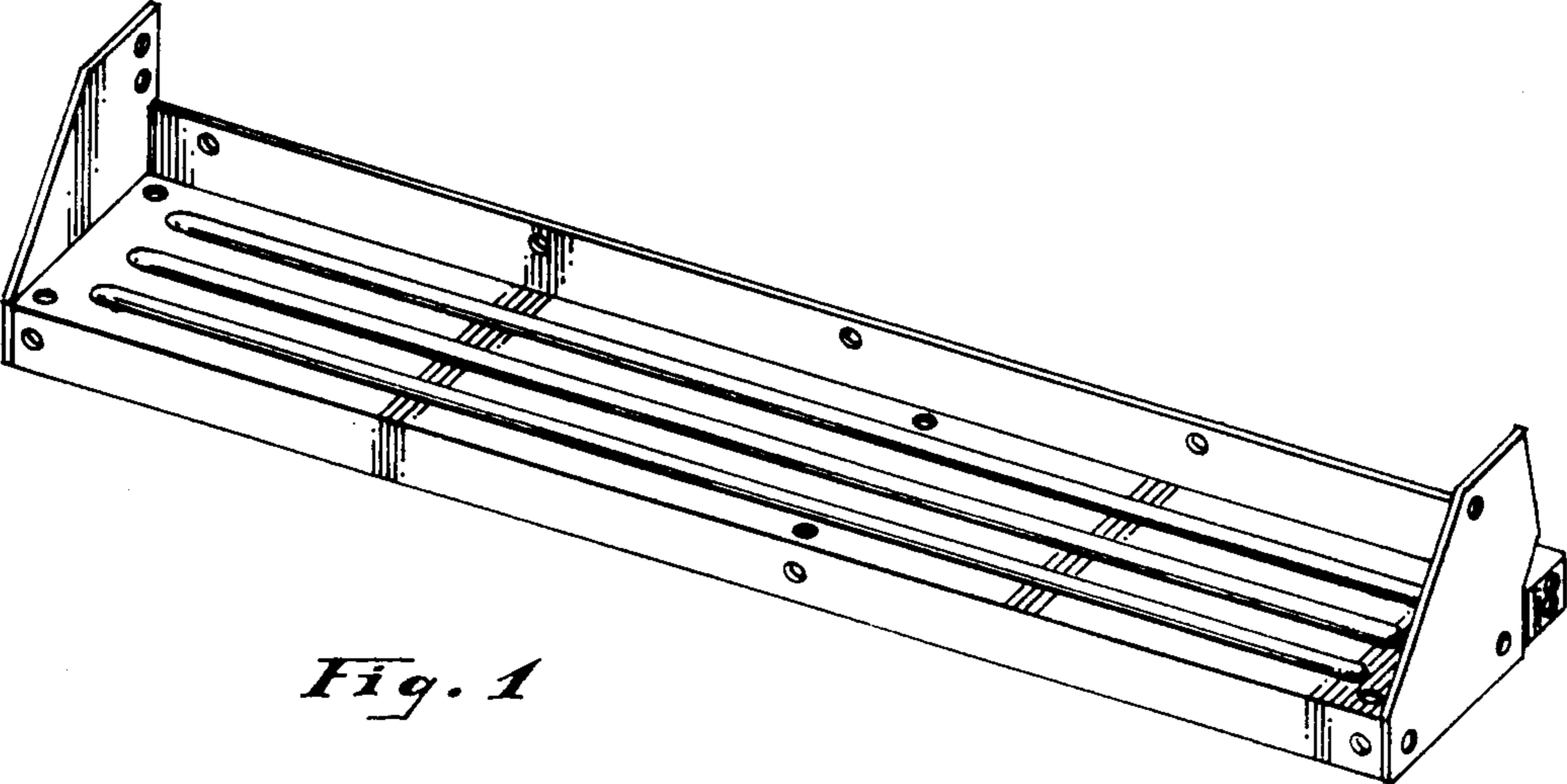


Fig. 1

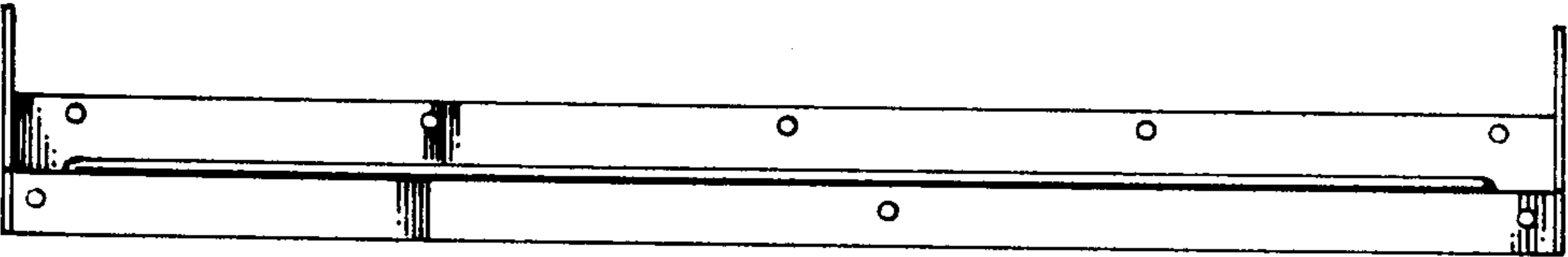


Fig. 2

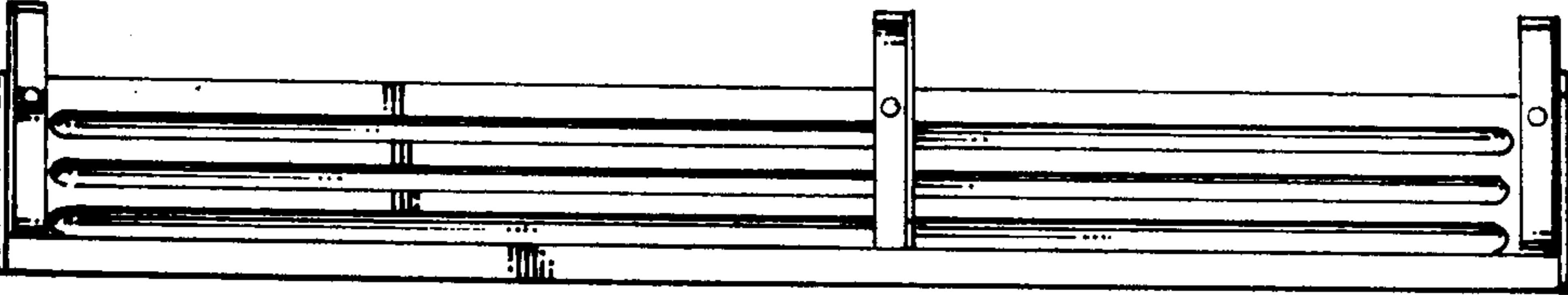


Fig. 3

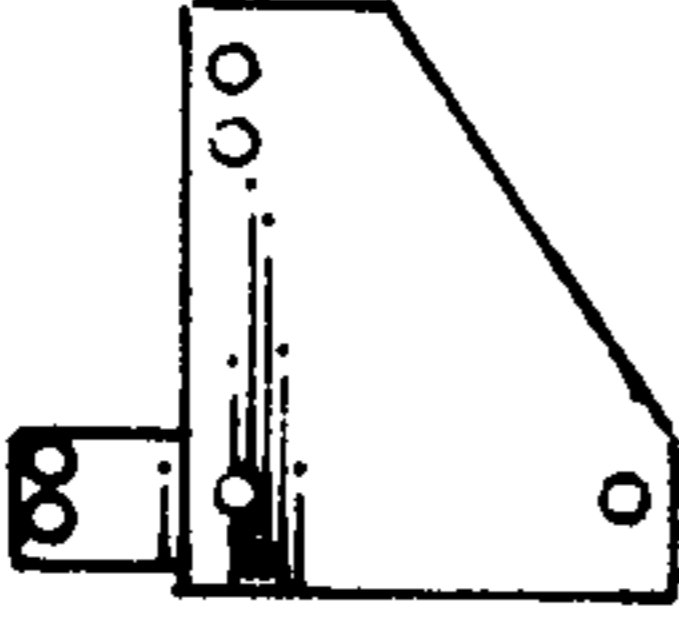


Fig. 4

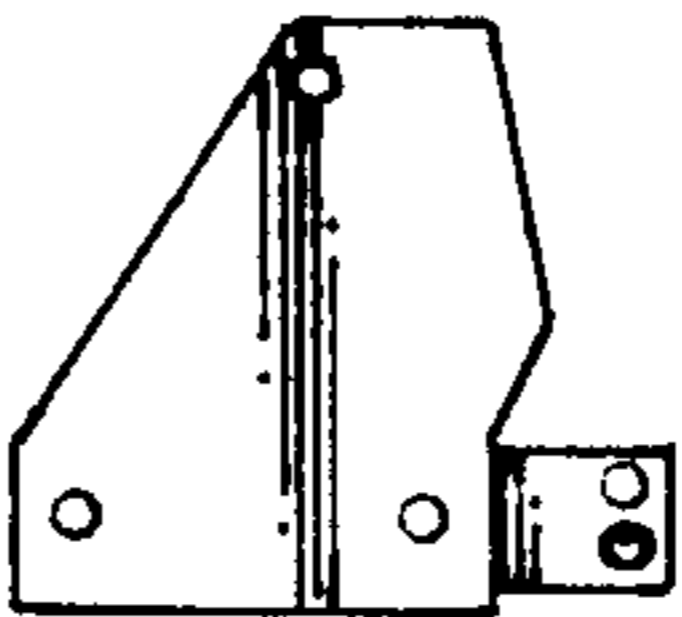


Fig. 5