

[54] **HAND TRUCK FOR LIFTING AND TRANSPORTING A TIRE WHEEL**

[75] Inventor: **Yukiyoshi Hihara**, Fujinomiya, Japan

[73] Assignee: **Yasui Sangyo Co., Ltd.**, Fujinomiya, Japan

[\*\*] Term: **14 Years**

[21] Appl. No.: **938,979**

[22] Filed: **Aug. 31, 1978**

[30] **Foreign Application Priority Data**  
 Jul. 14, 1978 [JP] Japan ..... 53-29760

[51] Int. Cl. .... **D12-05**

[52] U.S. Cl. .... **D12/56; D12/25**

[58] Field of Search ..... **D12/25, 56; 211/24, 211/23; 280/47.34; 254/2 R, 2 B; 414/426-429**

[56] **References Cited**  
**U.S. PATENT DOCUMENTS**

2,490,233	12/1949	Schildmeier .....	254/2 R
2,541,494	2/1951	Bryan .....	414/427
2,545,440	3/1951	Barber .....	414/427
4,050,597	9/1977	Hawkins .....	414/427

*Primary Examiner*—James M. Gandy  
*Attorney, Agent, or Firm*—Daniel M. Rosen

[57] **CLAIM**  
 The ornamental design for a hand truck for lifting and transporting a tire wheel, substantially as shown.

**DESCRIPTION**  
 FIG. 1 is a front perspective view of a hand truck for lifting and transporting a tire wheel showing my new design; and  
 FIG. 2 is a rear perspective view thereof.

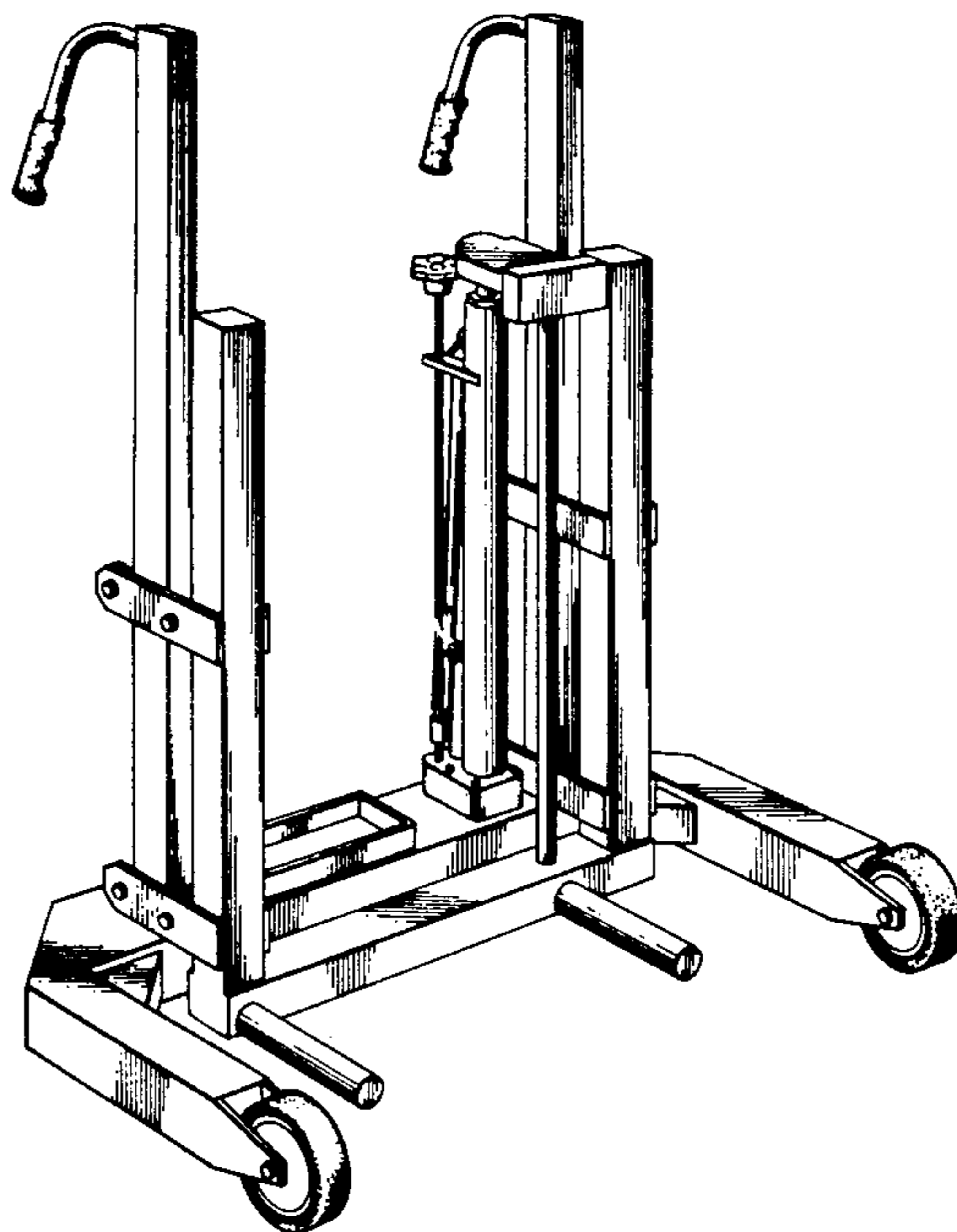


FIG. 1

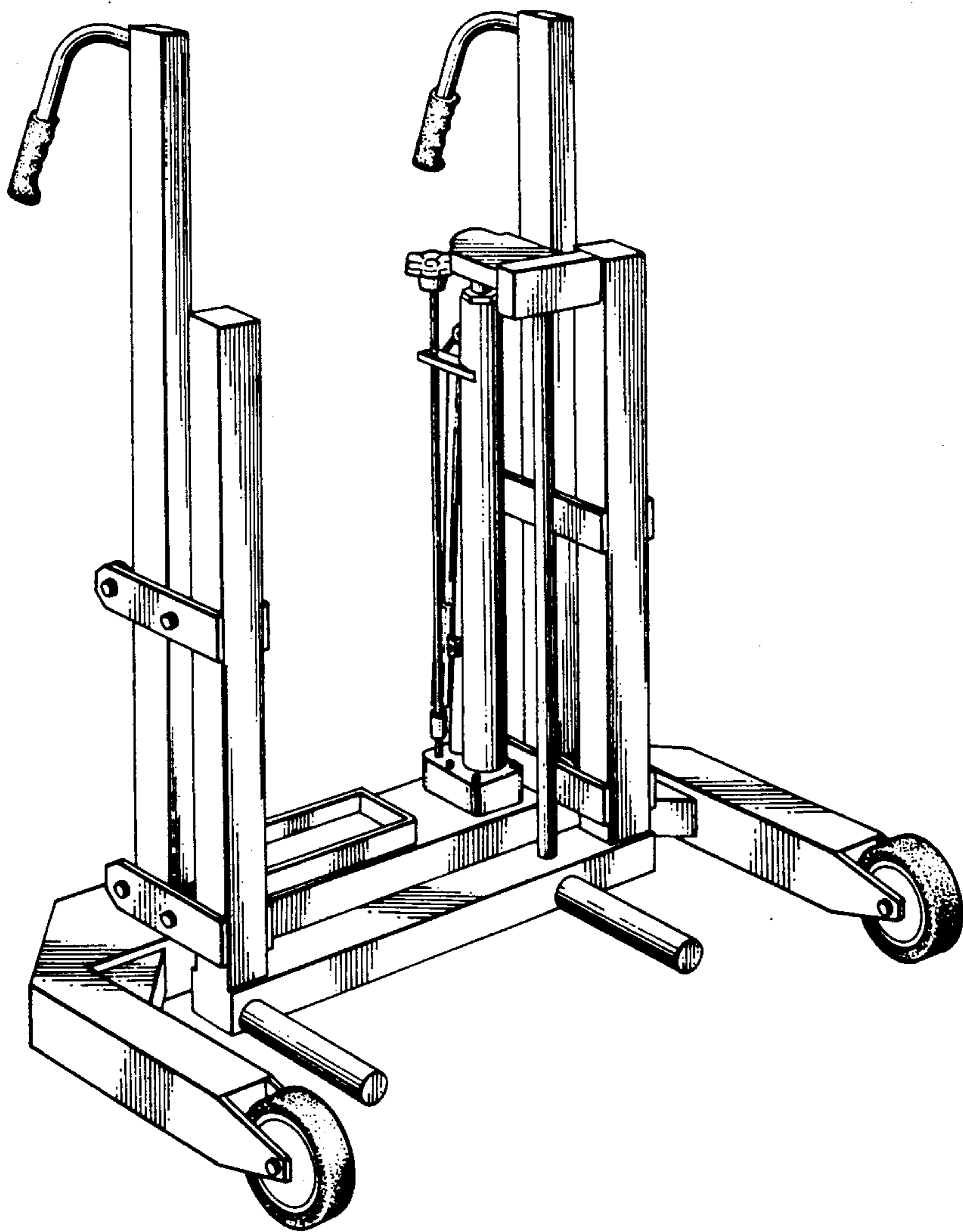


FIG. 2

