

[54] WATCH CASE

[76] Inventor: Cabanne H. Link, 727 Pleasant Valley La., Richardson, Tex. 75080

[**] Term: 14 Years

[21] Appl. No.: 932,528

[22] Filed: Aug. 10, 1978

[51] Int. Cl. D10-02

[52] U.S. Cl. D10/30; D10/38

[58] Field of Search D10/30, 31, 32, 38, D10/39; 58/50 R, 23 R, 88 R, 88 E, 88 G, 88 W, 88 WC, 57, 58, 127 R

[56] References Cited

U.S. PATENT DOCUMENTS

D. 237,784 11/1975 Cruse D10/38

D. 239,511	4/1976	Watson	D10/38
D. 242,774	12/1976	Huguenin	D10/38
D. 245,766	9/1977	Cruse	D10/38
D. 248,547	7/1978	Fernando	D10/38
3,566,602	3/1971	Bergey	D10/38 X

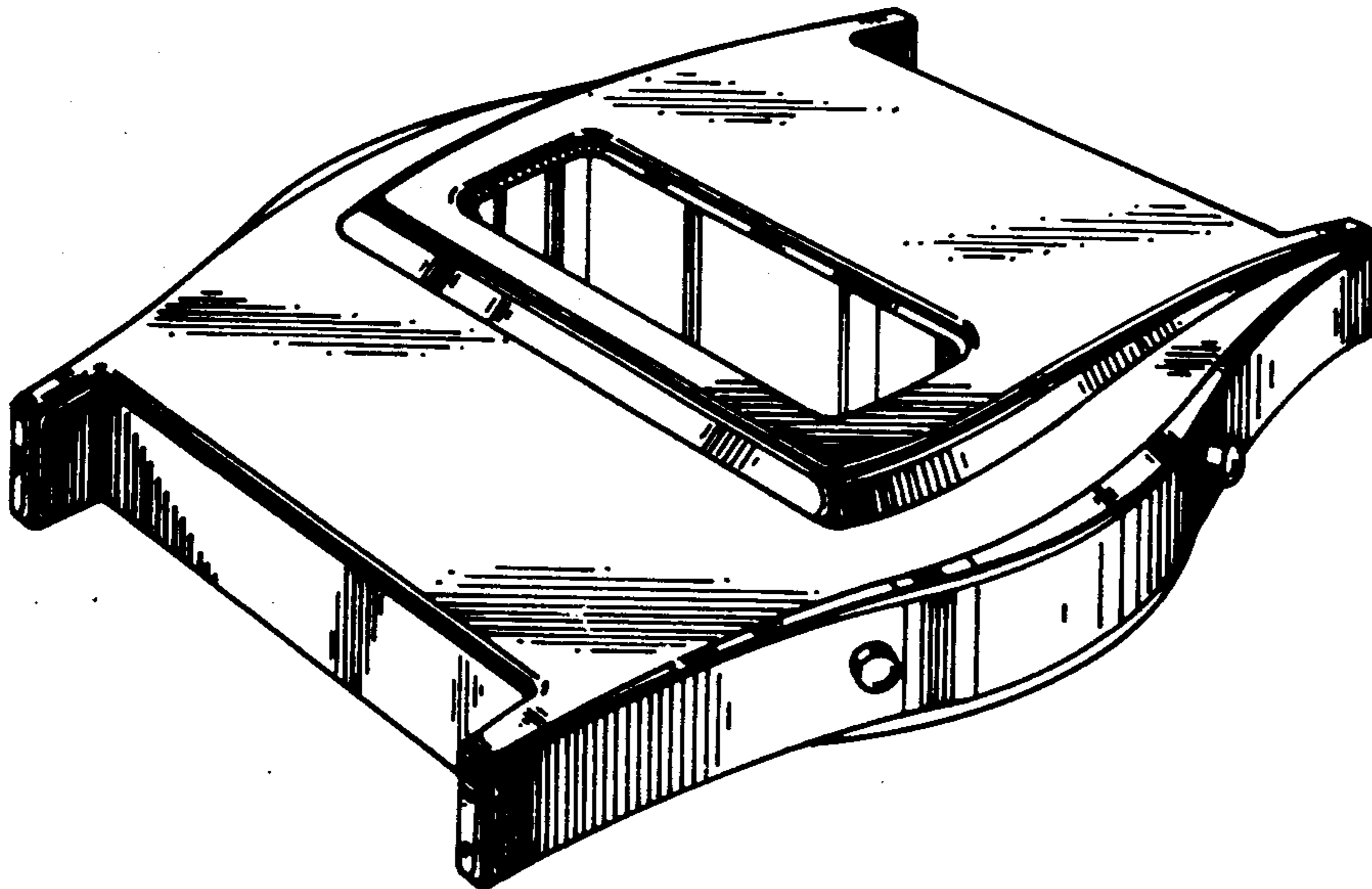
Primary Examiner—Nelson C. Holtje
Attorney, Agent, or Firm—E. Mickey Hubbard

[57] CLAIM

The ornamental design for a watch case, as shown and described.

DESCRIPTION

FIG. 1 is a top and right front perspective view of a watch case showing my new design,
FIG. 2 is a top plan view thereof;
FIG. 3 is a right side elevational view thereof;
FIG. 4 is a left side elevational view thereof;
FIG. 5 is a bottom plan view thereof.



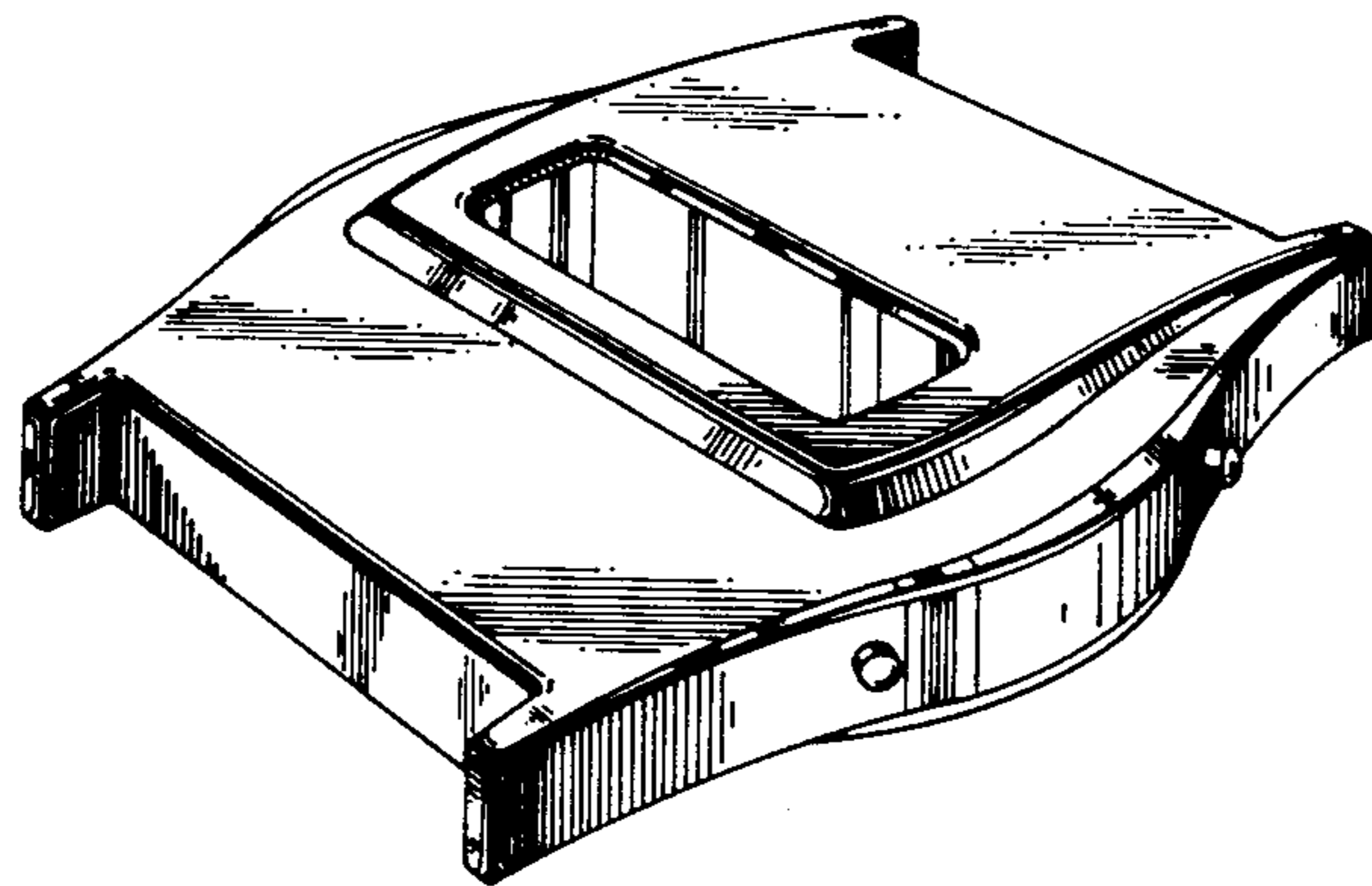


FIG. 1

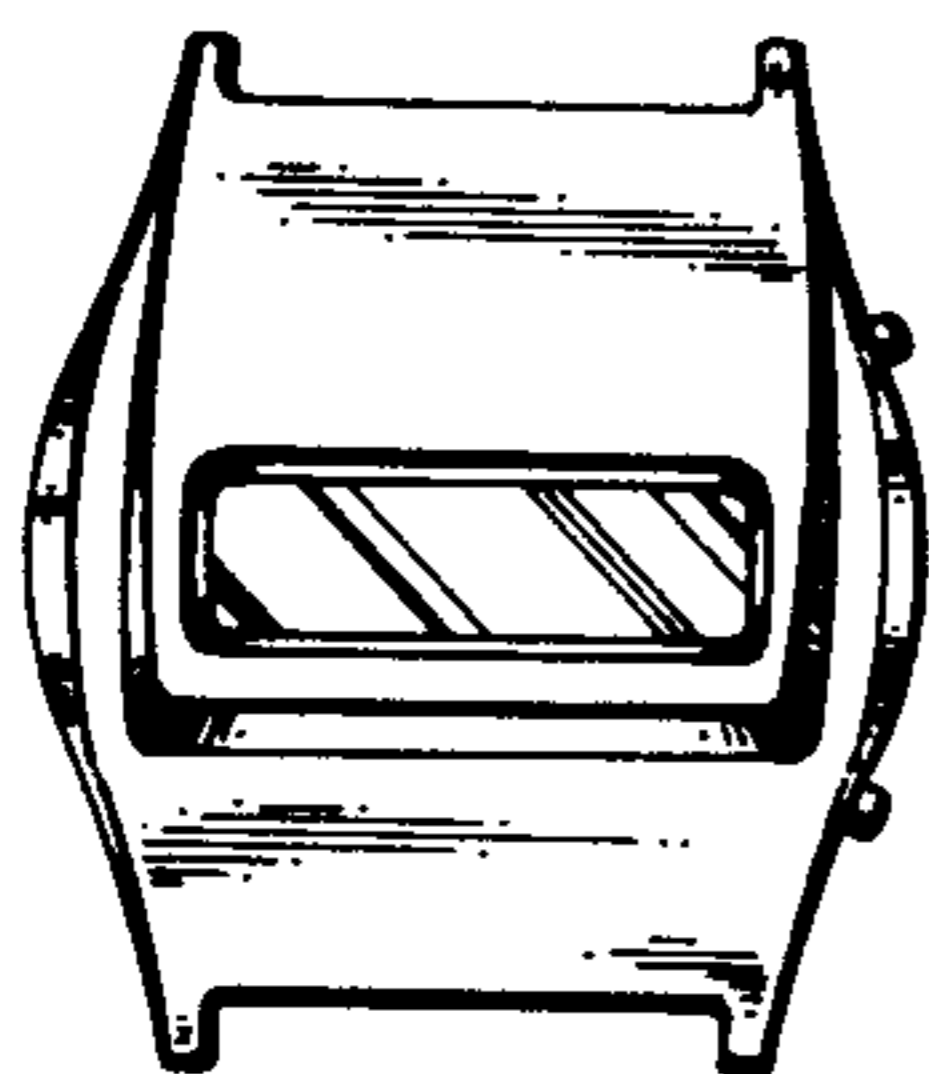


FIG. 2

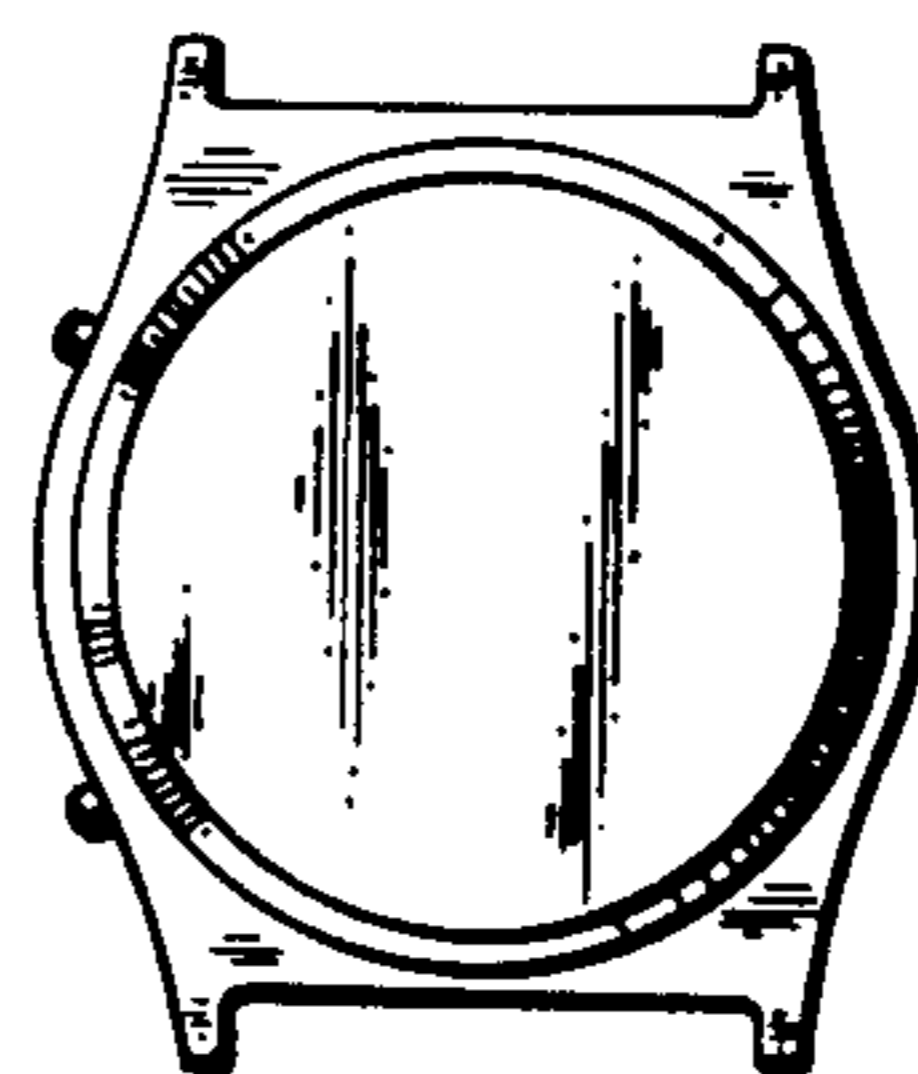


FIG. 5



FIG. 3

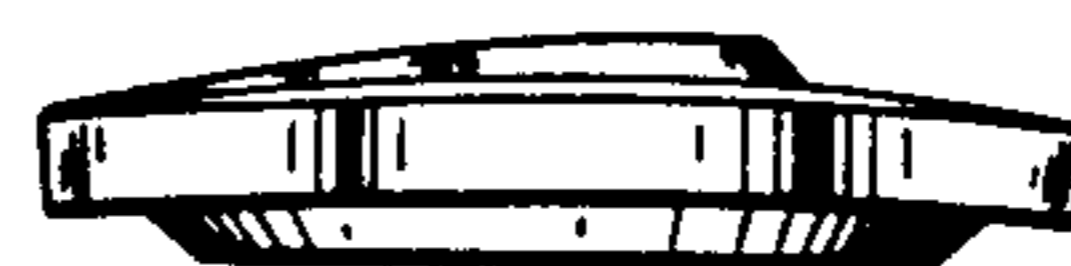


FIG. 4