

[54] DIGITAL CLOCK

[75] Inventor: Dana L. Vickery, Gardner, Mass.

[73] Assignee: Simplex Time Recorder Co., Gardner, Mass.

[\*\*] Term: 14 Years

[21] Appl. No.: 930,431

[22] Filed: Aug. 2, 1978

[51] Int. Cl. .... D10-01

[52] U.S. Cl. .... D10/15; D10/1; D10/25

[58] Field of Search ..... D10/1, 2, 15, 24, 25, D10/26; 58/53, 23 R, 50 R

[56] References Cited

U.S. PATENT DOCUMENTS

- D. 115,198 6/1937 Ciccarelli ..... D10/24 X
- D. 224,801 9/1972 Nagata ..... D10/26 X
- D. 228,406 9/1973 Thomas ..... D10/1

D. 252,499 7/1979 Shimasaki ..... D10/15

OTHER PUBLICATIONS

*Jeweler's Circular-Keystone*, p. 114-Clock.  
*Home Furn. Daily*, 6/2/75, p. 2 of supplement-Dig. Clock at center #22536.

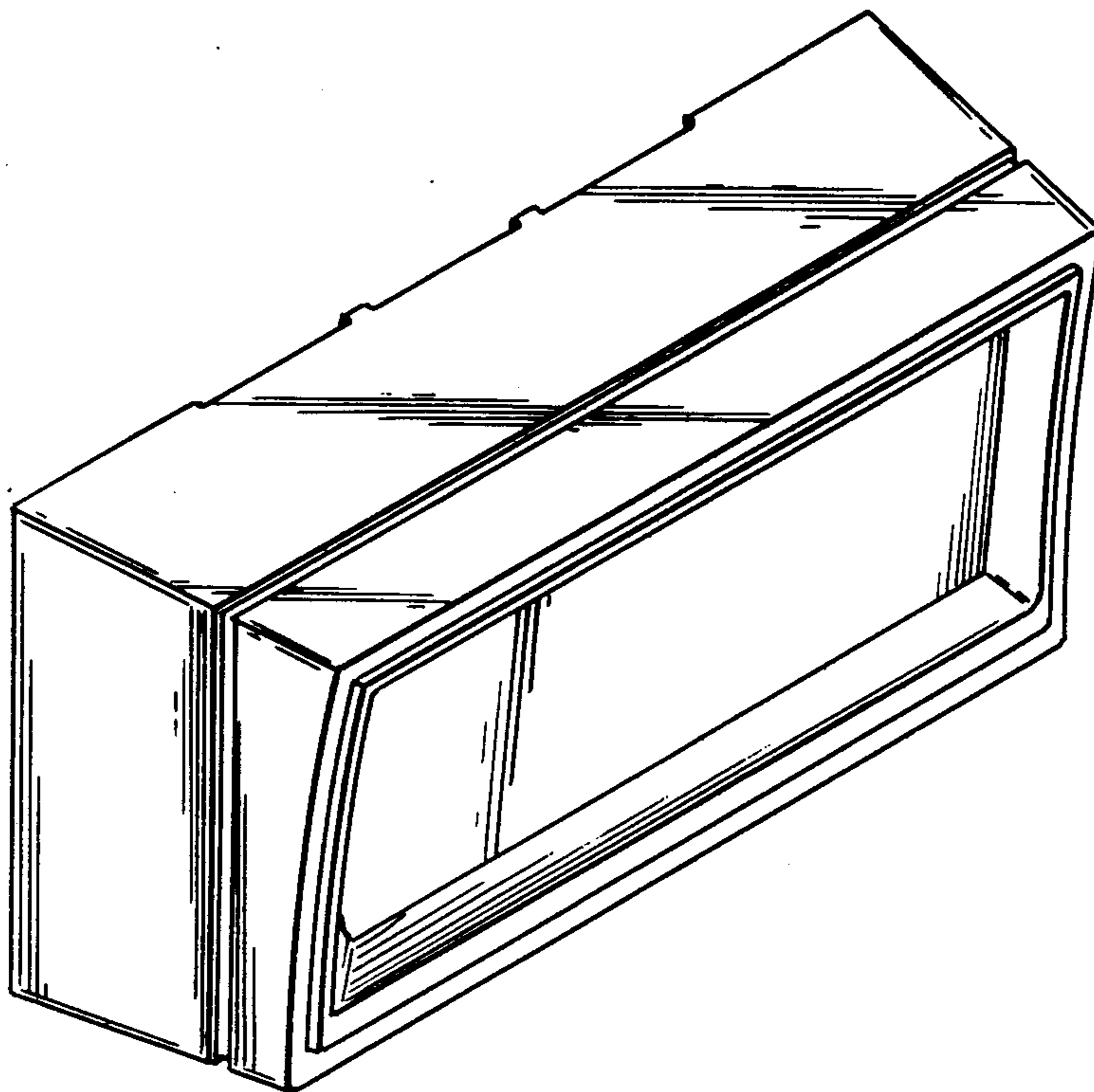
Primary Examiner—Nelson Holtje  
Attorney, Agent, or Firm—Arthur H. Seidel

[57] CLAIM

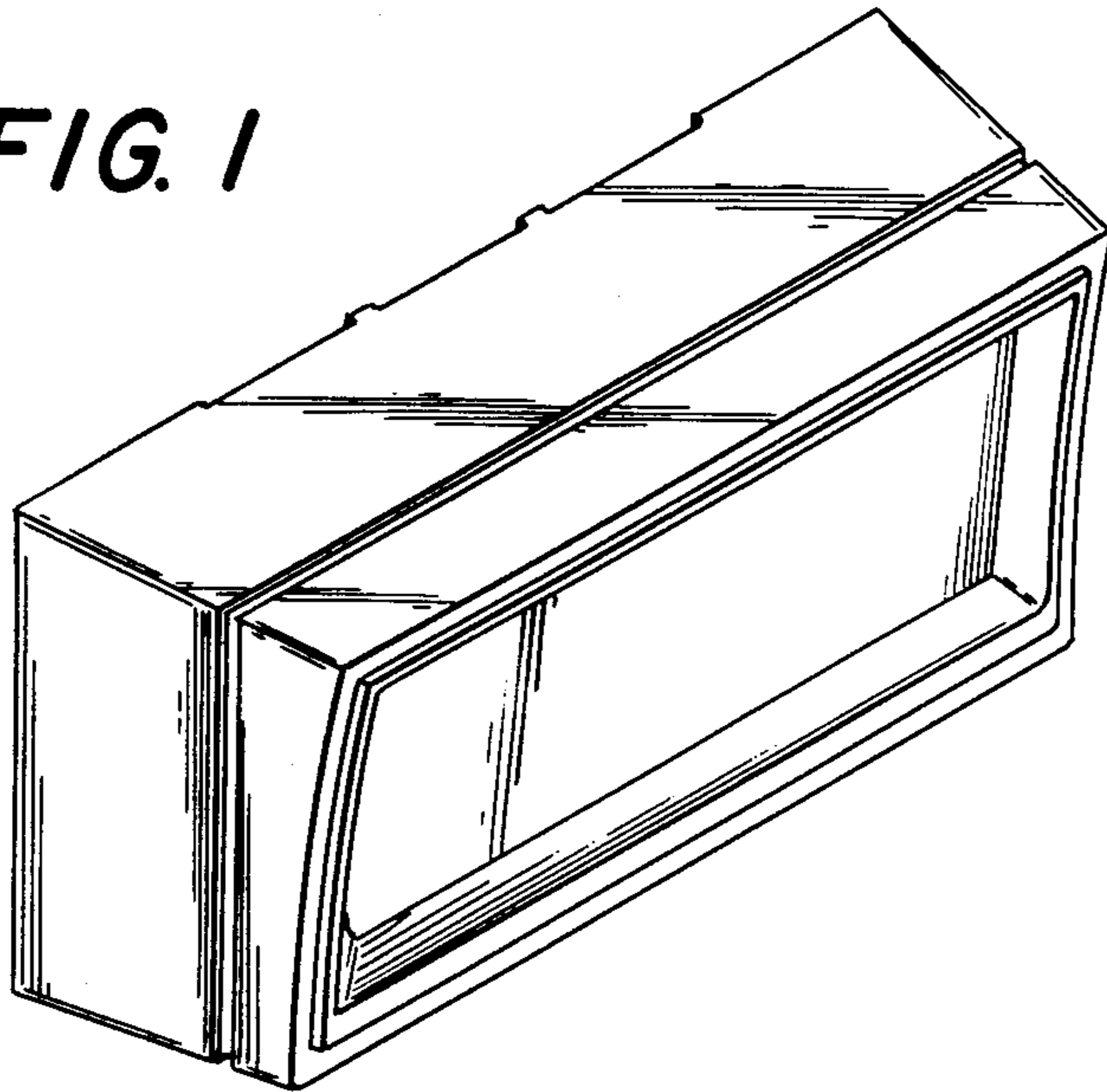
The ornamental design for a digital clock, substantially as shown and described.

DESCRIPTION

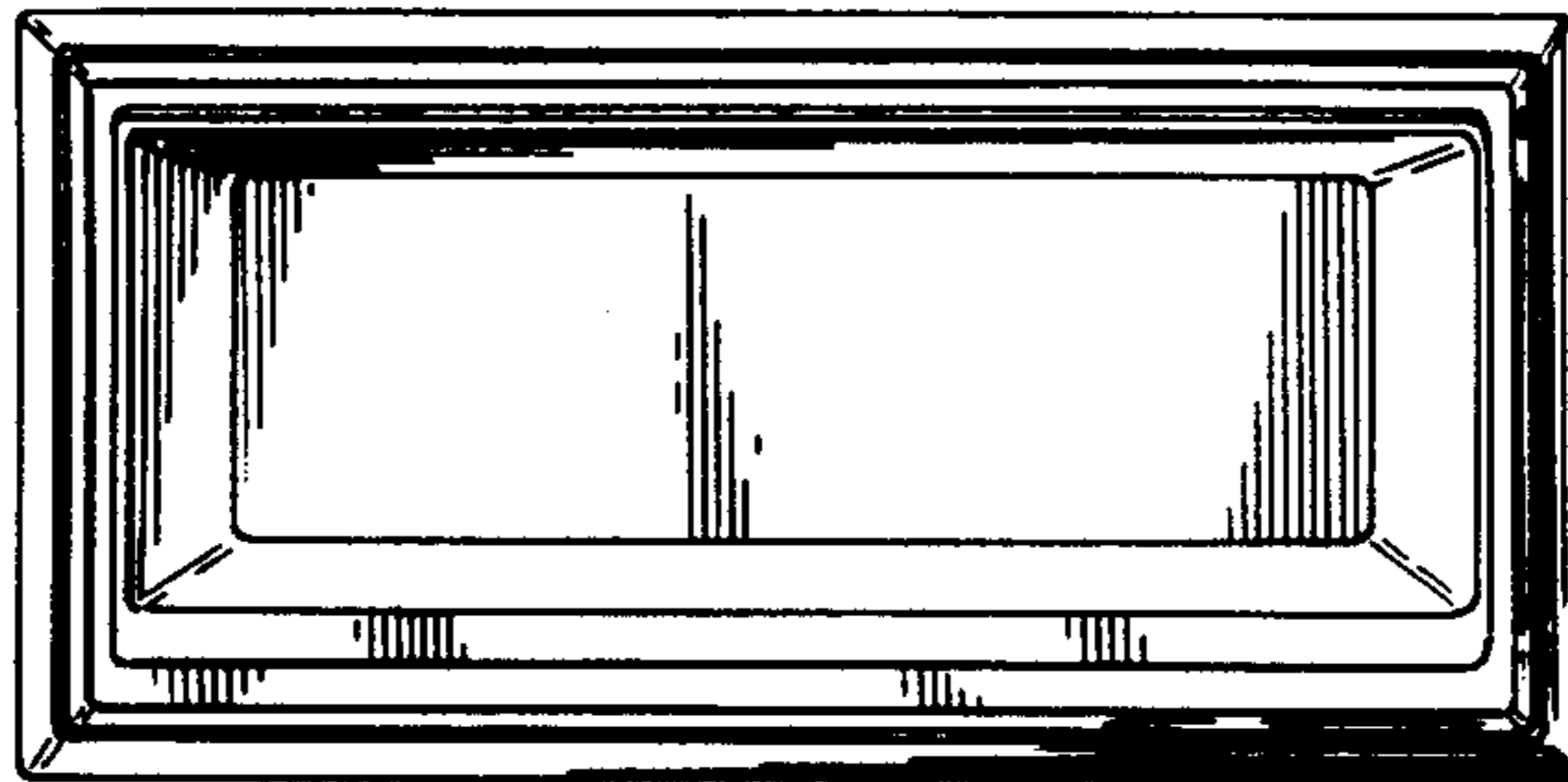
FIG. 1 is a left front perspective view of a digital clock showing my new design;  
FIG. 2 is a front elevational view thereof;  
FIG. 3 is a rear elevational view thereof;  
FIG. 4 is a top plan view thereof;  
FIG. 5 is a bottom plan view thereof;  
FIG. 6 is a right side elevational view thereof.



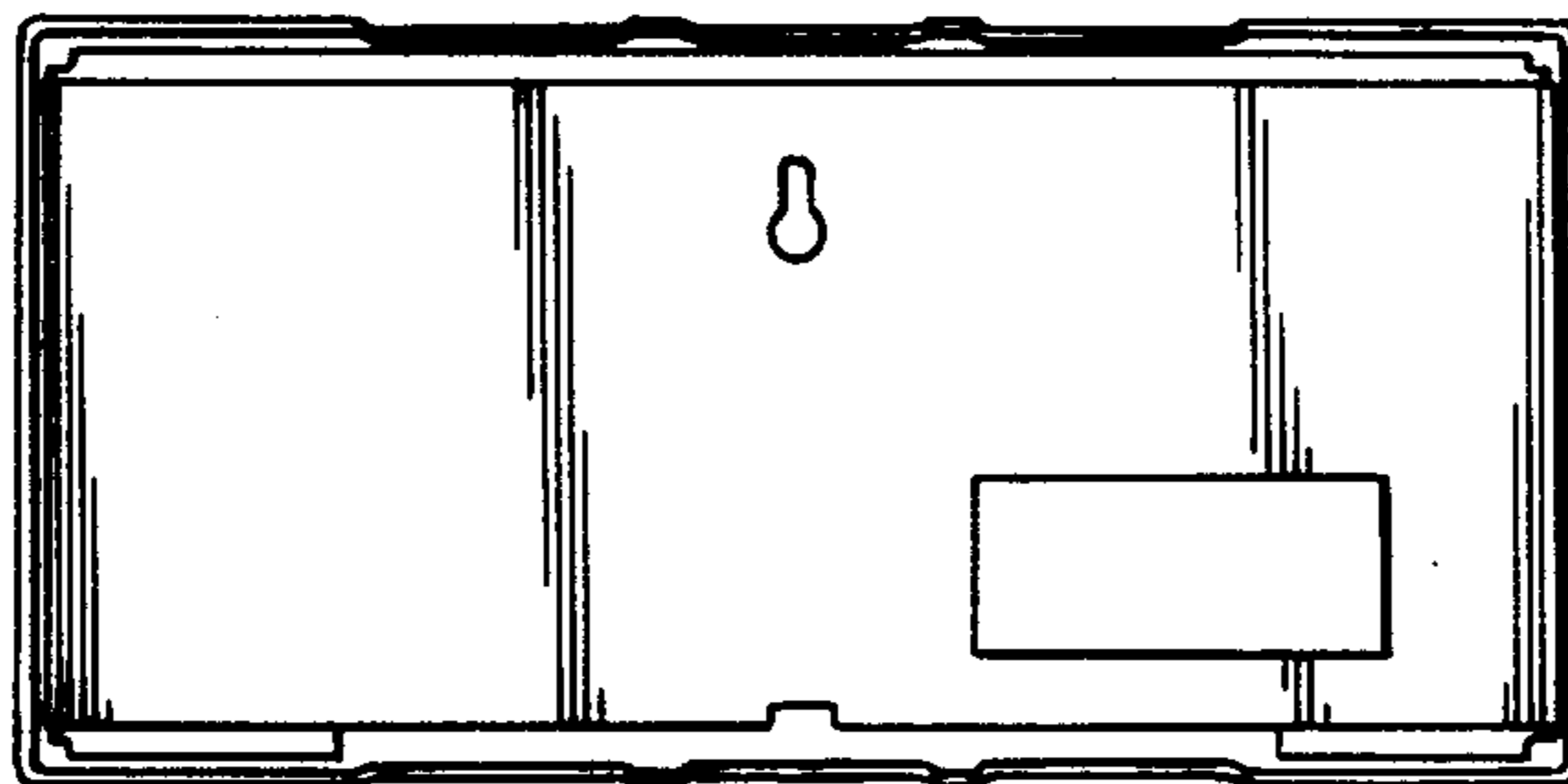
**FIG. 1**



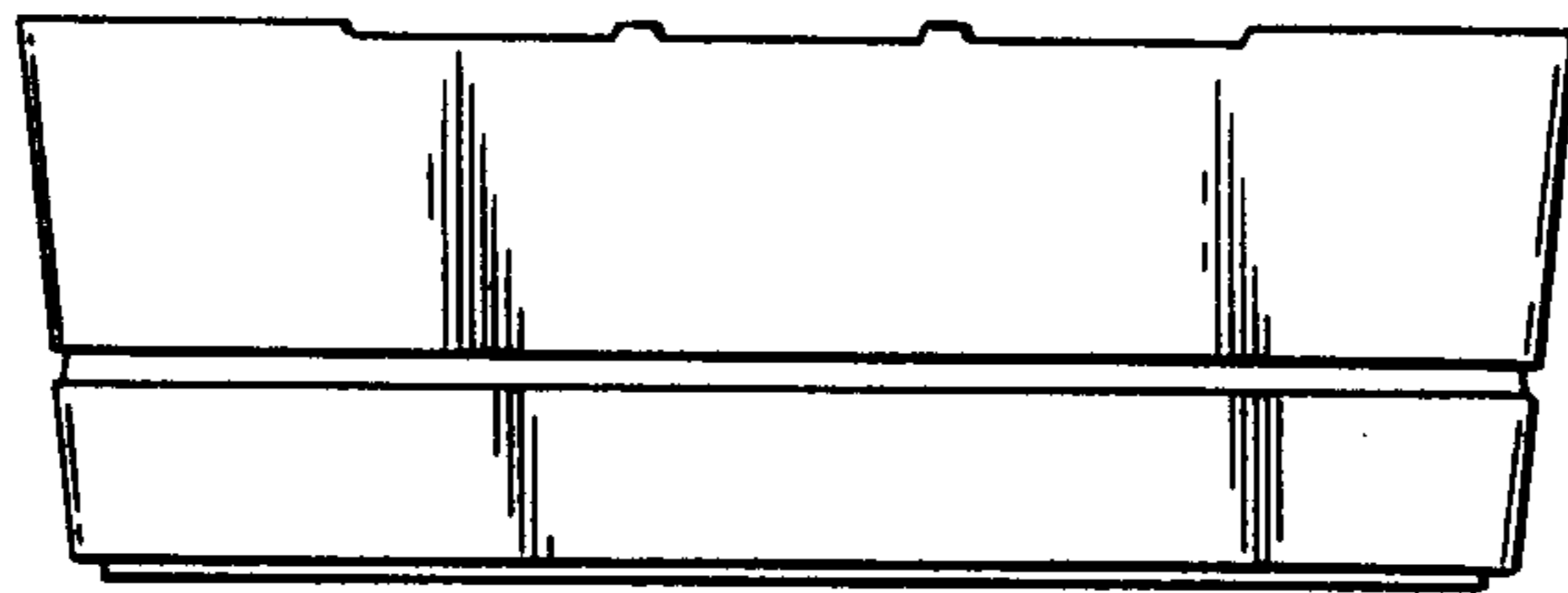
**FIG. 2**



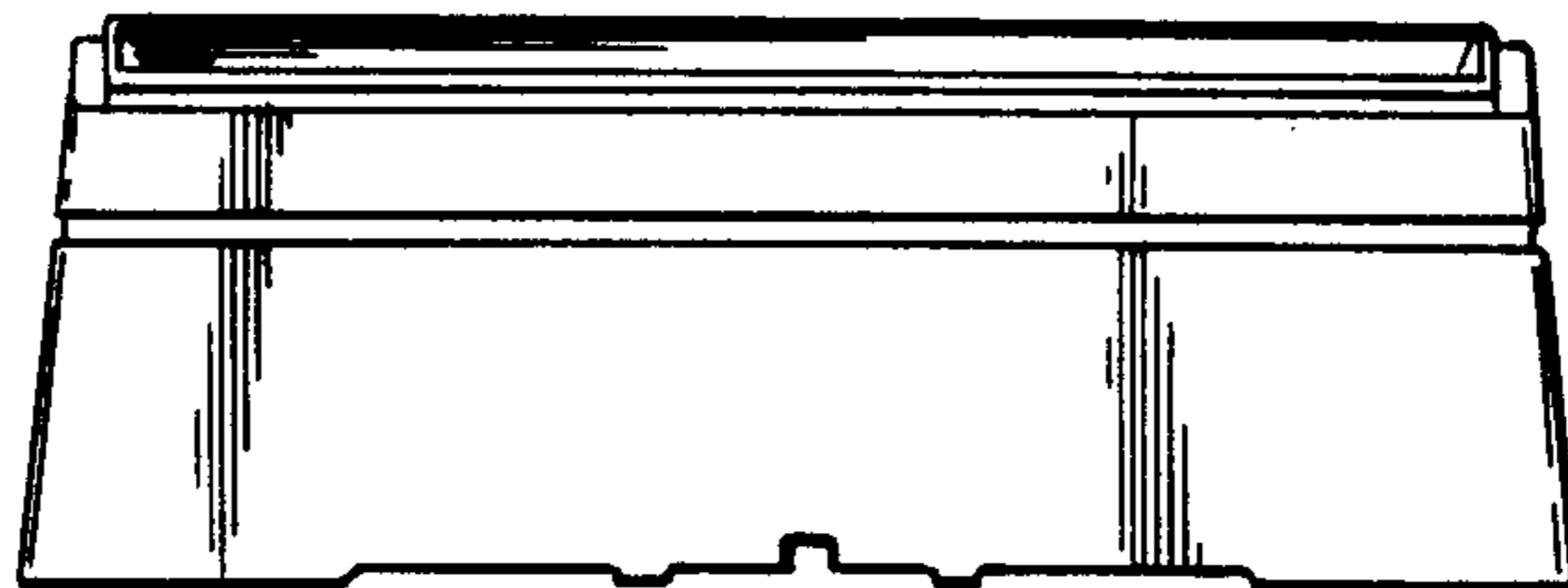
**FIG. 3**



**FIG. 4**



**FIG. 5**



**FIG. 6**

