

[54] EARTH PIERCING TOOL FOR SIGN INSTALLATION

[76] Inventor: Gary D. Parker, 16500 W. Center Rd., Omaha, Nebr. 68130

[**] Term: 7 Years

[21] Appl. No.: 944,032

[22] Filed: Sep. 18, 1978

[51] Int. Cl. D8-01

[52] U.S. Cl. D8/14; D8/1

[58] Field of Search D8/1, 14; D15/10; 40/606, 607, 612; 52/103, 105, 155; D20/19, 41, 42, 43

3,143,817 8/1964 Paulson 40/606

3,367,426 2/1968 Lavery 52/103

4,127,972 12/1978 Reimoser 52/103

Primary Examiner—Sam Rosen
 Attorney, Agent, or Firm—William D. West

[57] CLAIM

The ornamental design for an earth piercing tool for sign installation, substantially as shown and described.

DESCRIPTION

FIG. 1 is a perspective view of the earth piercing tool for sign installation, showing my new design.

FIG. 2 is a top plan view wherein the bottom plan view is a mirror image thereof;

FIG. 3 is a right side view wherein the left side view is a mirror image thereof;

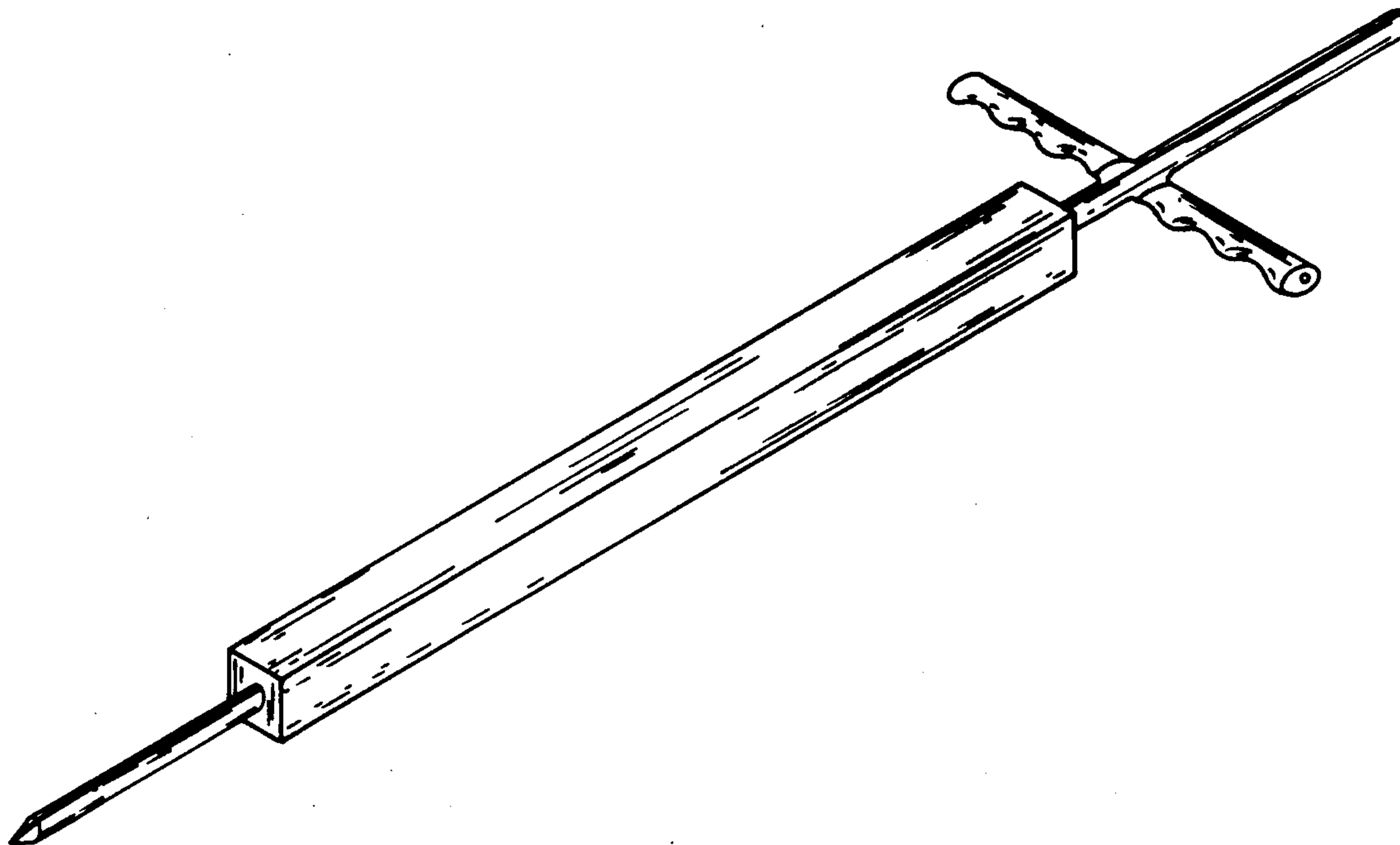
FIG. 4 is a front view thereof; and

FIG. 5 is a rear view thereof.

[56] References Cited

U.S. PATENT DOCUMENTS

D. 239,820 5/1976 Retrum D8/1



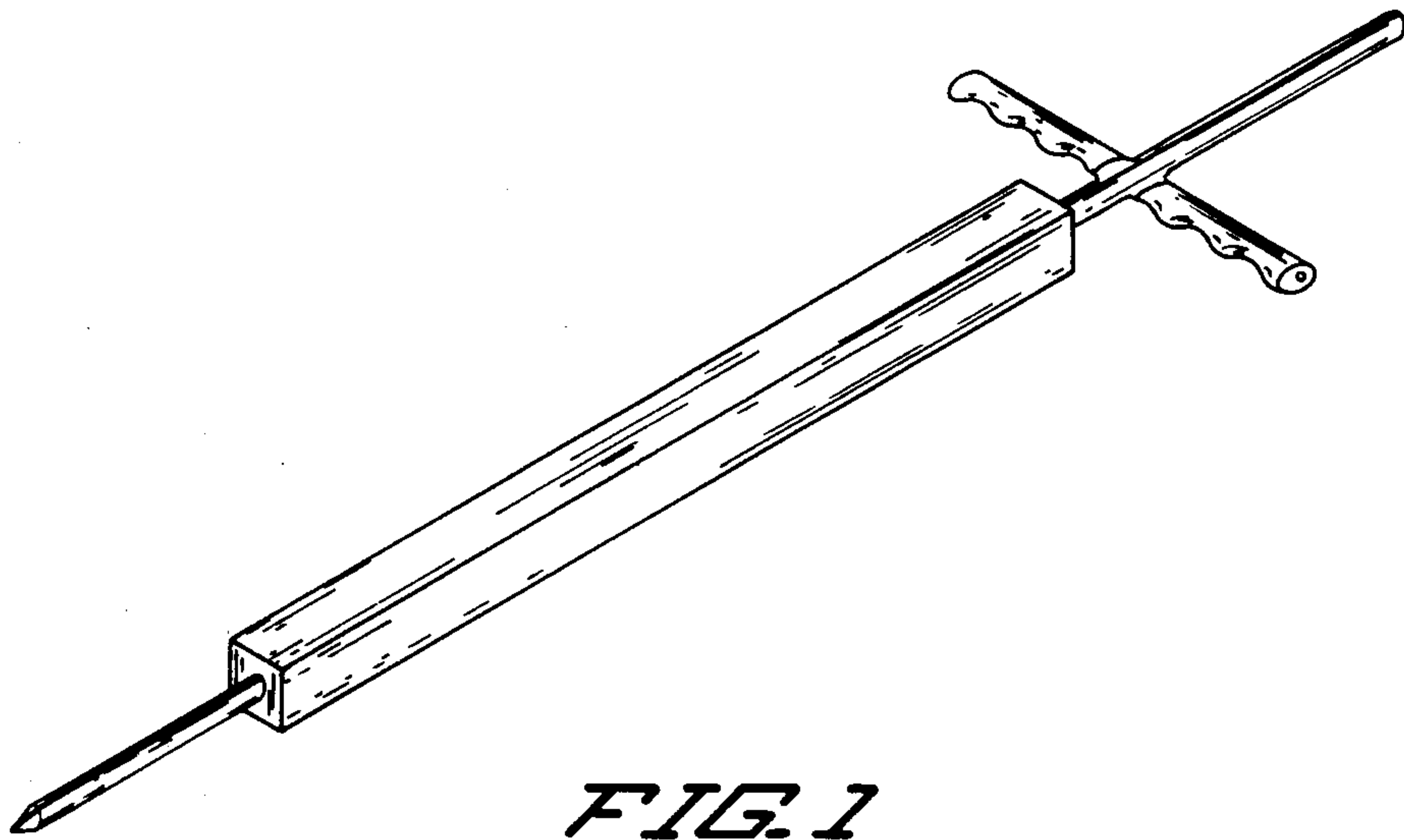


FIG. 1



FIG. 2

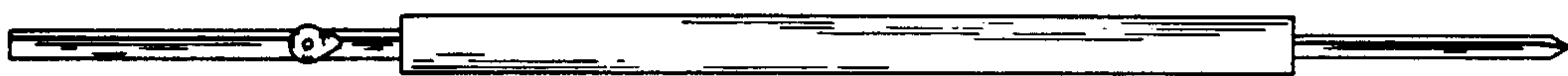


FIG. 3



FIG. 4



FIG. 5