

- [54] SNOW SHOVEL SCOOP
- [75] Inventor: David R. Bonnes, Columbus, Ohio
- [73] Assignee: The Union Fork & Hoe Company, Columbus, Ohio
- [\*\*] Term: 14 Years
- [21] Appl. No.: 903,986
- [22] Filed: May 8, 1978
- [51] Int. Cl. .... D08—01
- [52] U.S. Cl. .... D8/10; 294/54
- [58] Field of Search ..... D8/10; 294/54, 55, 49

3,177,026 4/1965 Cowan ..... D8/10

Primary Examiner—W. Stallard  
Attorney, Agent, or Firm—William V. Miller

[57] CLAIM

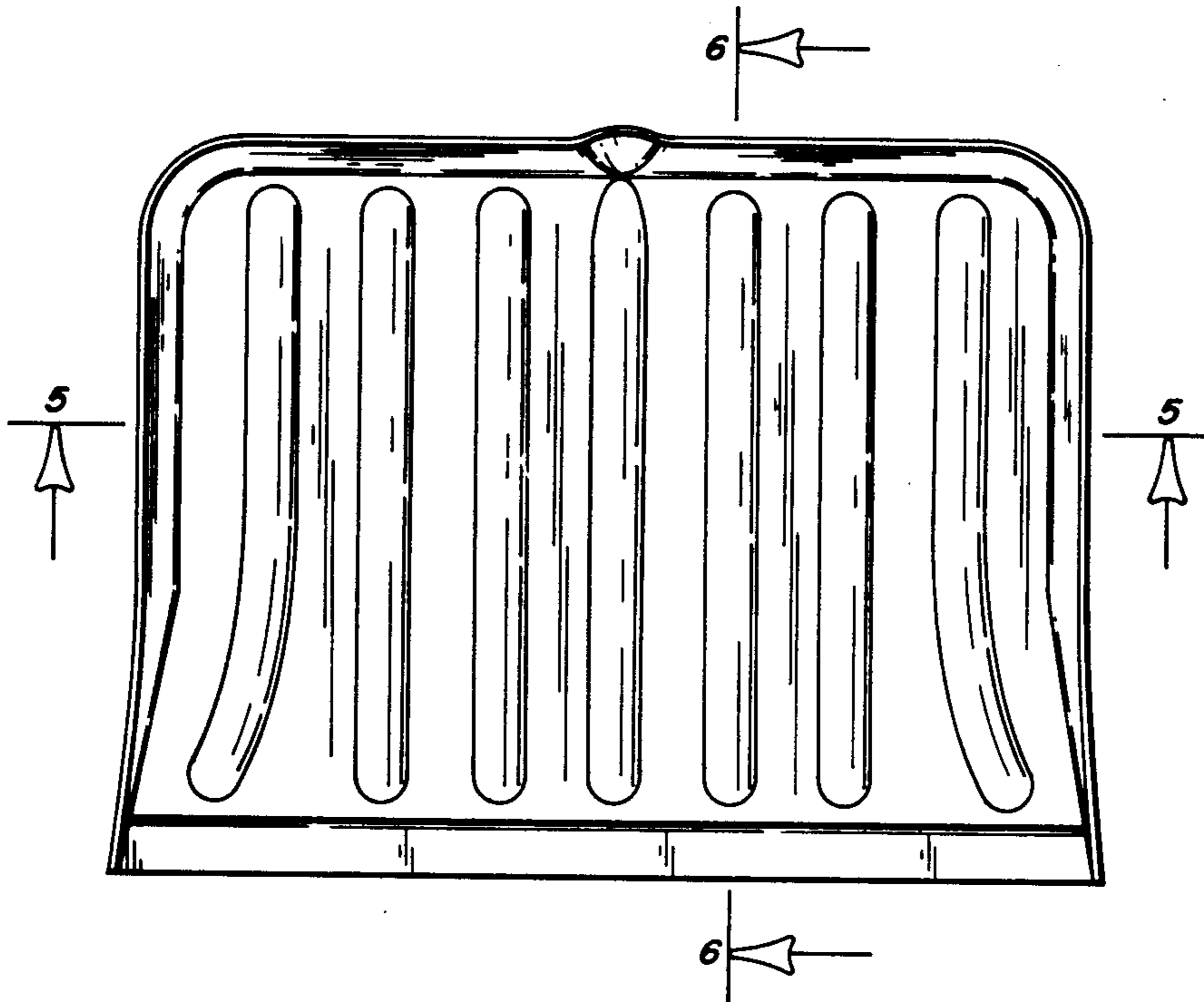
The ornamental design for a snow shovel scoop, substantially as shown.

DESCRIPTION

FIG. 1 is a face view of the snow shovel scoop;  
FIG. 2 is a top edge view;  
FIG. 3 is a view of the back of the scoop;  
FIG. 4 is a side edge view of the scoop;  
FIG. 5 is a sectional view taken along line 5—5 of FIG. 1; and  
FIG. 6 is a sectional view taken along line 6—6 of FIG. 1.

The ornamental design results in the article as shown in the several figures of the drawings.

- [56] References Cited
- U.S. PATENT DOCUMENTS
- D. 213,630 3/1969 Hoxie et al. .... D8/10
- 3,104,908 9/1963 McDonald ..... 294/54



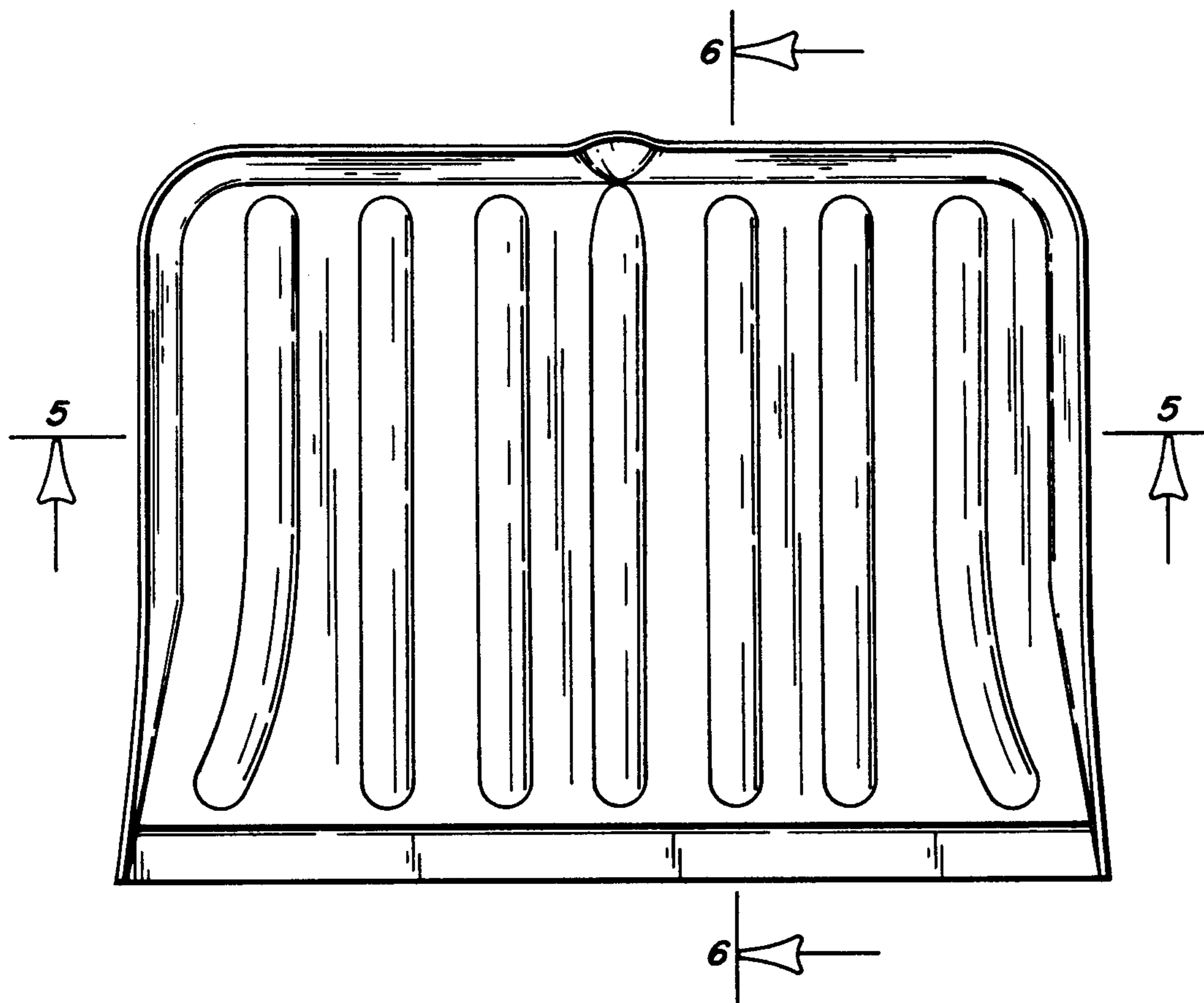


FIG. 1

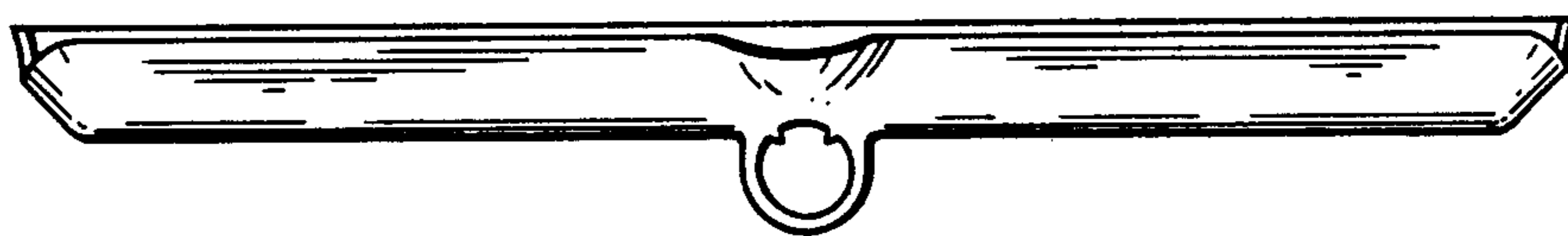


FIG. 2

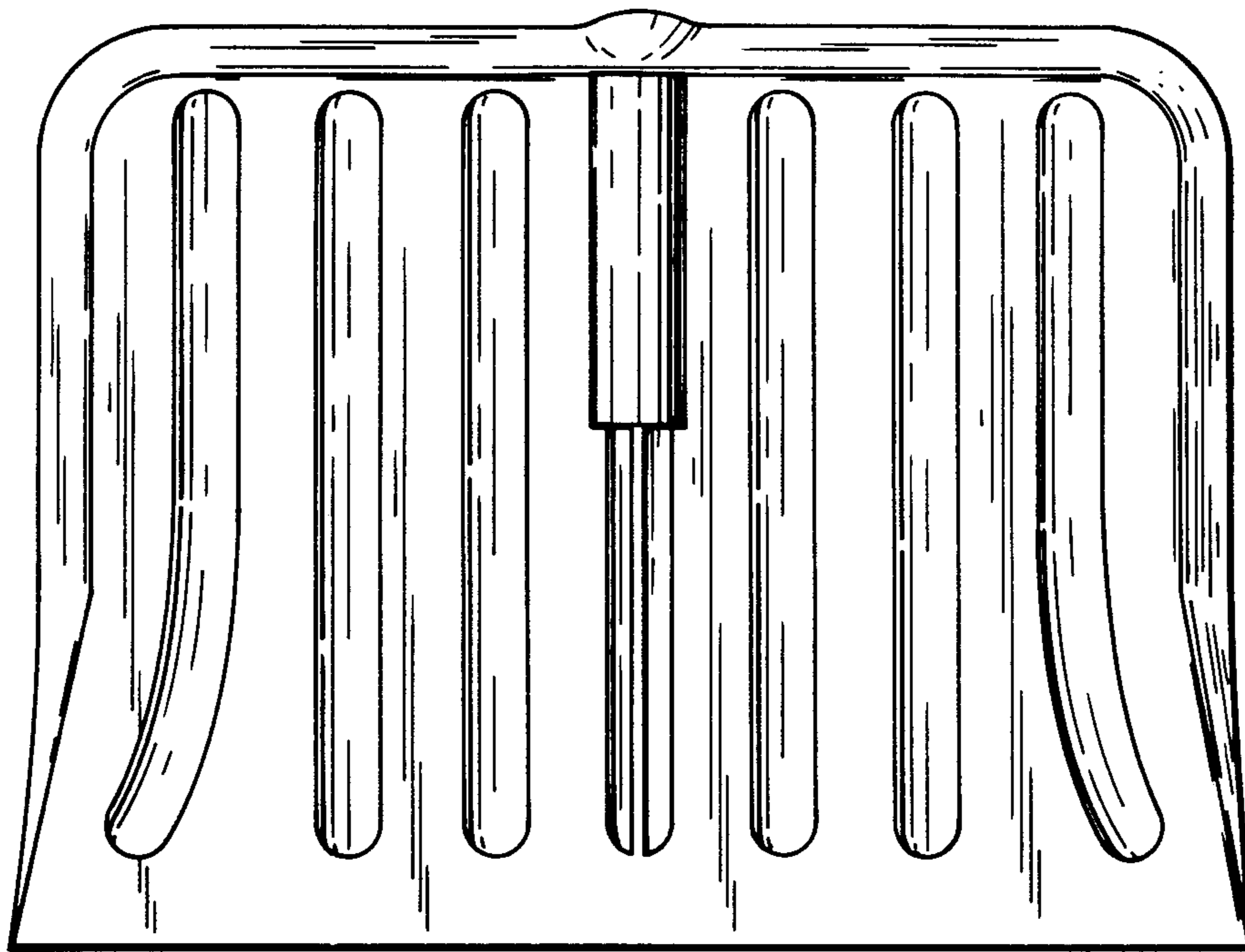


FIG. 3

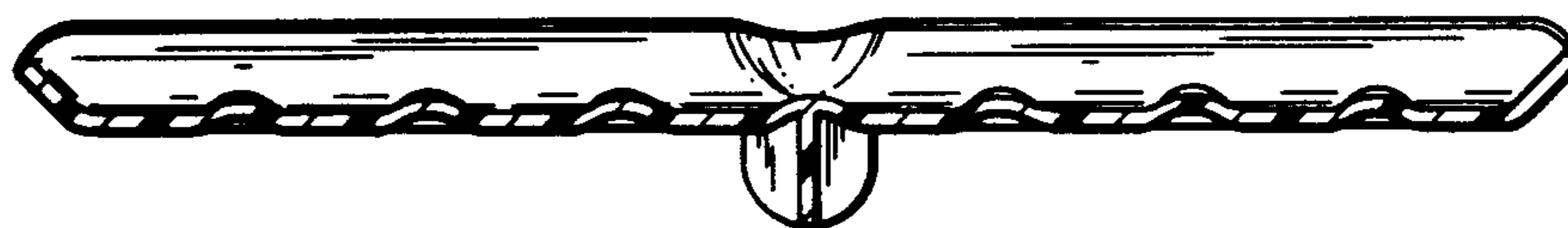


FIG. 5



FIG. 4

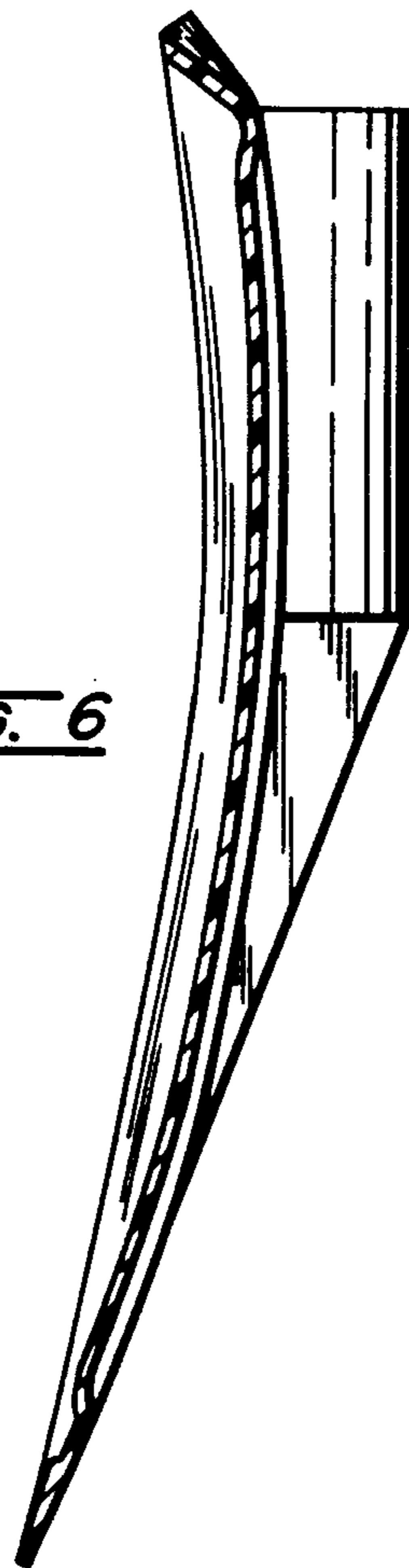


FIG. 6