

[54] CHARCOAL GRILL WITH KINDLING STRUCTURE

[76] Inventor: Reynold D. Tisdale, 2 Atlantic Ave., Hampton Beach, N.H. 03842

[\*\*] Term: 14 Years

[21] Appl. No.: 896,160

[22] Filed: Apr. 13, 1978

[51] Int. Cl. .... D7-02

[52] U.S. Cl. .... D7/110

[58] Field of Search ..... D7/107, 108, 109, 110; 126/25 R, 25 A, 25 AA, 25 B, 25 C, 29, 30, 9 R, 9 A, 9 B

[56] References Cited

U.S. PATENT DOCUMENTS

3,396,715 8/1968 Allen ..... 126/25 B  
3,481,267 12/1969 Saiki ..... 126/25R

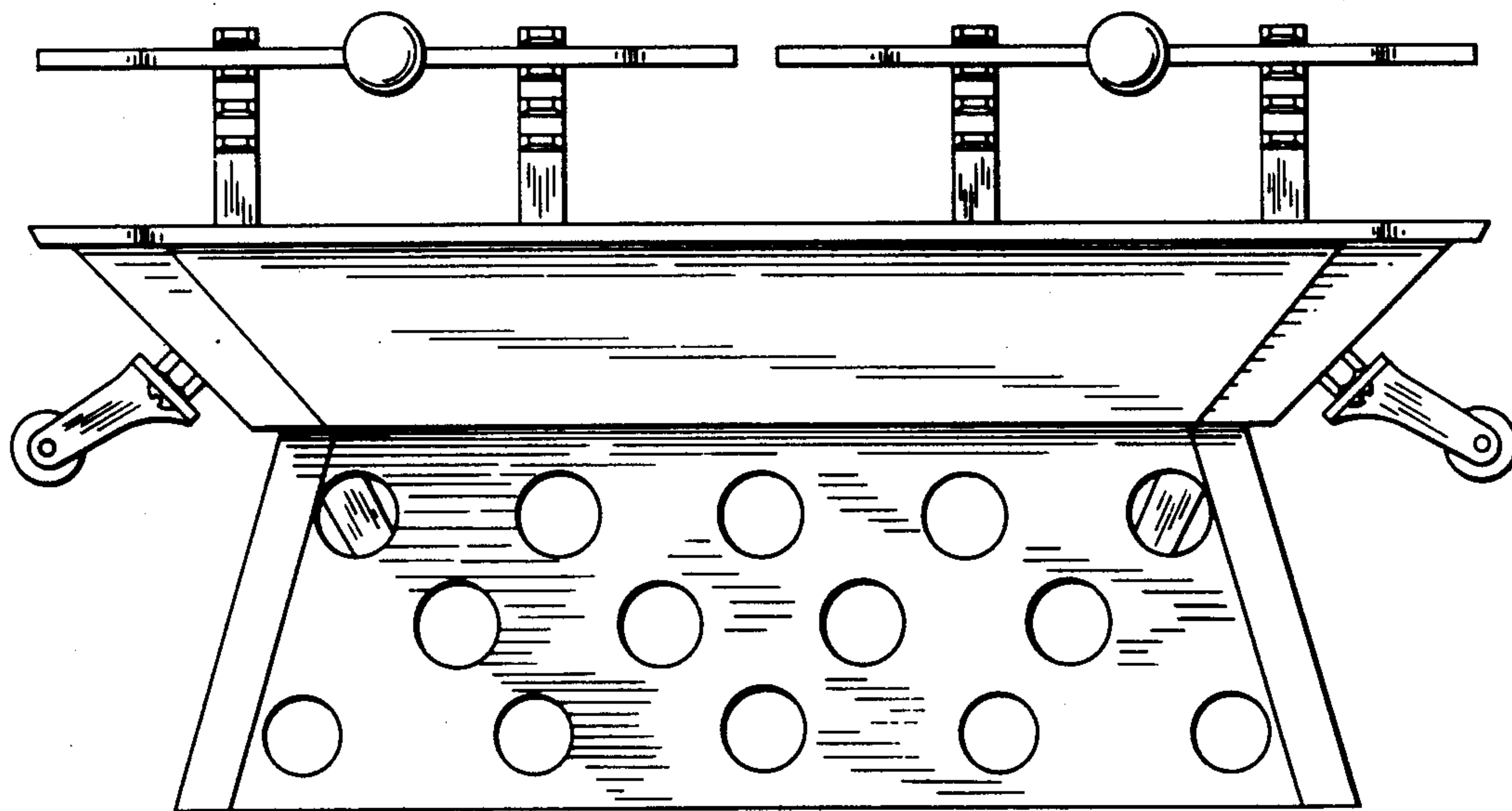
Primary Examiner—Catherine E. Kemper  
Attorney, Agent, or Firm—Robert T. Dunn

[57] CLAIM

The ornamental design for a charcoal grill with kindling structure, as shown and described.

DESCRIPTION

FIG. 1 is a front elevation view of a charcoal grill with kindling structure showing my new design; FIG. 2 is a top plan view thereof; FIG. 3 is a bottom plan view thereof; FIG. 4 is a side elevation view thereof; and FIG. 5 is a rear elevation view thereof.



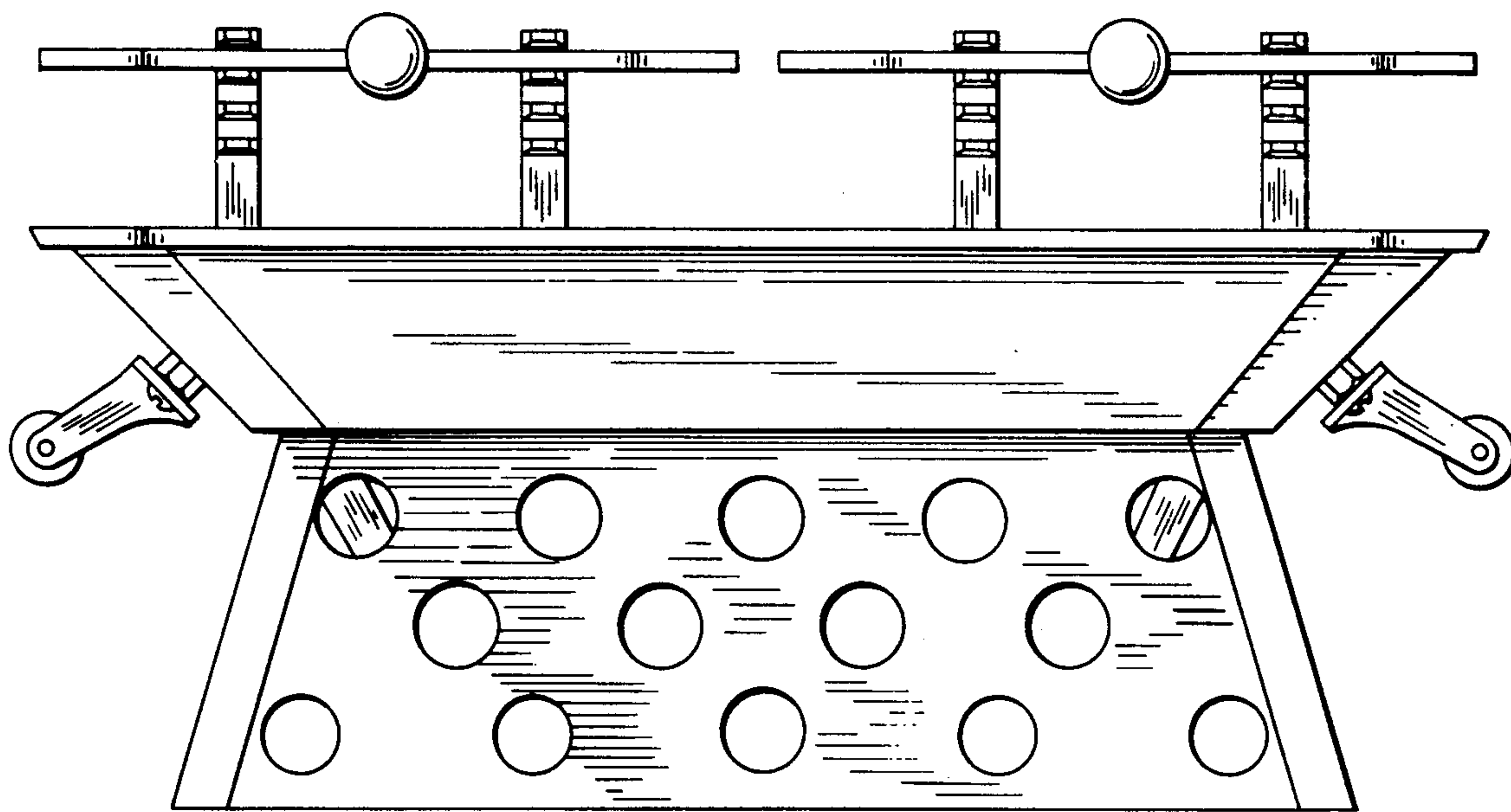


FIG. 1

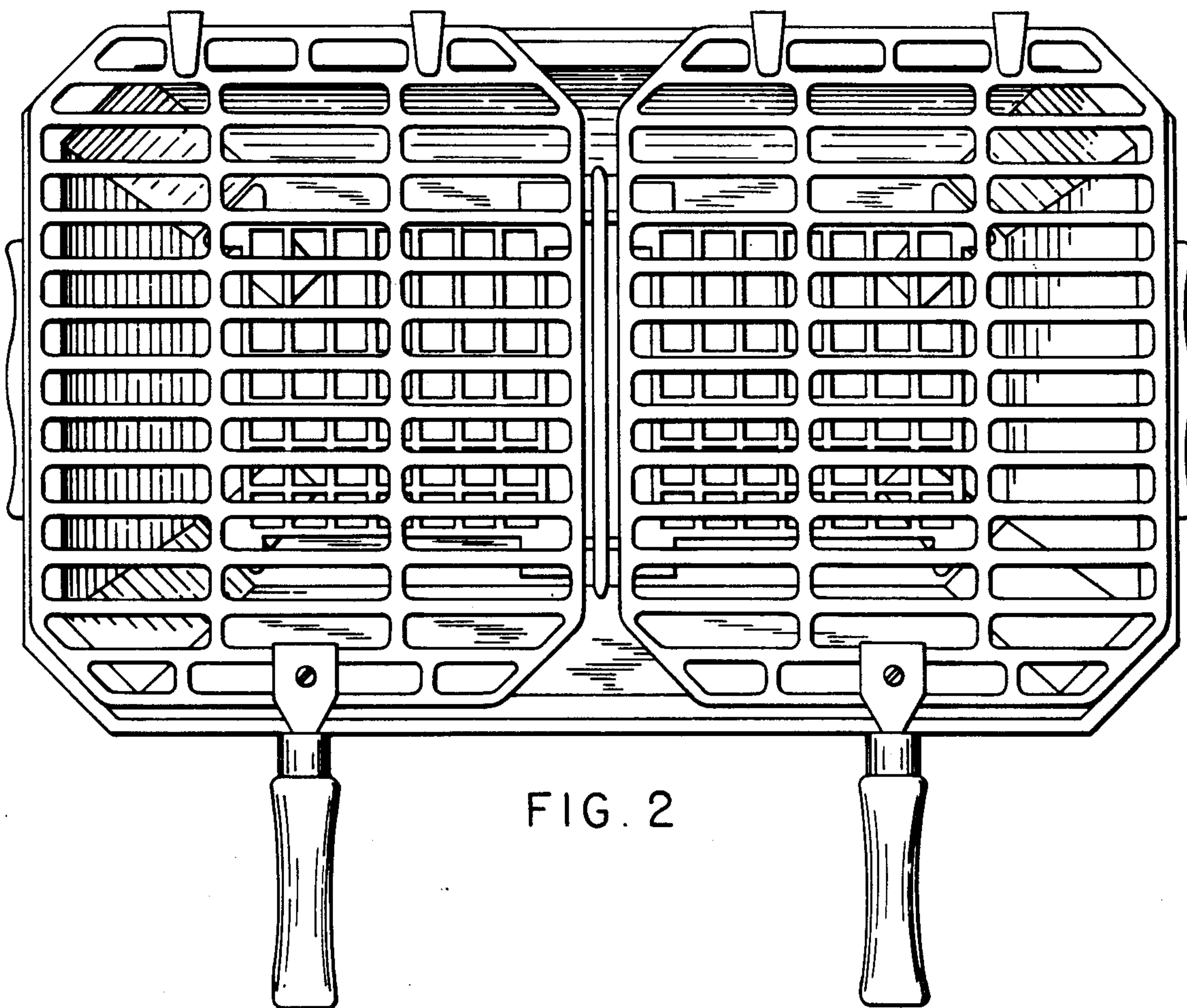


FIG. 2

FIG. 3

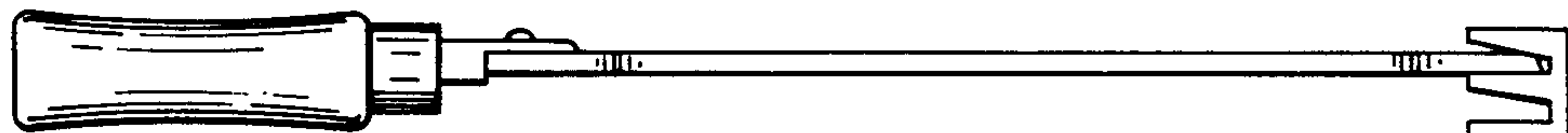
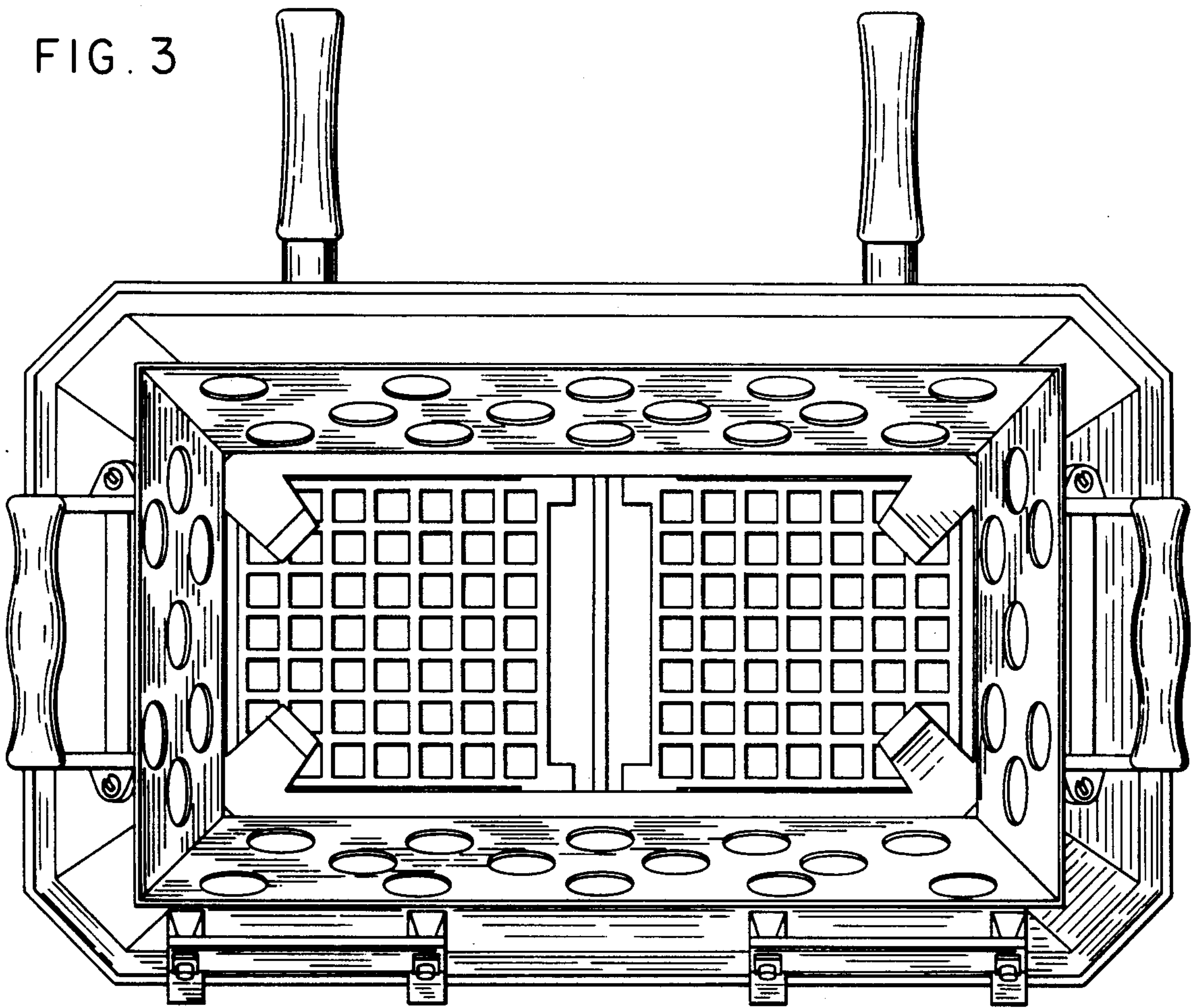
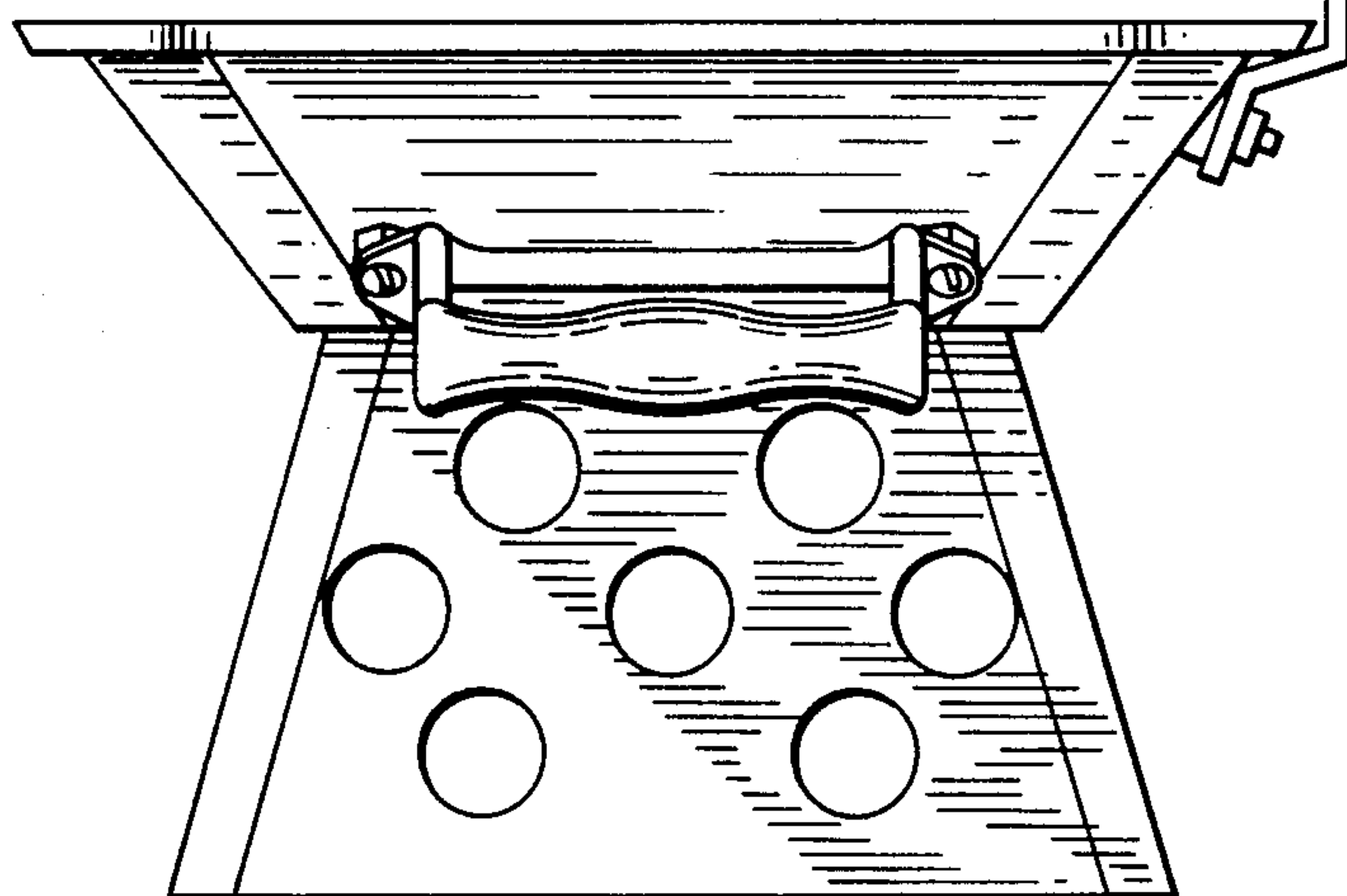


FIG. 4



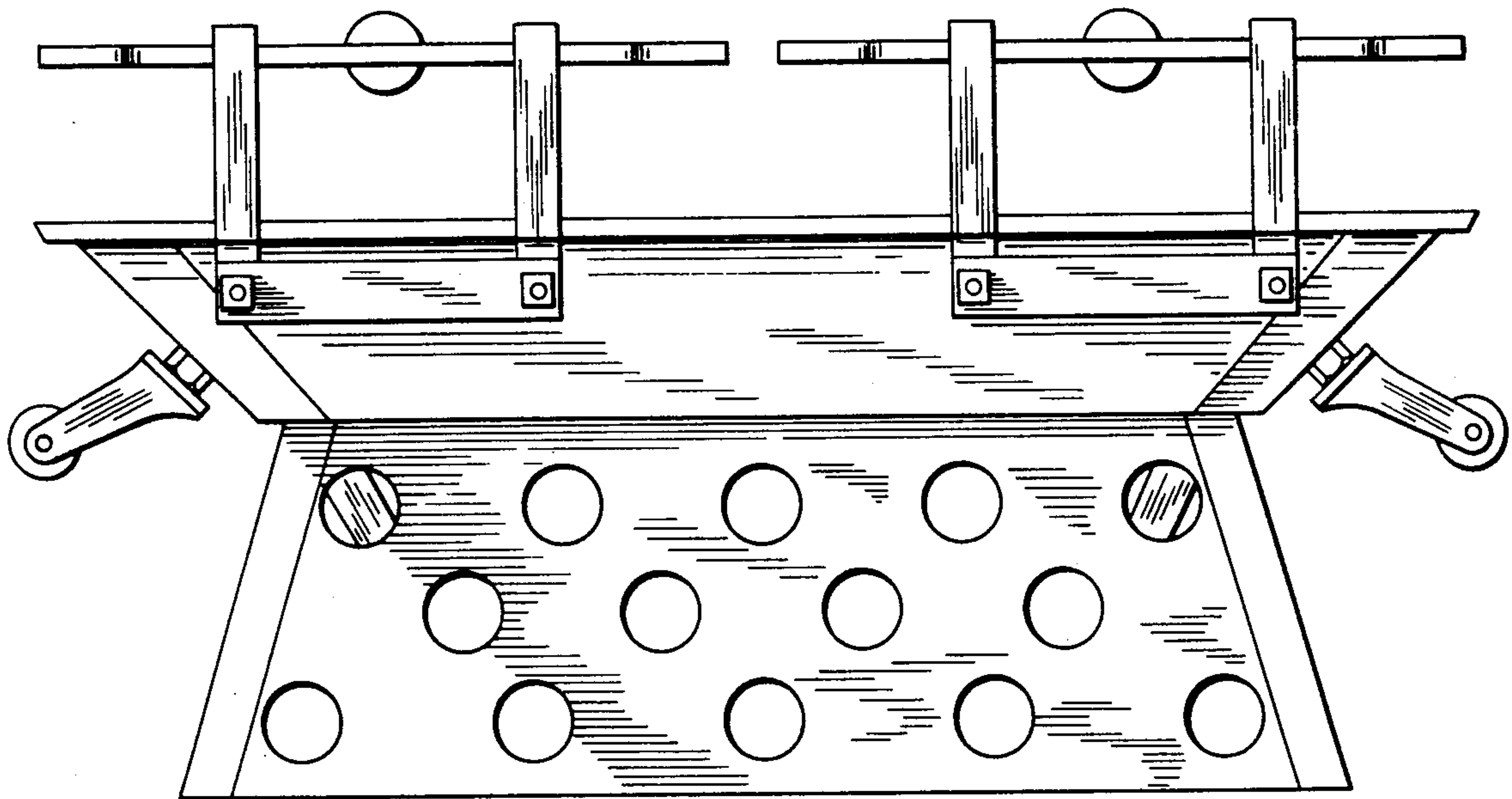


FIG. 5