

[54] TABLE GRILL

[76] Inventor: Michel Vincent, c/o Arreso Form ApS, 5 Havnevej, DK-3300 Frederiksvaerk, Denmark

[**] Term: 14 Years

[21] Appl. No.: 884,716

[22] Filed: Mar. 8, 1978

[30] Foreign Application Priority Data

Sep. 12, 1977 [DK] Denmark 700/77

[51] Int. Cl. D7-02; D6-03

[52] U.S. Cl. D7/107; D6/149

[58] Field of Search D7/107, 108, 109, 110; D6/146, 149; 126/25 R, 25 A, 25 AA, 25 B, 25 C, 29, 30, 9 R, 9 A, 9 B, 33, 37 R, 37 A, 37 B; 99/447, 448, 449, 450; 108/11, 13, 38, 50

[56] References Cited

U.S. PATENT DOCUMENTS

D. 131,939 4/1942 Robinson D7/107
D. 142,417 9/1945 Jones D7/107

D. 246,687 12/1977 Selva D7/107
540,178 5/1895 Merceret 108/50 X
3,491,744 1/1970 Kohorn et al. D7/108 X

Primary Examiner—Catherine E. Kemper
Attorney, Agent, or Firm—Robert Osann

[57] CLAIM

The ornamental design for a table grill, substantially as shown and described.

DESCRIPTION

FIG. 1 is a front perspective view of my design for a table grill in the open position, with the cover displaced to the back thereof;
FIG. 2 is a front elevational view thereof with the cover positioned over the grill;
FIG. 3 is a side, elevational view thereof in the position as shown in FIG. 2, the other side being the same;
FIG. 4 is a front elevational view thereof in the closed position;
FIG. 5 is a side elevational view thereof in the closed position, the other side being the same;
FIG. 6 is bottom plan view thereof in the closed position; and
FIG. 7 is a top plan view thereof in the closed position.

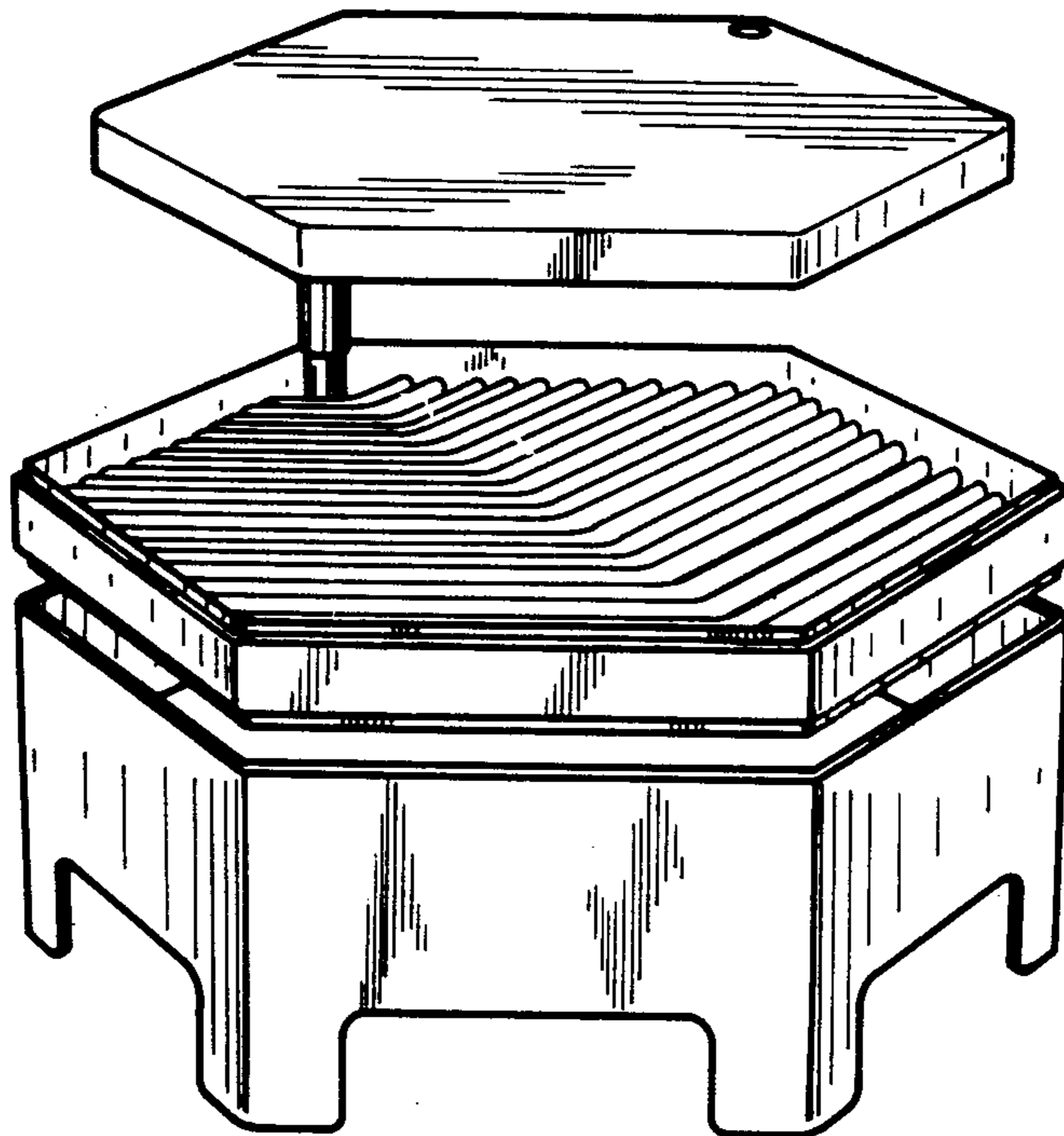
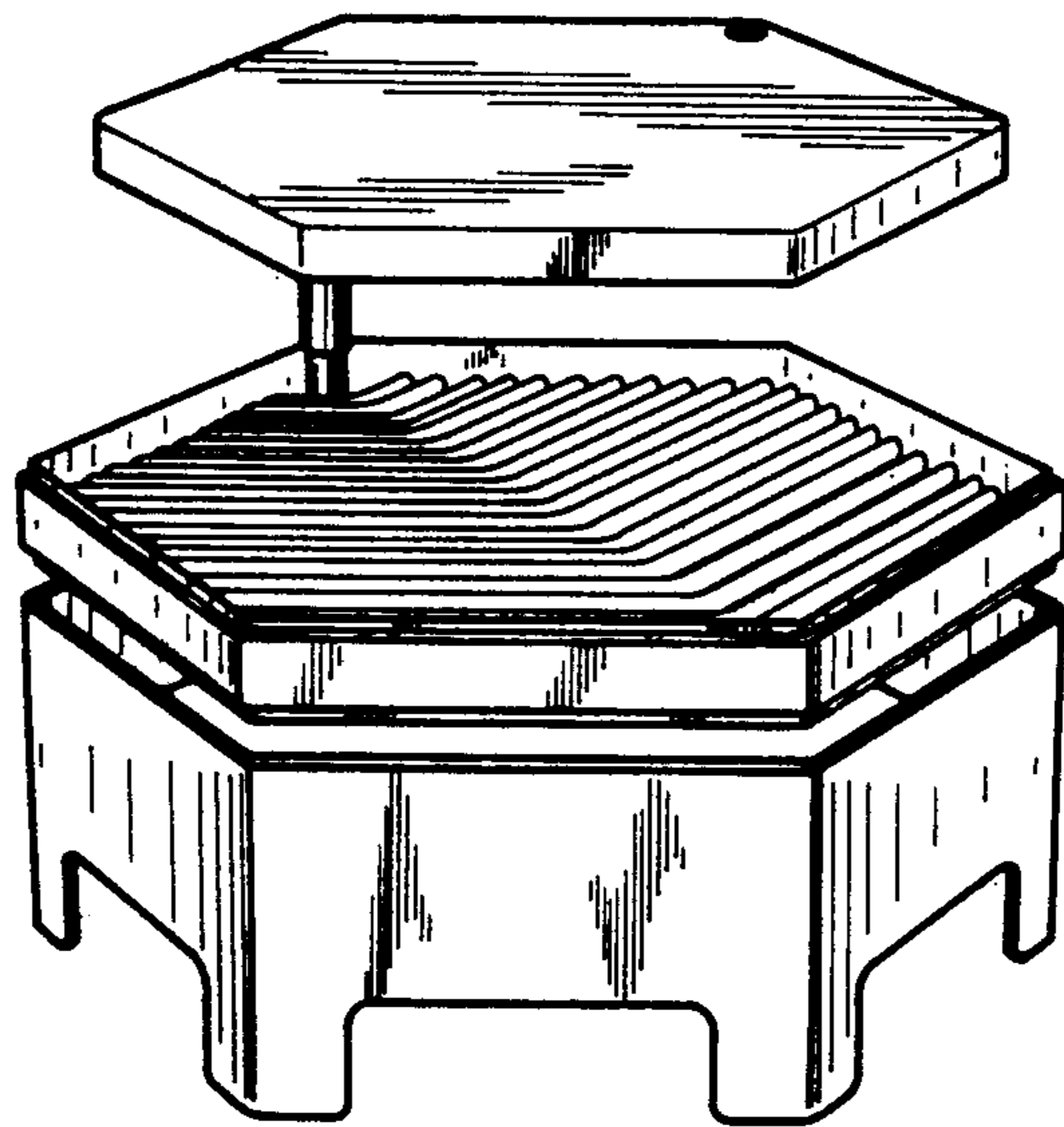


FIG. 1



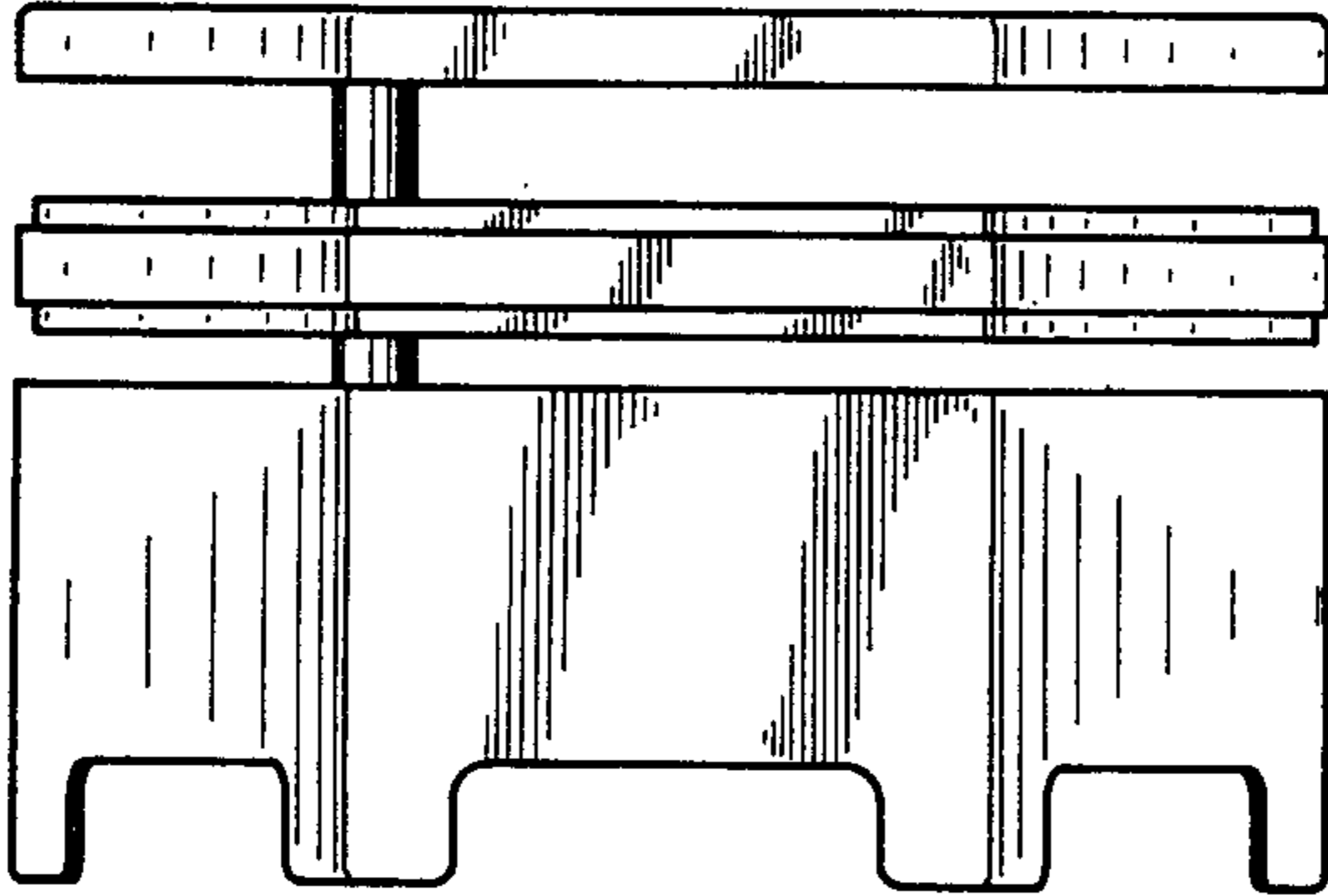


FIG. 2

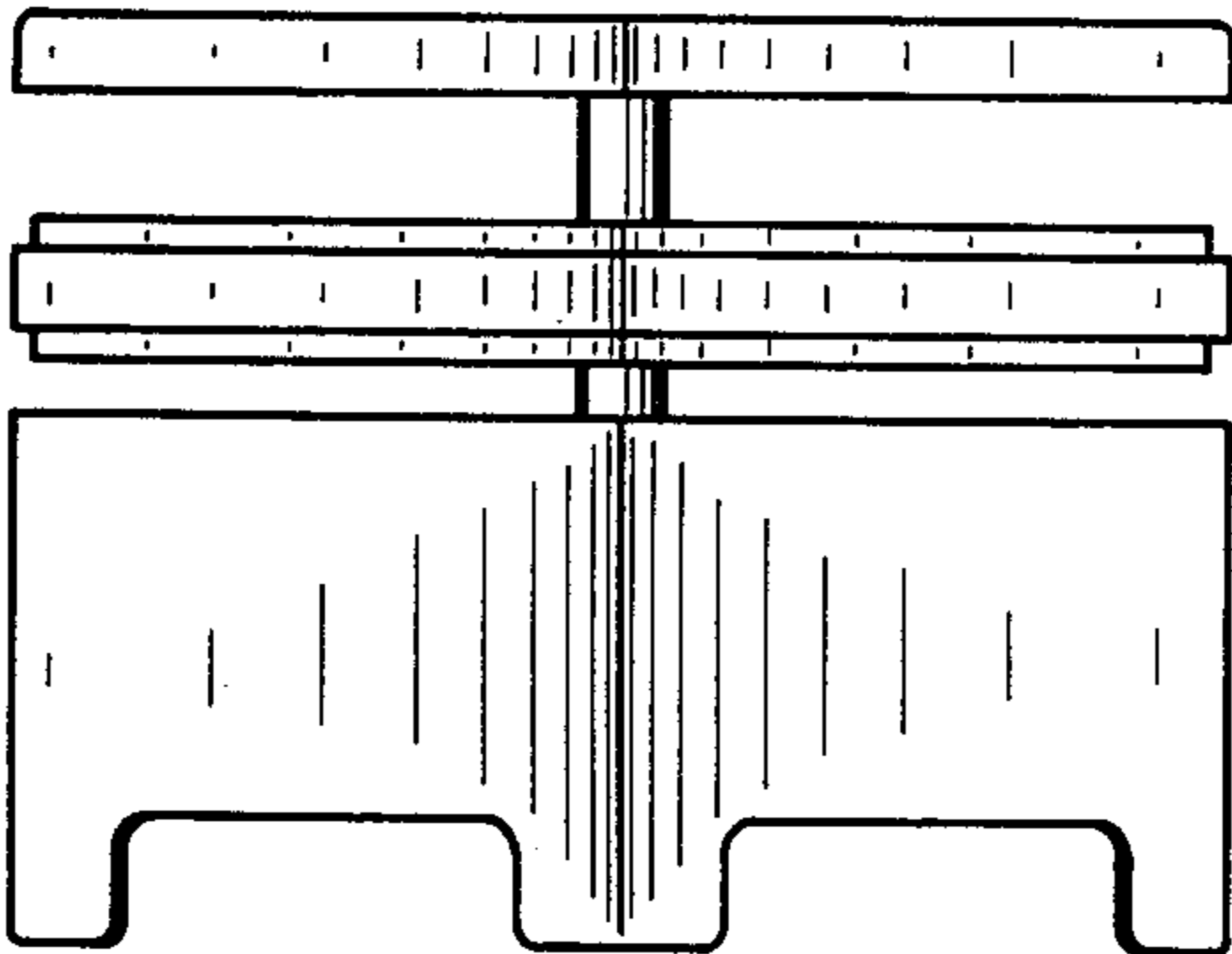


FIG. 3

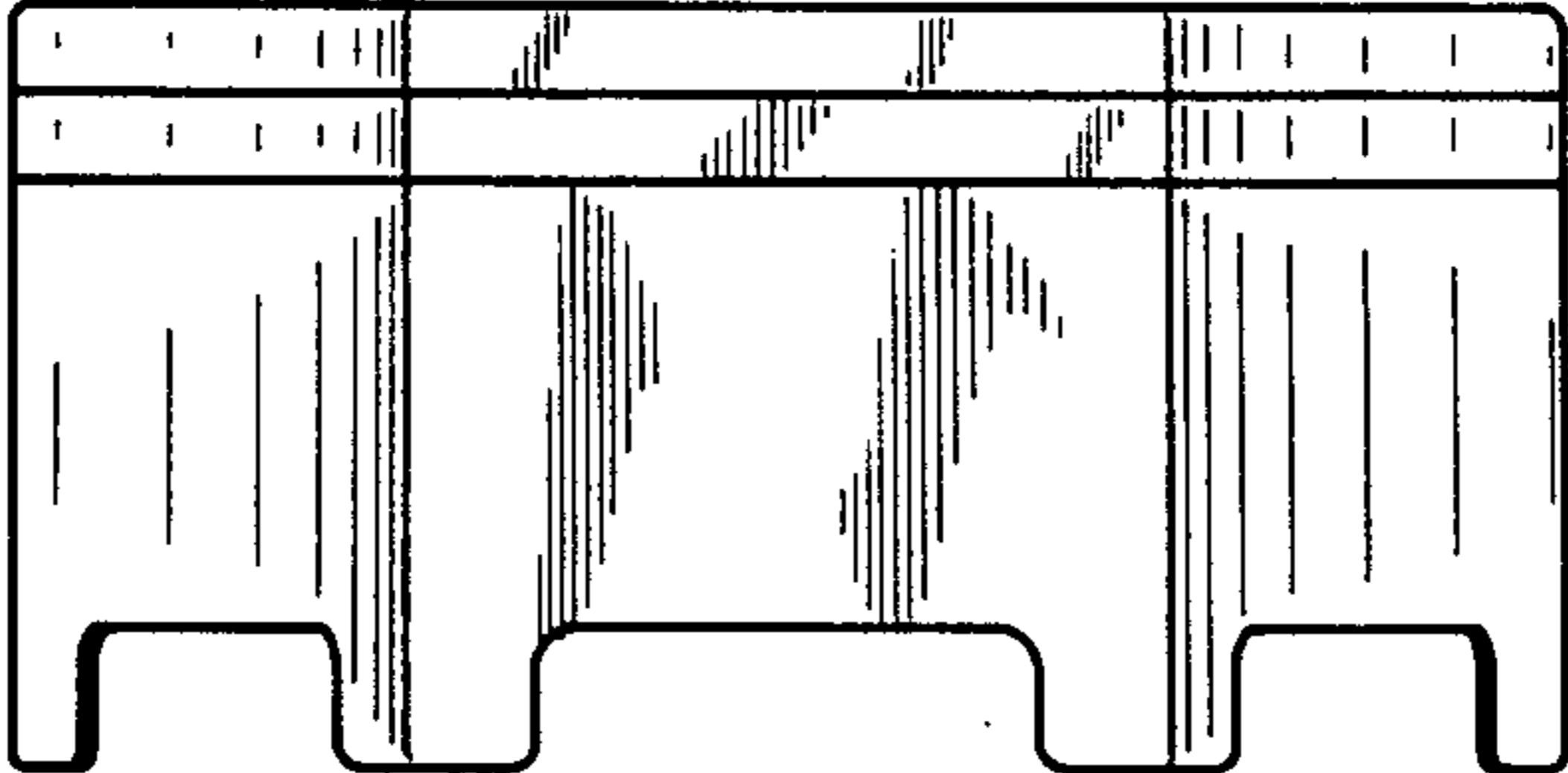


FIG. 4

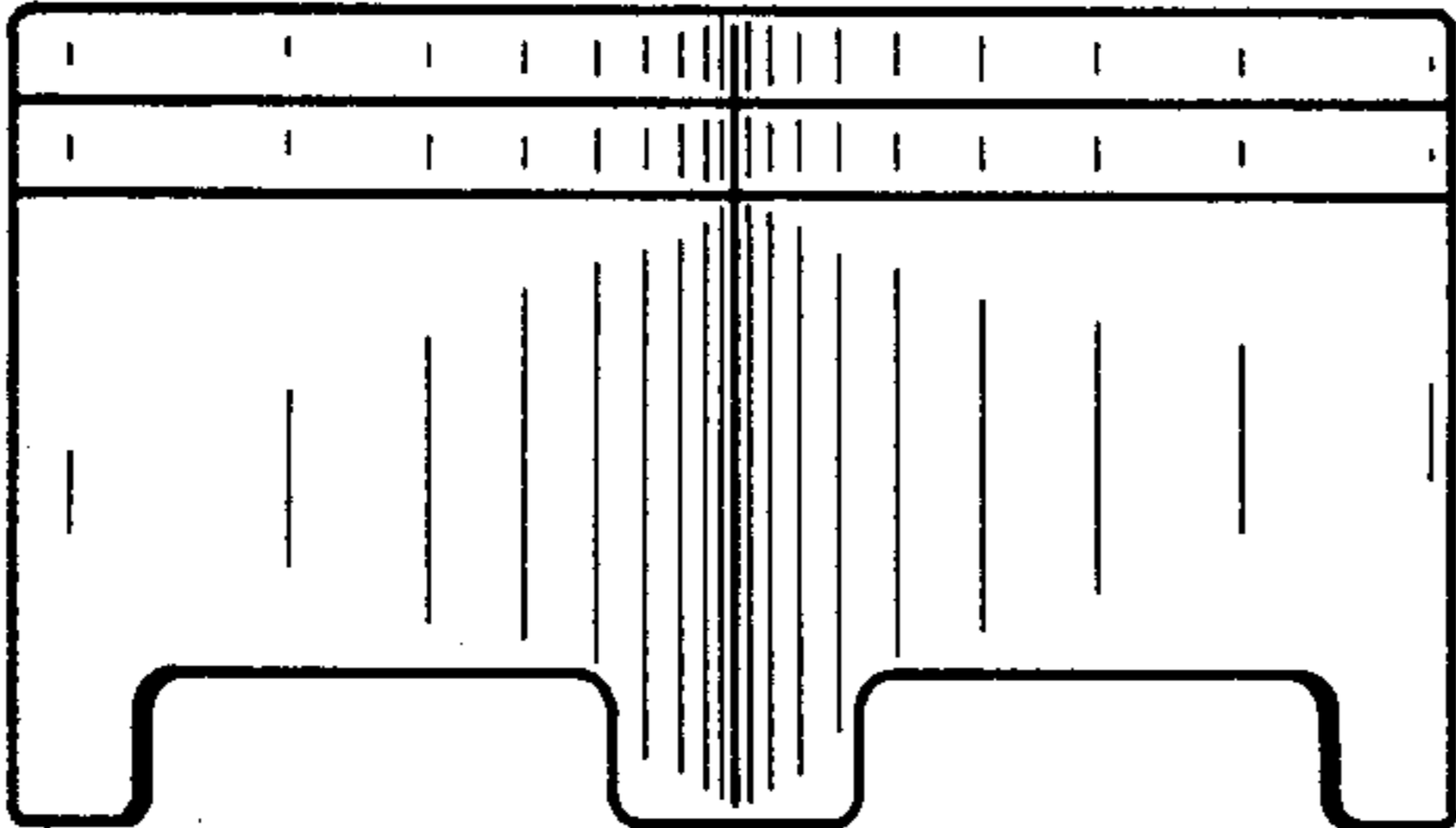


FIG. 5

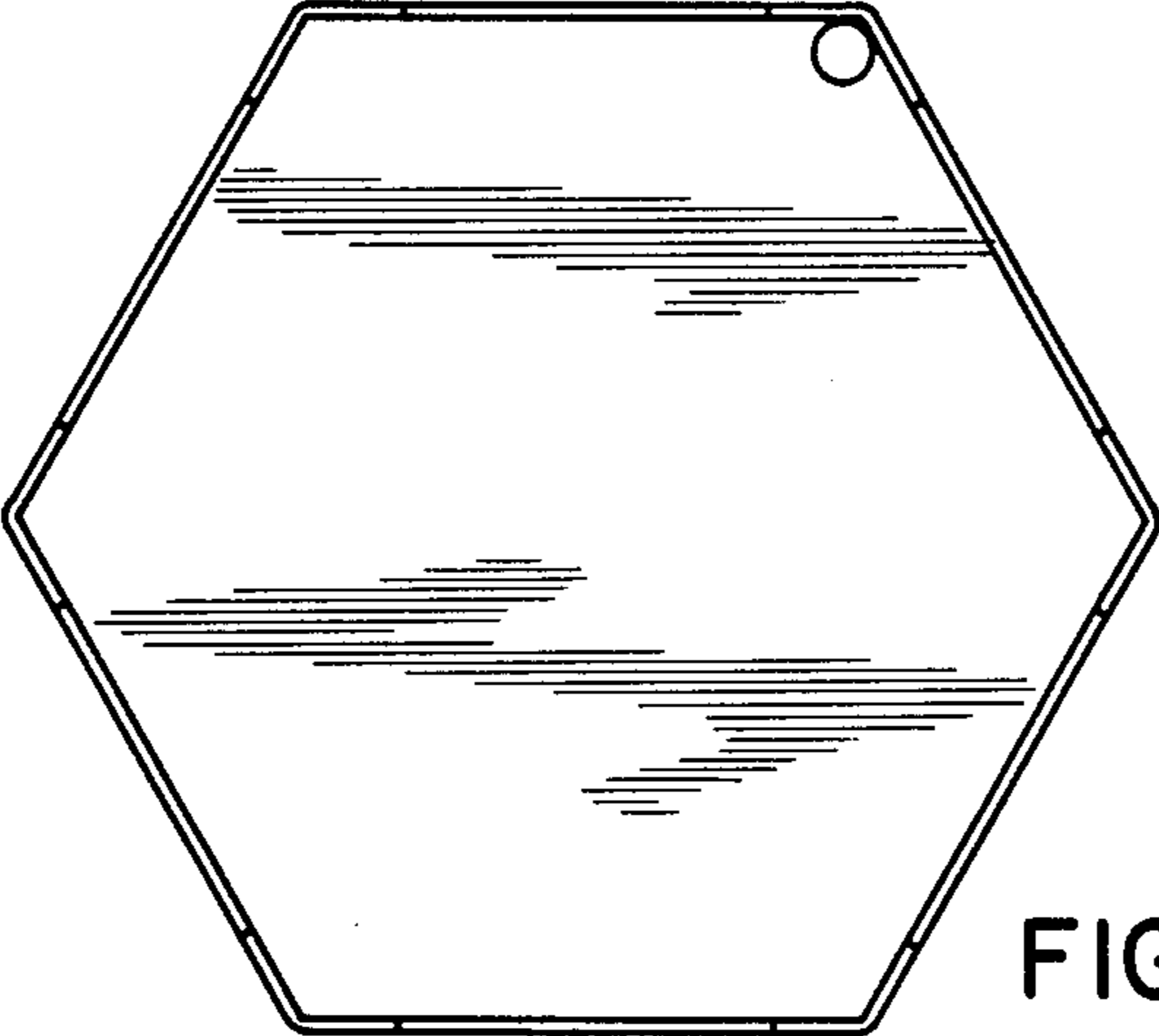


FIG. 6

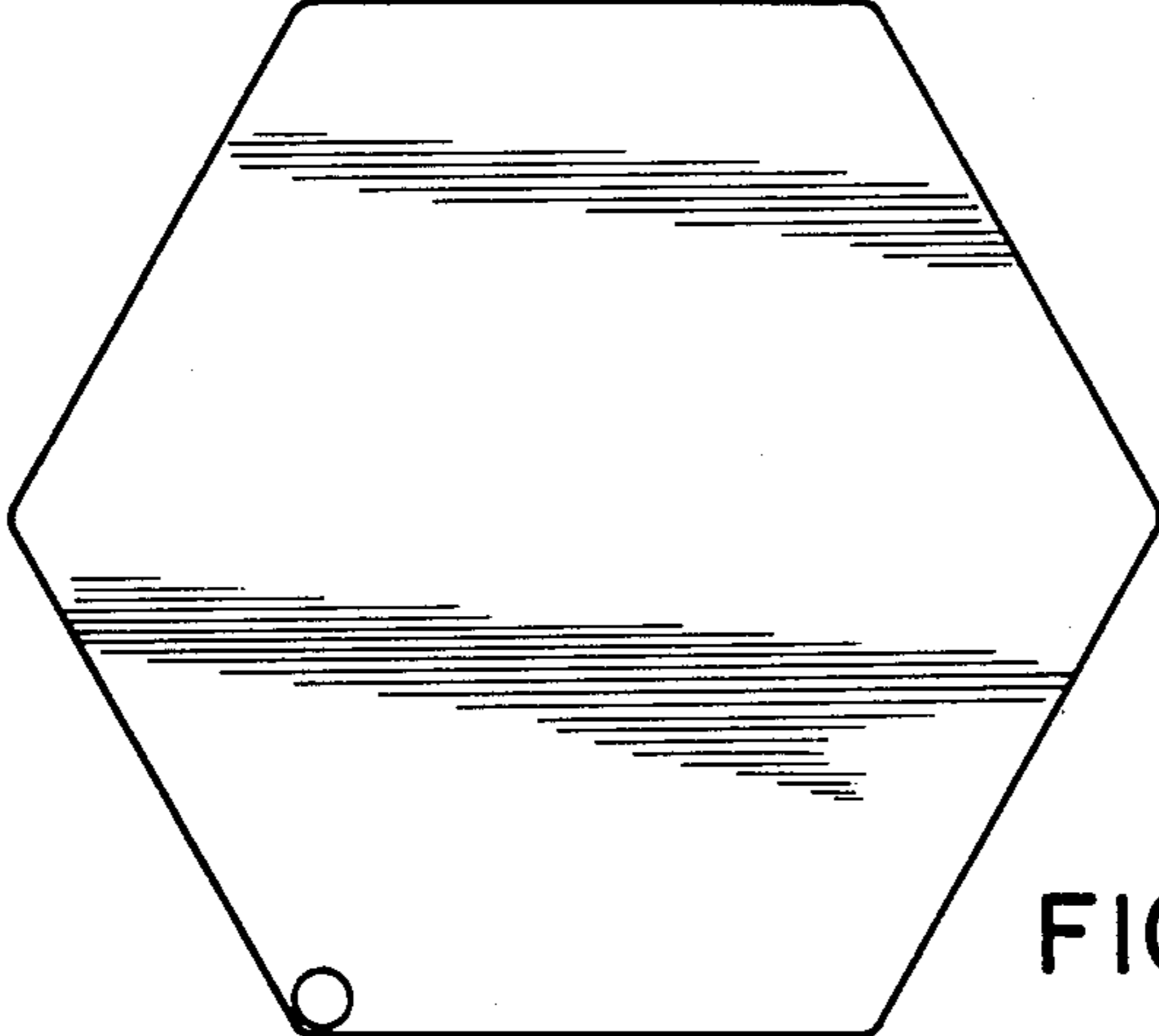


FIG. 7