

[54] VEGETABLE DRYING IMPLEMENT

[76] Inventor: John S. Doyel, 404 W. 20th St., New York, N.Y. 10011

[**] Term: 14 Years

[21] Appl. No.: 949,534

[22] Filed: Oct. 10, 1978

[51] Int. Cl. D7-04

[52] U.S. Cl. D7/47; D7/17; D7/41

[58] Field of Search D7/47, 41, 17, 76

[56] References Cited

U.S. PATENT DOCUMENTS

D. 60,746	4/1922	Ambler	D7/17
D. 78,080	3/1929	Bernardaud	D7/17
D. 107,585	12/1937	Titze	D7/17

D. 228,222	8/1973	Mantelet	D7/47
D. 241,495	9/1976	Mantelet	D7/47
3,753,297	8/1973	Mantelet	D7/47 X

FOREIGN PATENT DOCUMENTS

2187262 12/1974 France D7/47

Primary Examiner—Winifred E. Herrmann
Attorney, Agent, or Firm—Lester W. Clark

[57] CLAIM

The ornamental design for a vegetable drying implement, as shown and described.

DESCRIPTION

FIG. 1 is a top plan view of a vegetable drying implement showing my new design.

FIG. 2 is a side elevational view thereof.

FIG. 3 is a front elevational view thereof.

FIG. 4 is a bottom plan view thereof.

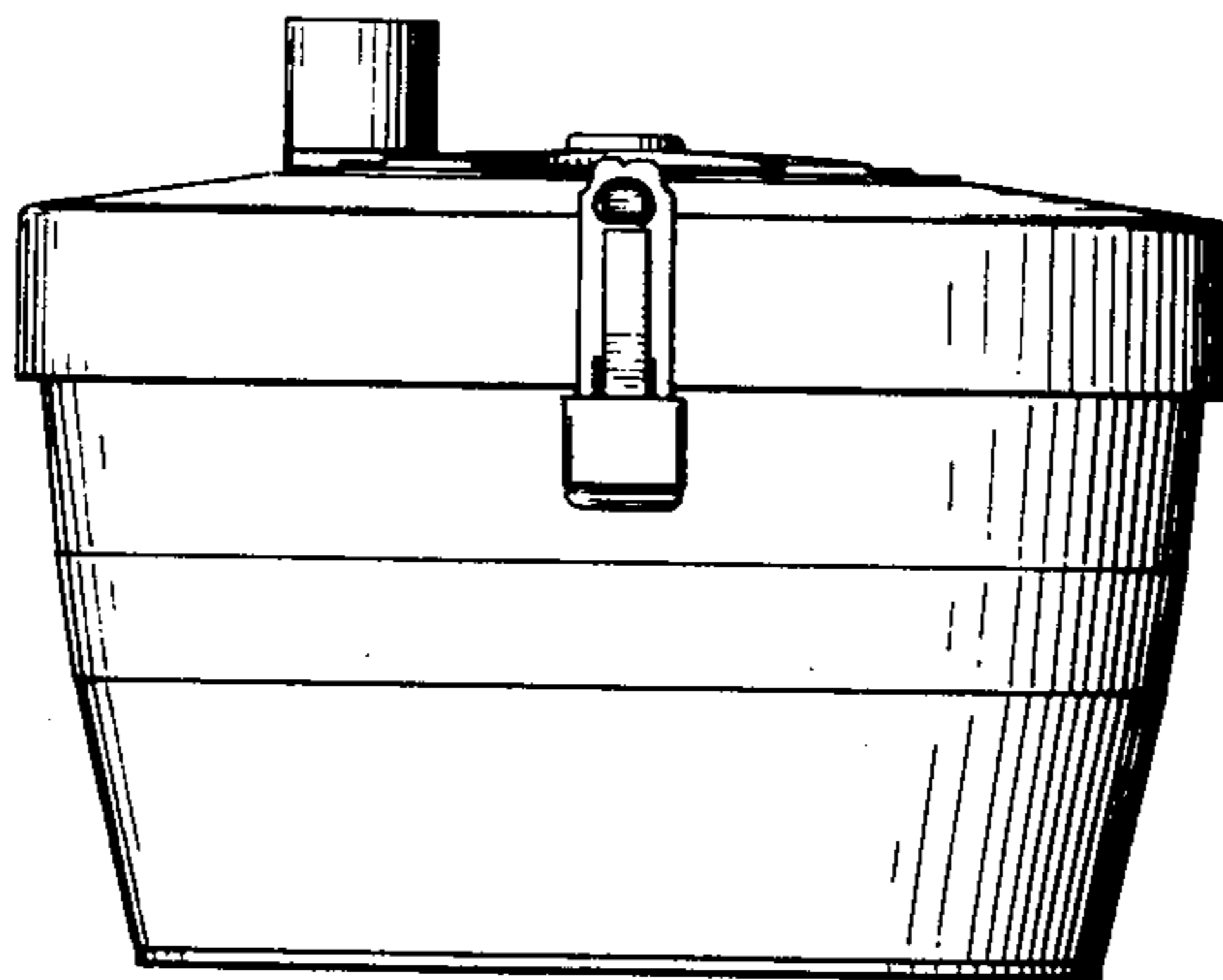
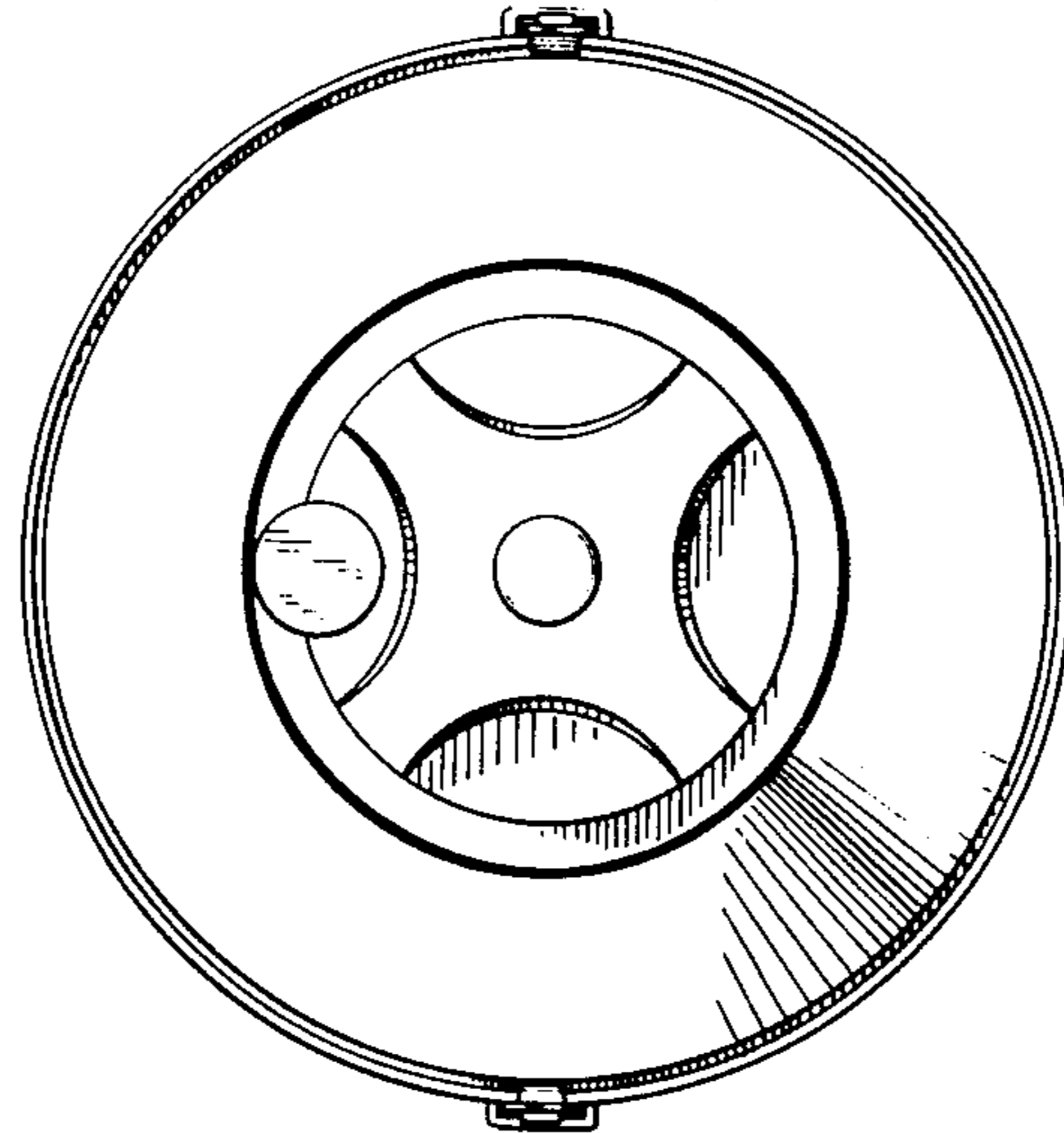


Fig. 1.

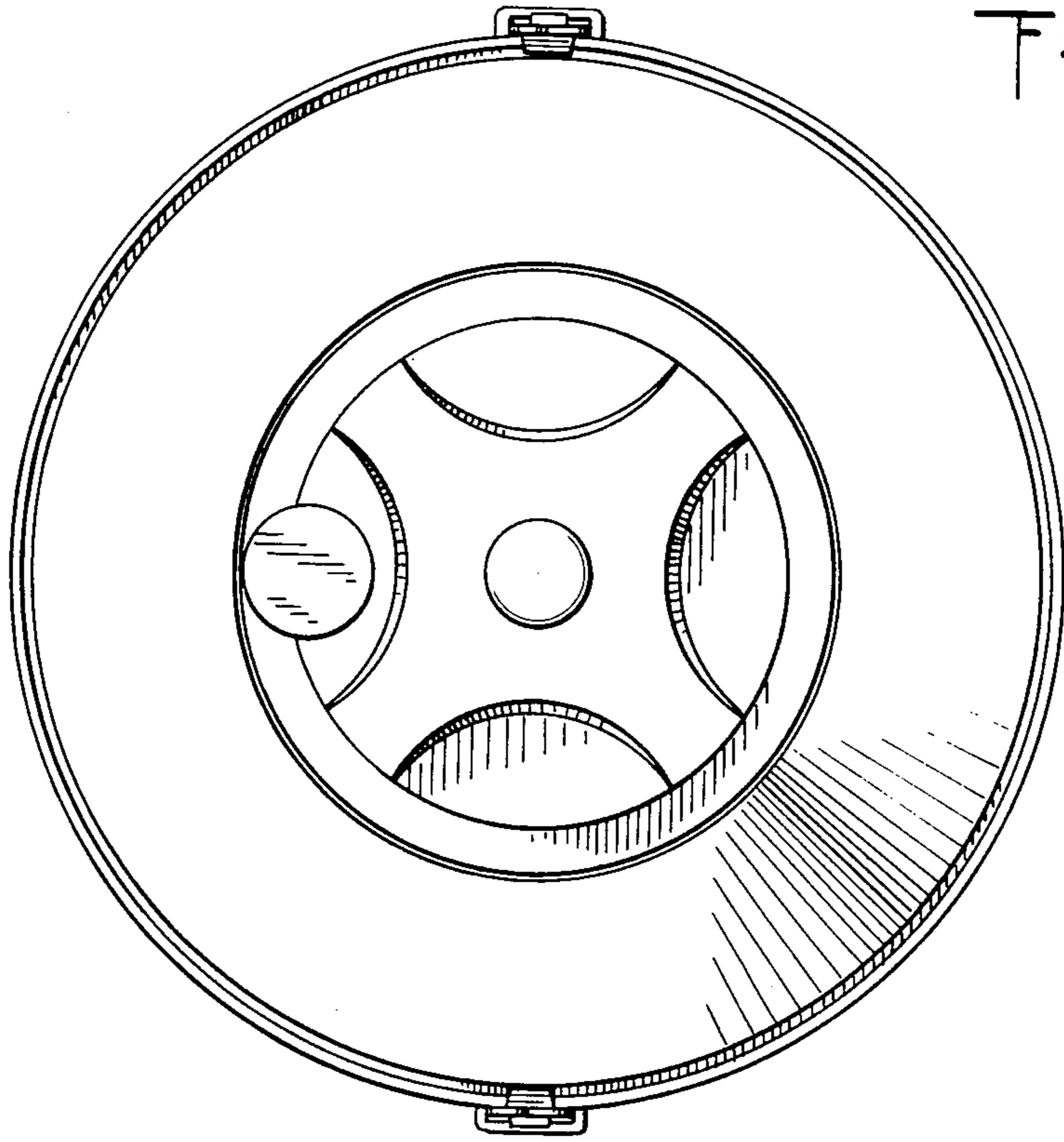


Fig. 2.

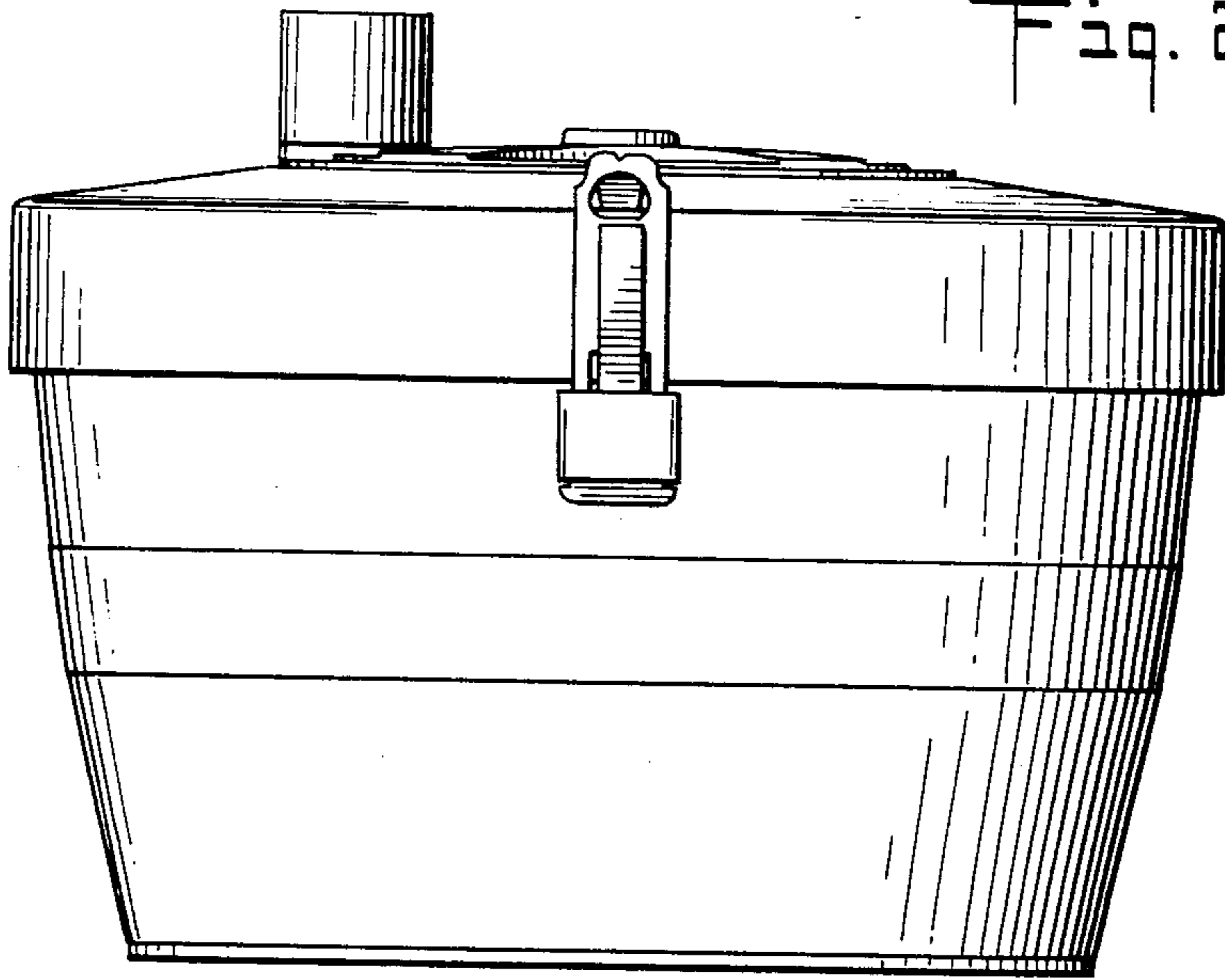


Fig. 3.

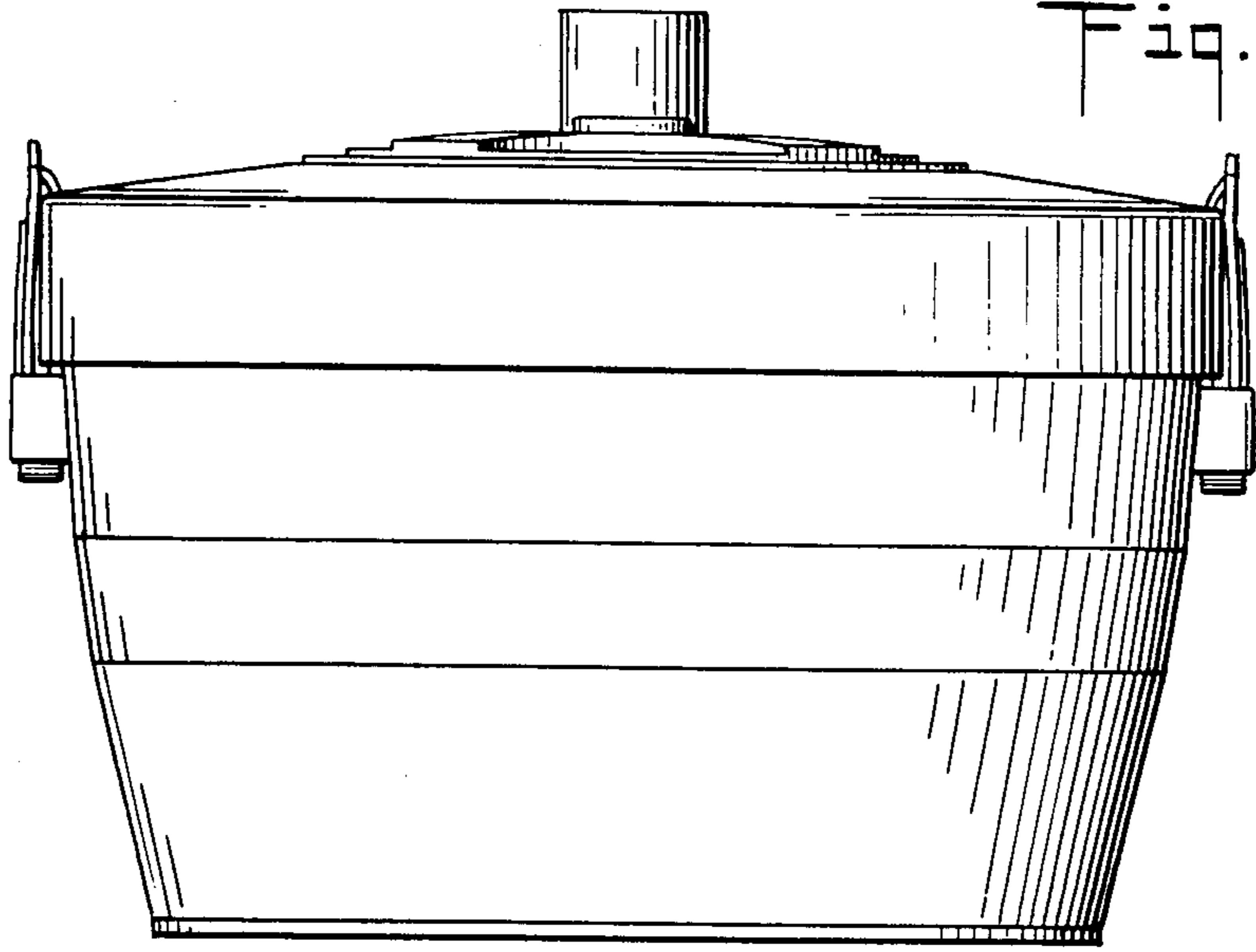


Fig. 4.

