

[54] DESK OR SIMILAR ARTICLE

[75] Inventors: Lawrence Lerner, New York, N.Y.;
Fred Schmitt, Nutley, N.J.

[73] Assignee: Litton Business Systems, Inc.

[**] Term: 14 Years

[21] Appl. No.: 50,883

[22] Filed: Jun. 21, 1979

Related U.S. Application Data

[62] Division of Ser. No. 770,328, Feb. 22, 1977.

[51] Int. Cl. D6-04

[52] U.S. Cl. D6/161

[58] Field of Search D6/147-174,
D6/181, 186

[56] References Cited

U.S. PATENT DOCUMENTS

D. 223,371	4/1972	Allen	D6/161
D. 240,581	7/1976	Ostborg et al.	D6/161
D. 241,212	8/1976	Hodges et al.	D6/161

Primary Examiner—Bruce W. Dunkins
Attorney, Agent, or Firm—Norman Friedman

[57] CLAIM

The ornamental design for a desk or similar article, as shown and described.

DESCRIPTION

FIG. 1 is a front perspective view of a desk or similar article showing my design;
FIG. 2 is a rear perspective view of a modified form thereof;
FIG. 3 is a bottom plan view of the desk shown in FIG. 1; and
FIG. 4 is a bottom plan view of the desk shown in FIG. 2.

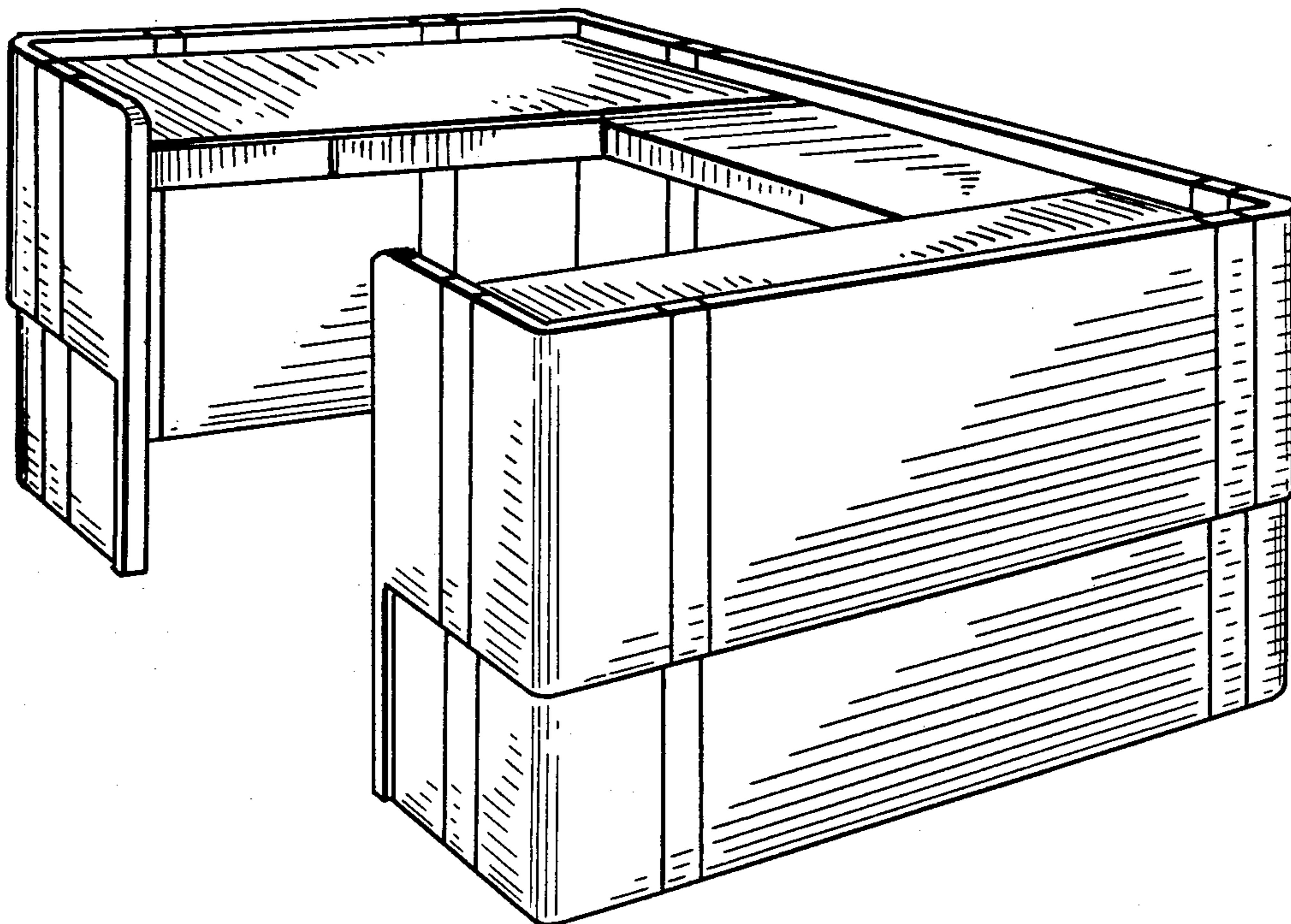


FIG. 1

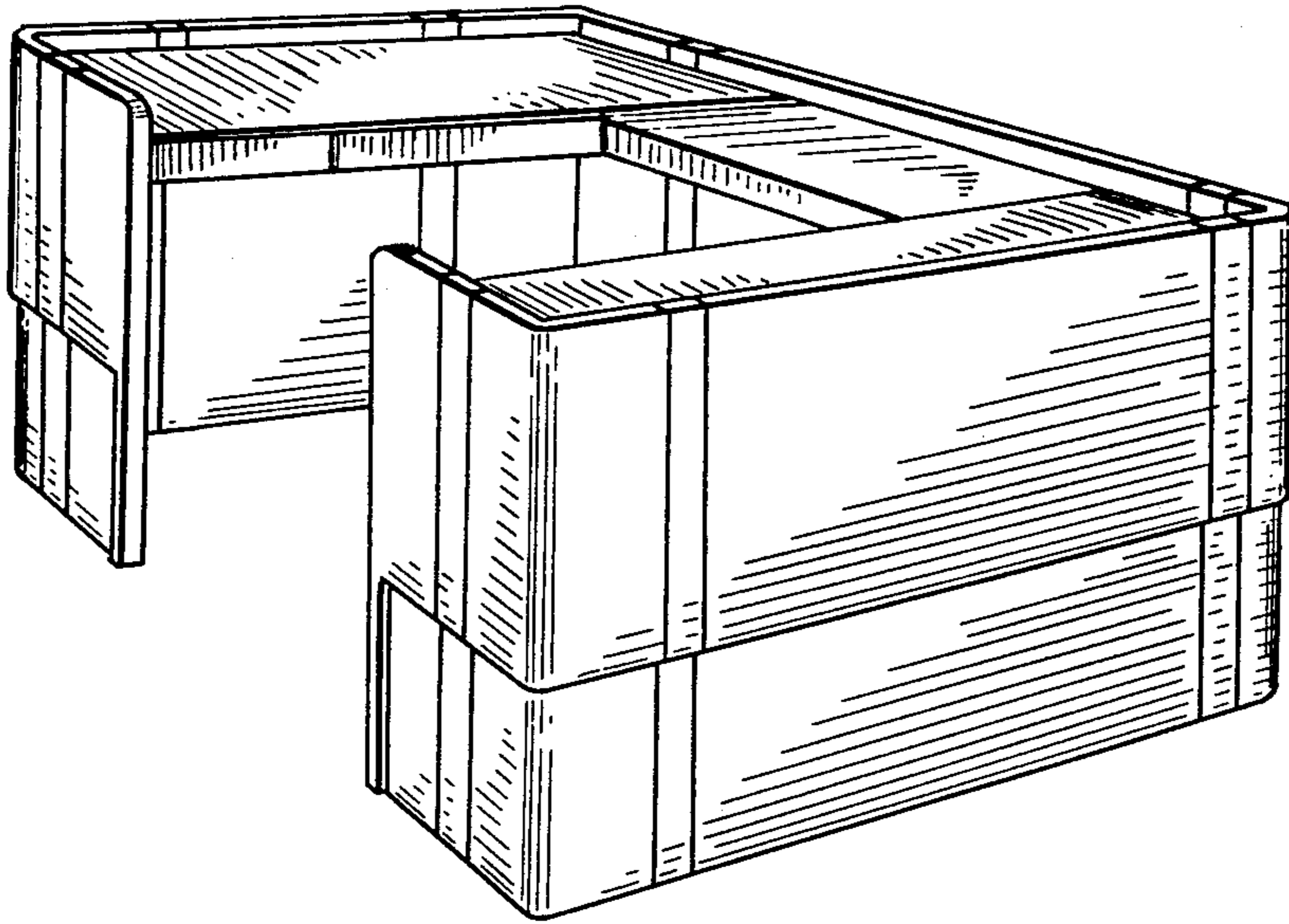


FIG. 2

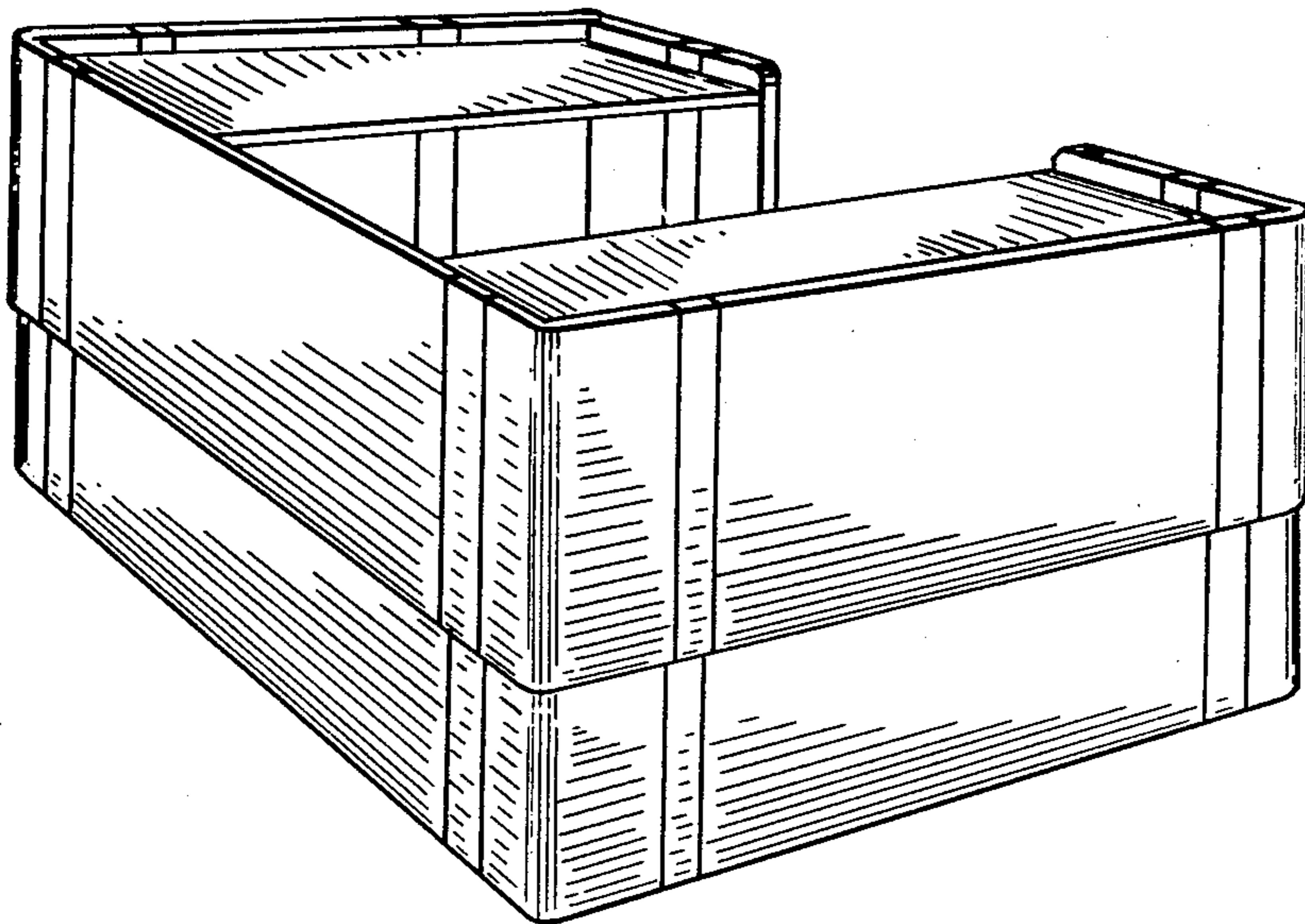


FIG. 3

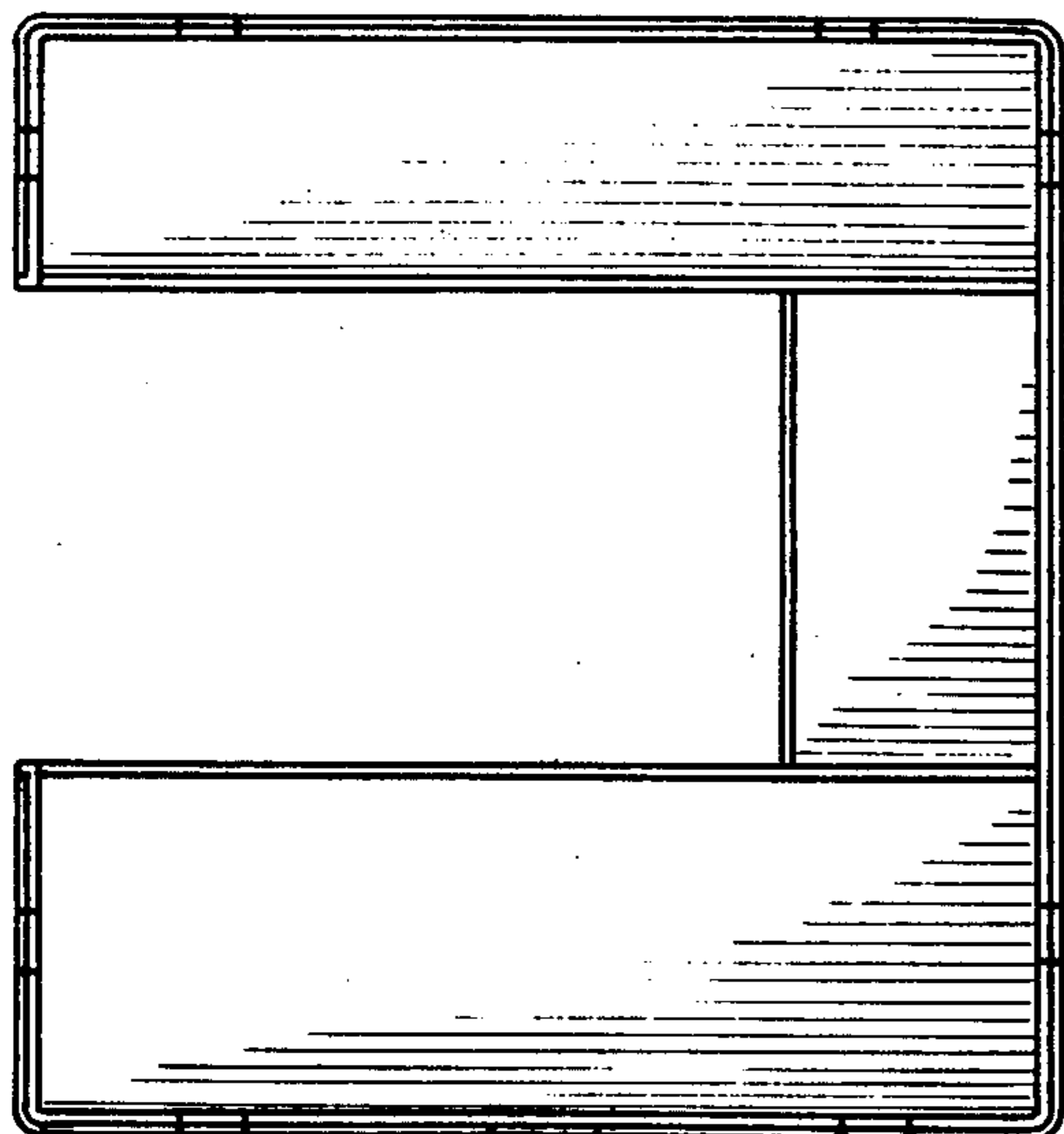


FIG. 4

