

[54] SHELVING UNIT OR THE LIKE

[56]

References Cited

U.S. PATENT DOCUMENTS

[75] Inventors: James B. Swett, Altamonte Springs, Fla.; Rino Conti, Stoughton, Mass.

D. 94,571	2/1935	Schimmelfeng	D6/134
D. 157,460	2/1950	Ziolkowski et al.	D6/134
D. 235,181	5/1975	Brown	D6/114
1,446,036	2/1923	Dodd	211/88
2,988,228	6/1961	Marchetti	211/13

[73] Assignee: Dart Industries Inc., Los Angeles, Calif.

Primary Examiner—Wallace R. Burke
Assistant Examiner—B. J. Bullock
Attorney, Agent, or Firm—Leigh B. Taylor

[**] Term: 14 Years

[57] CLAIM

[21] Appl. No.: 933,006

The ornamental design for a shelving unit or the like, substantially as shown.

[22] Filed: Aug. 11, 1978

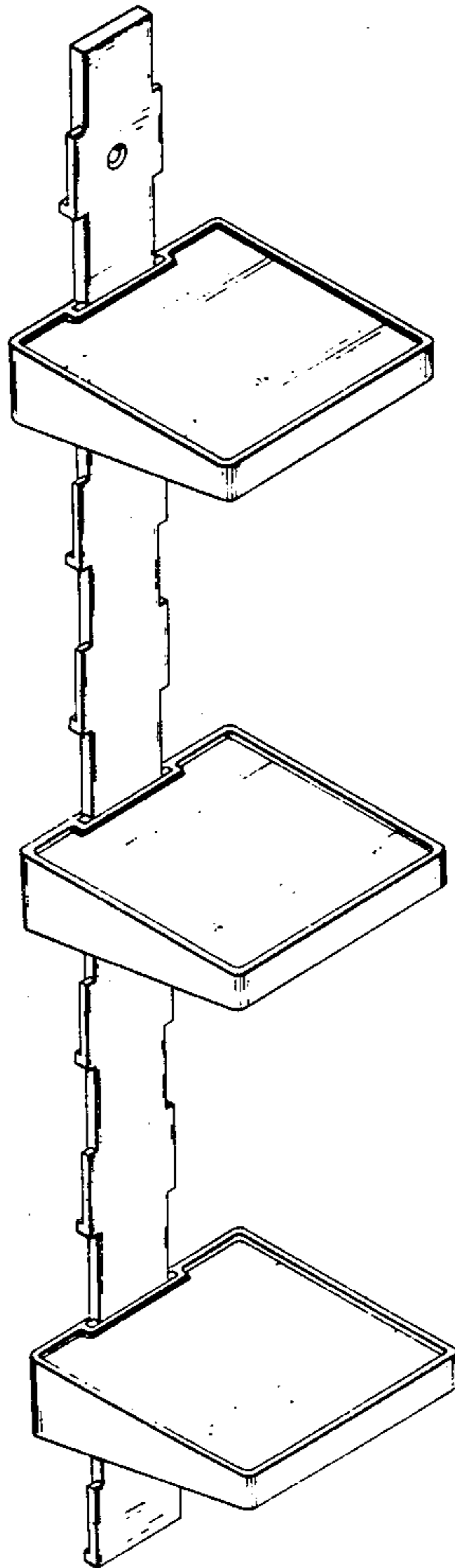
DESCRIPTION

[51] Int. Cl. D6—04

[52] U.S. Cl. D6/134; D6/114; D6/186

[58] Field of Search D6/114, 131-136, D6/181, 186; D8/381; 211/13, 87, 88, 90, 128, 133-135, 153, 181, 182, 189; 108/59, 152, 144, 41; 248/243, 247

FIG. 1 is a top perspective view of the shelving unit or the like embodying our ornamental design; FIG. 2 is a side view thereof; FIG. 3 is a front elevational view thereof; FIG. 4 is a rear elevational view thereof; FIG. 5 is a top plan view thereof; FIG. 6 is a bottom plan view thereof; and FIG. 7 is an enlarged fragmentary sectional view taken in the direction of the arrows on line 7—7 of FIG. 4.



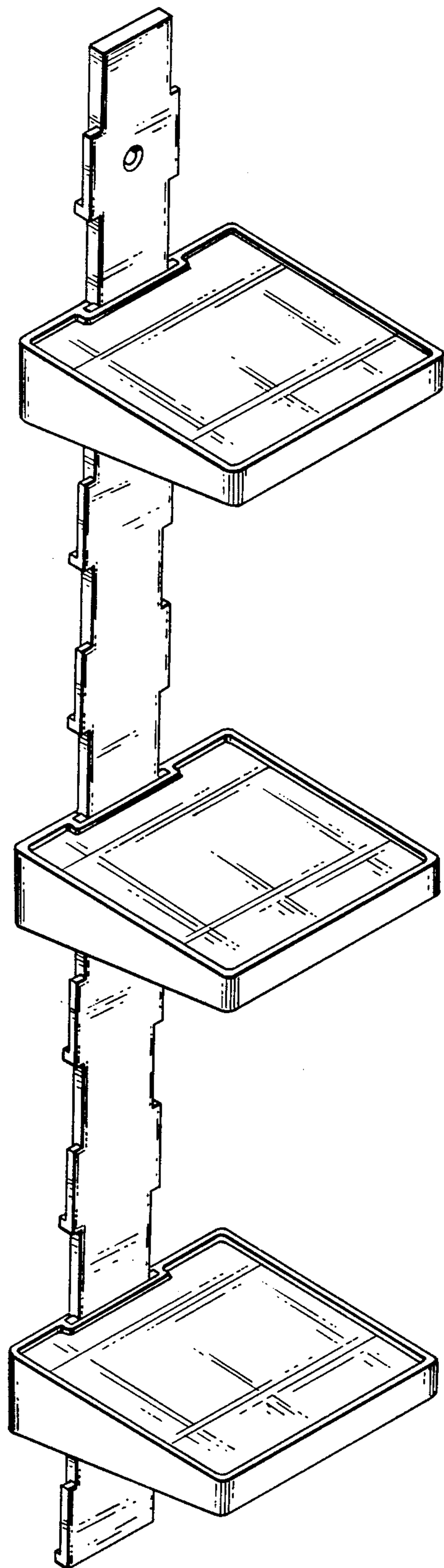


FIG. 1

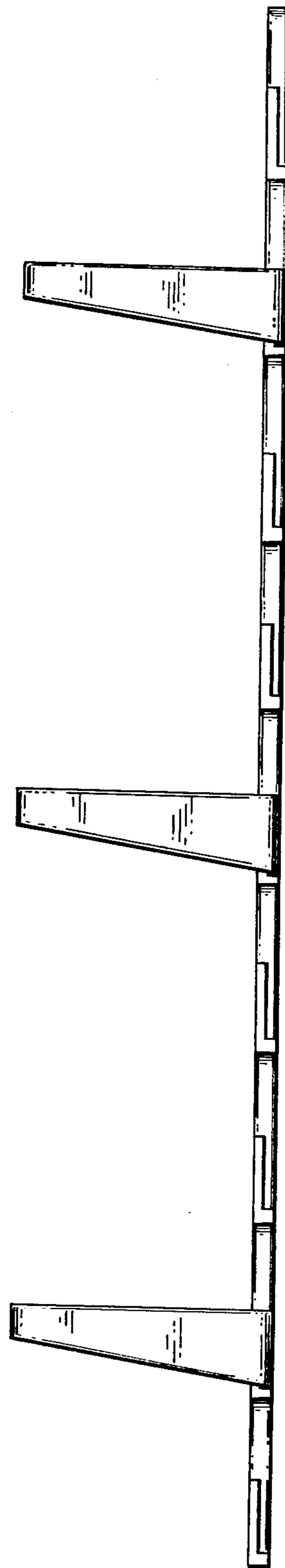


FIG. 2

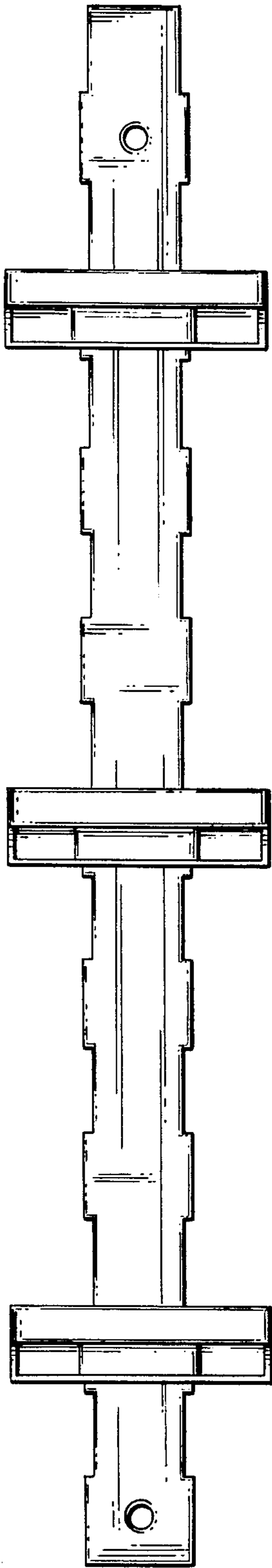


FIG. 3

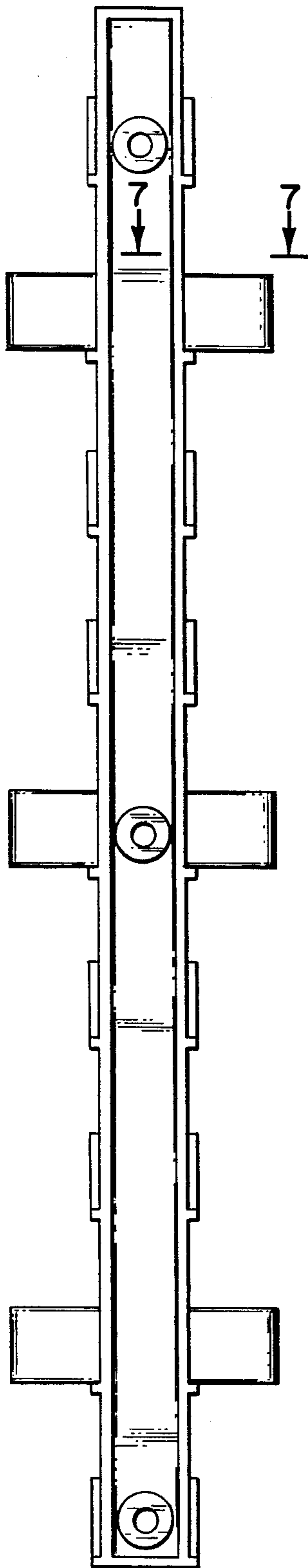


FIG. 4

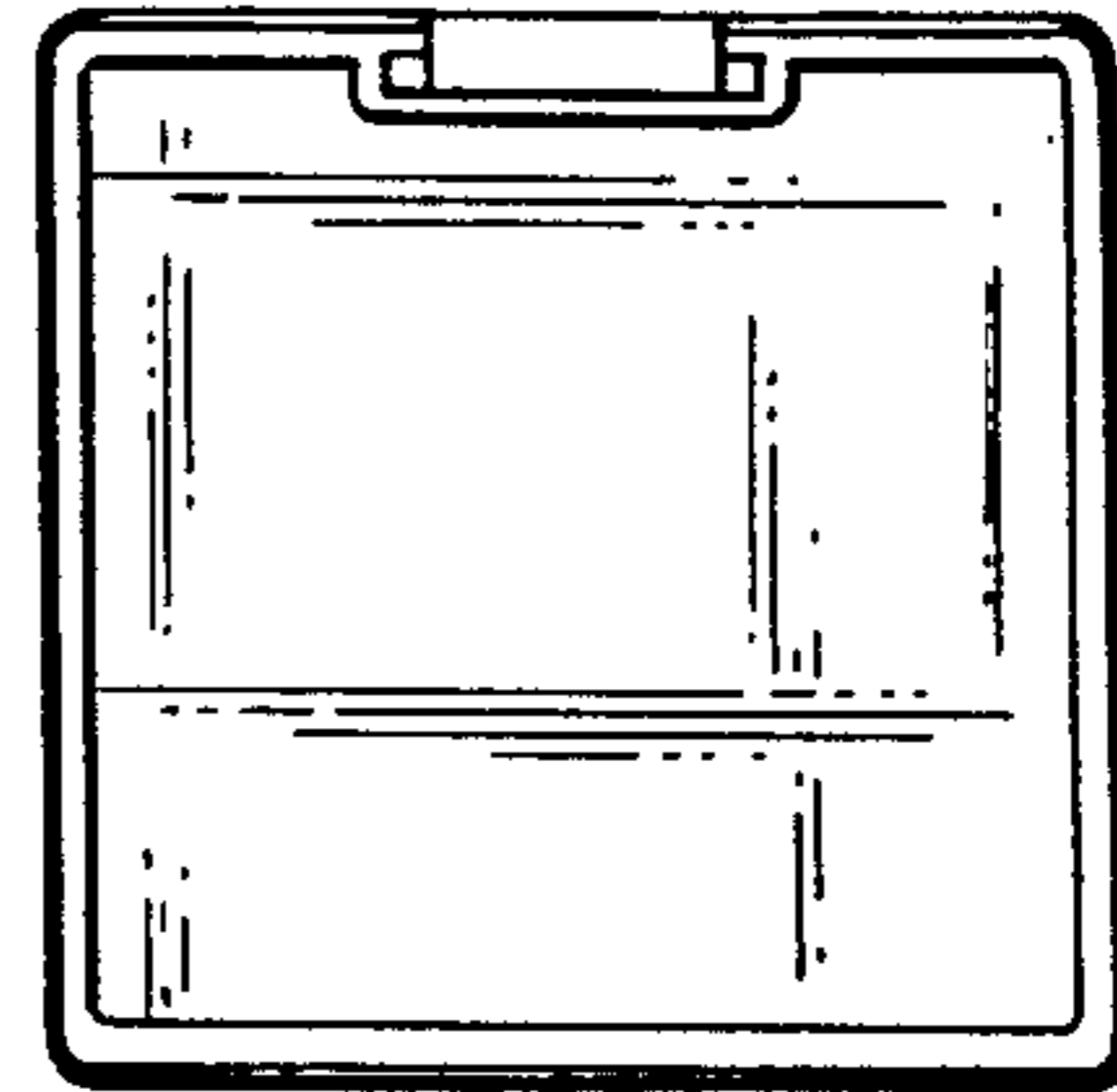


FIG. 5

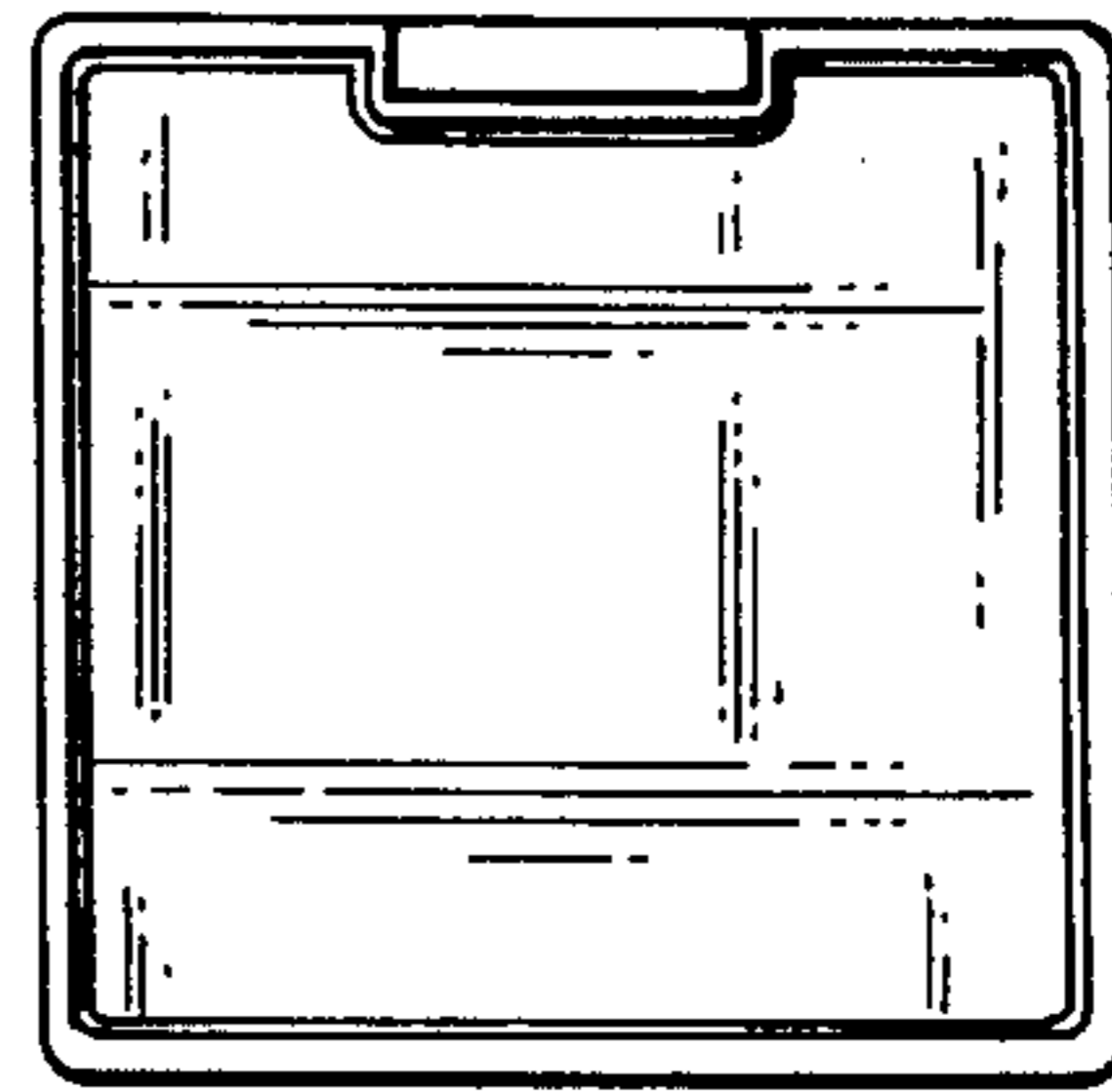


FIG. 6

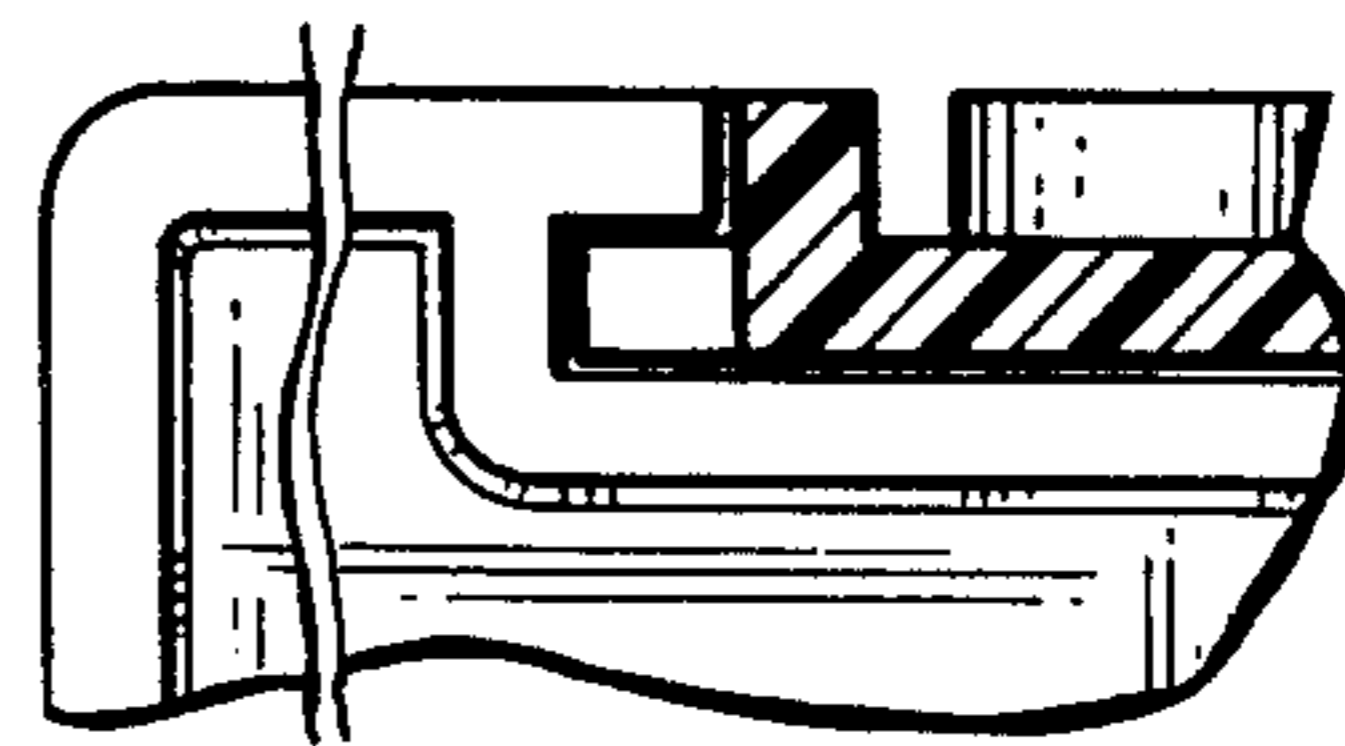


FIG. 7