

[54] **HOLDER FOR FOOD PROCESSOR ACCESSORIES**

[75] Inventor: **Fredrik G. R. von Roth, II, Peru, Vt.**

[73] Assignee: **Acrylic Designs, Inc.**

[**] Term: **14 Years**

[21] Appl. No.: **876,185**

[22] Filed: **Feb. 8, 1978**

[51] Int. Cl. **D6—04; D7—06**

[52] U.S. Cl. **D6/130; D6/157;
D6/181; D6/188; D7/74**

[58] Field of Search **D7/73, 74; D6/85, 125,
D6/157, 188, 130, 181; 206/372, 373;
D3/67-69**

[56] **References Cited**

U.S. PATENT DOCUMENTS

D. 135,982 7/1943 Morris D6/181
D. 245,041 7/1977 Covell D3/36
D. 250,241 11/1978 Braginetz D6/181

Primary Examiner—Donald B. Moyer
Attorney, Agent, or Firm—Samuel B. Smith, Jr.

[57] **CLAIM**

The ornamental design for a holder for food processor accessories, substantially as shown and described.

DESCRIPTION

FIG. 1 is a perspective view of the front, top and right side of a holder for food processor accessories showing my new design;

FIG. 2 is a rear elevational view;

FIG. 3 is a top plan view;

FIG. 4 is a right side elevational view; and

FIG. 5 is a left side elevational view thereof.

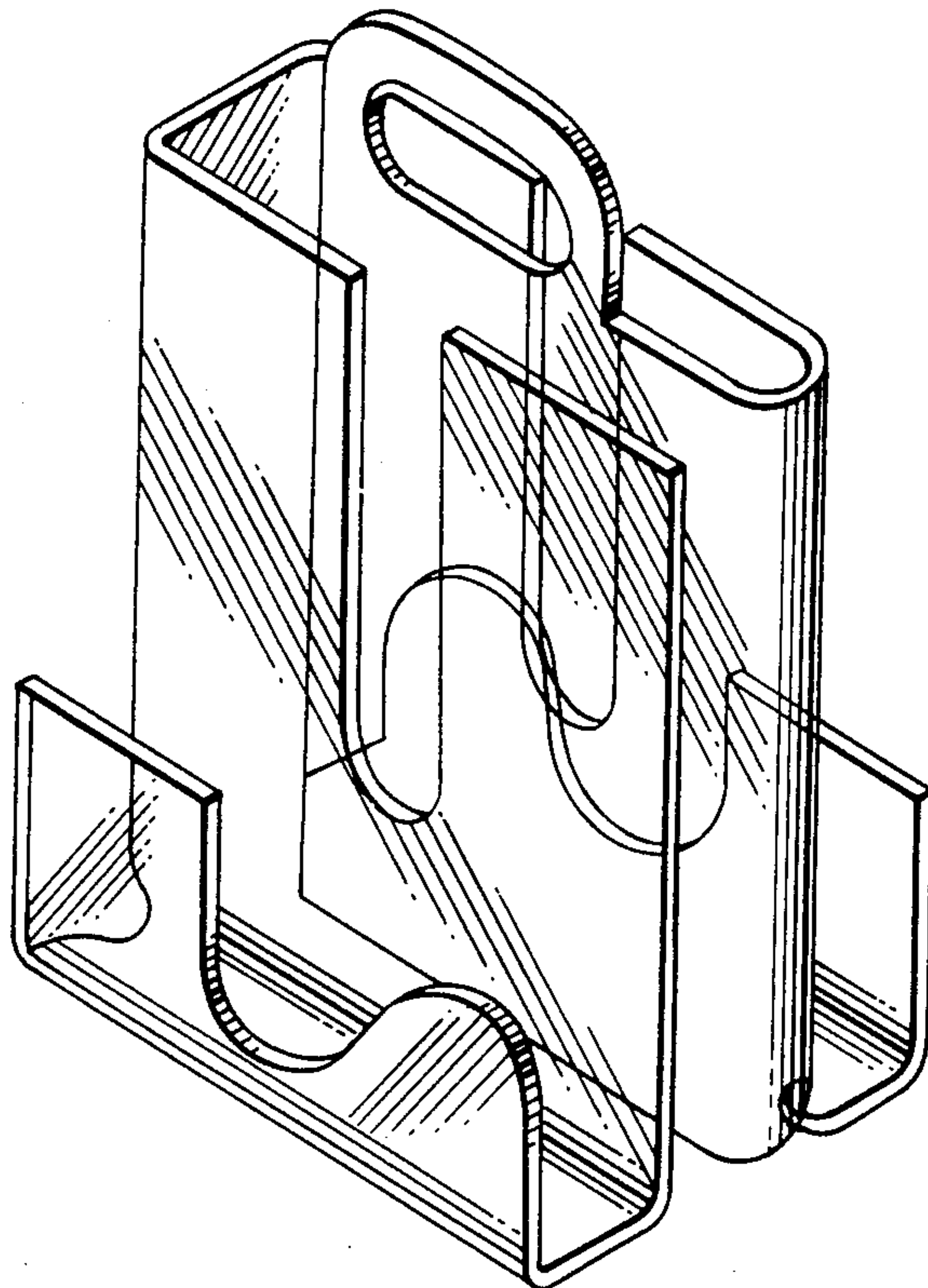


FIG. 1.

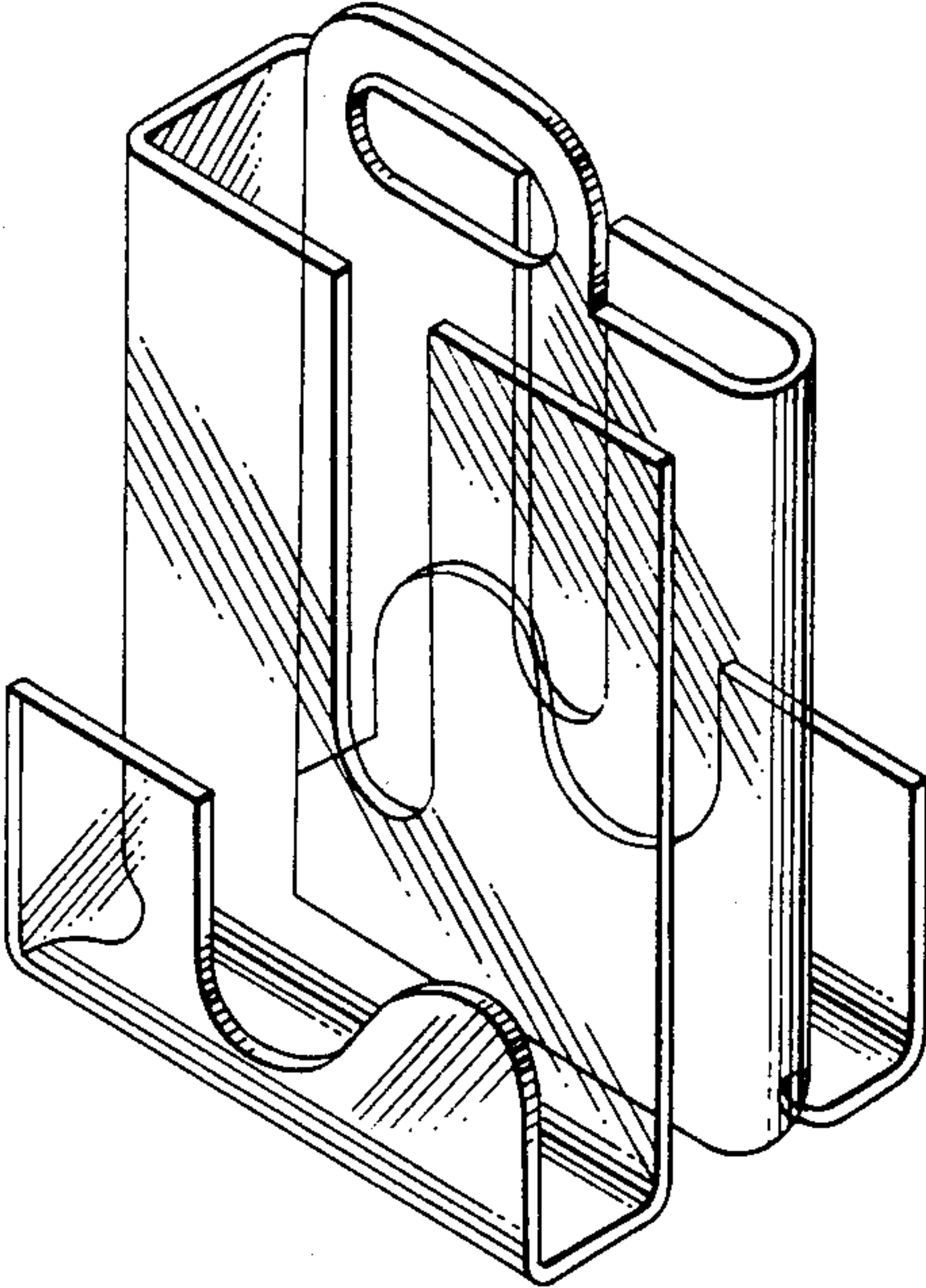


FIG. 2.

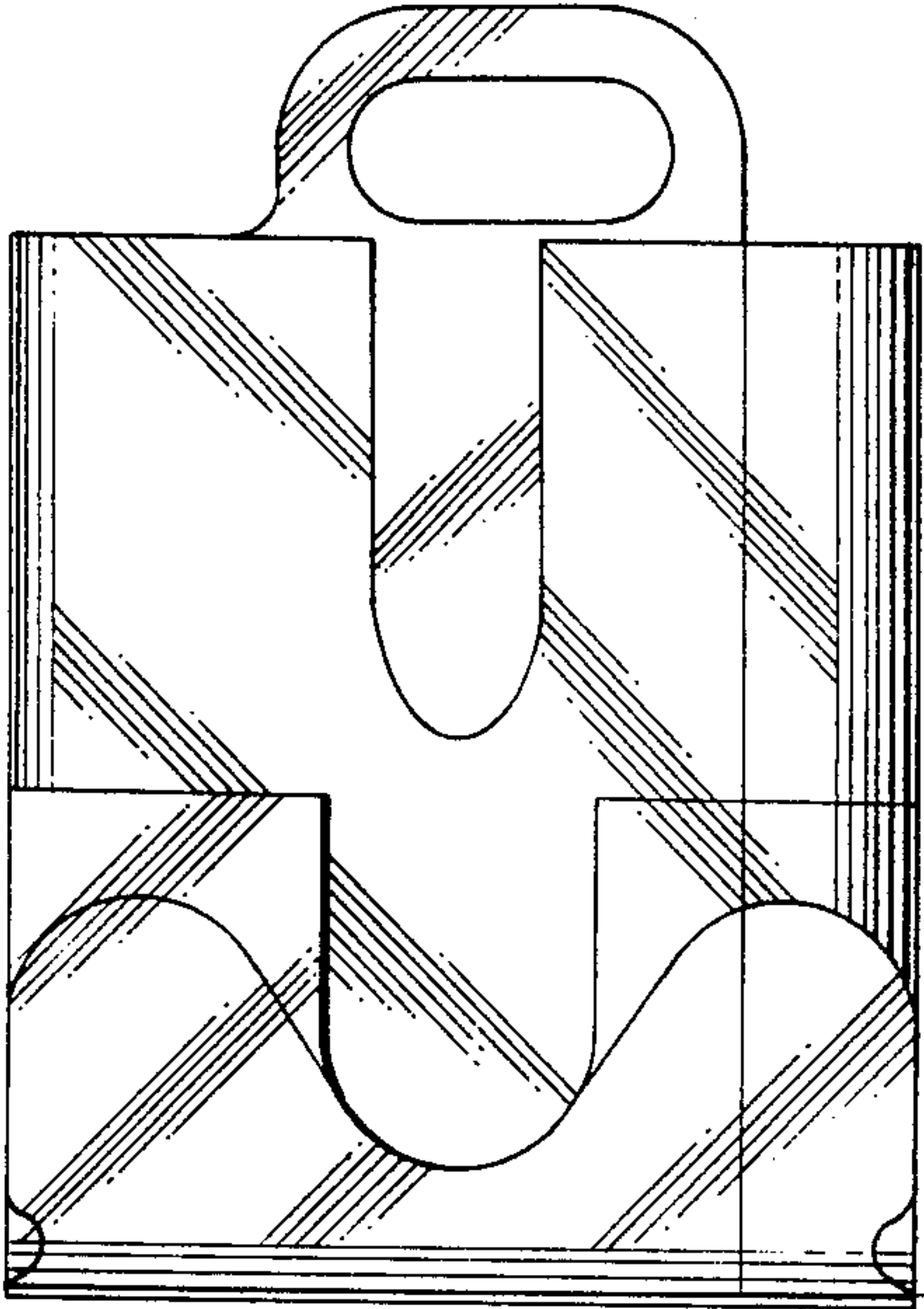


FIG. 3.

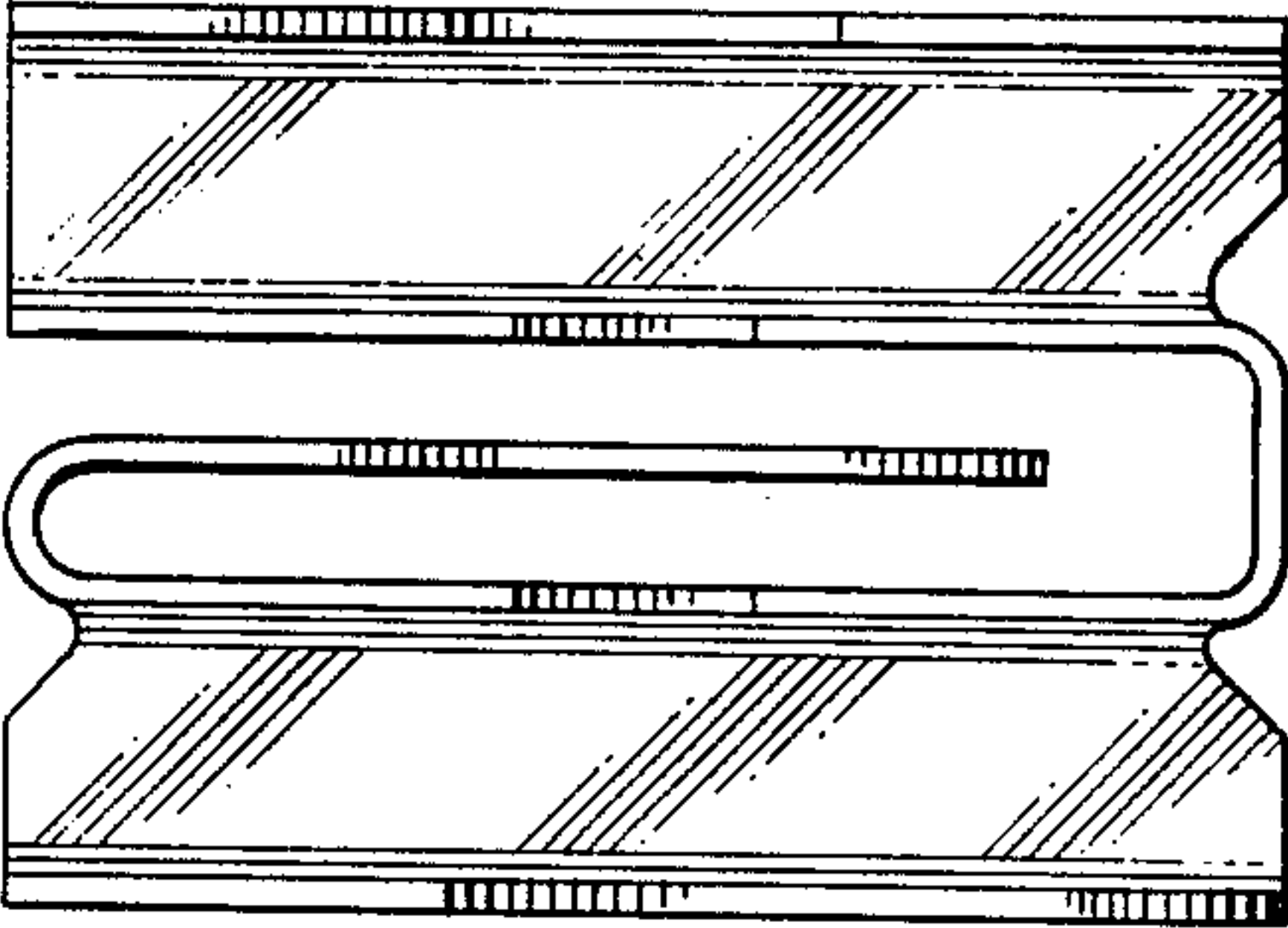


FIG. 4.

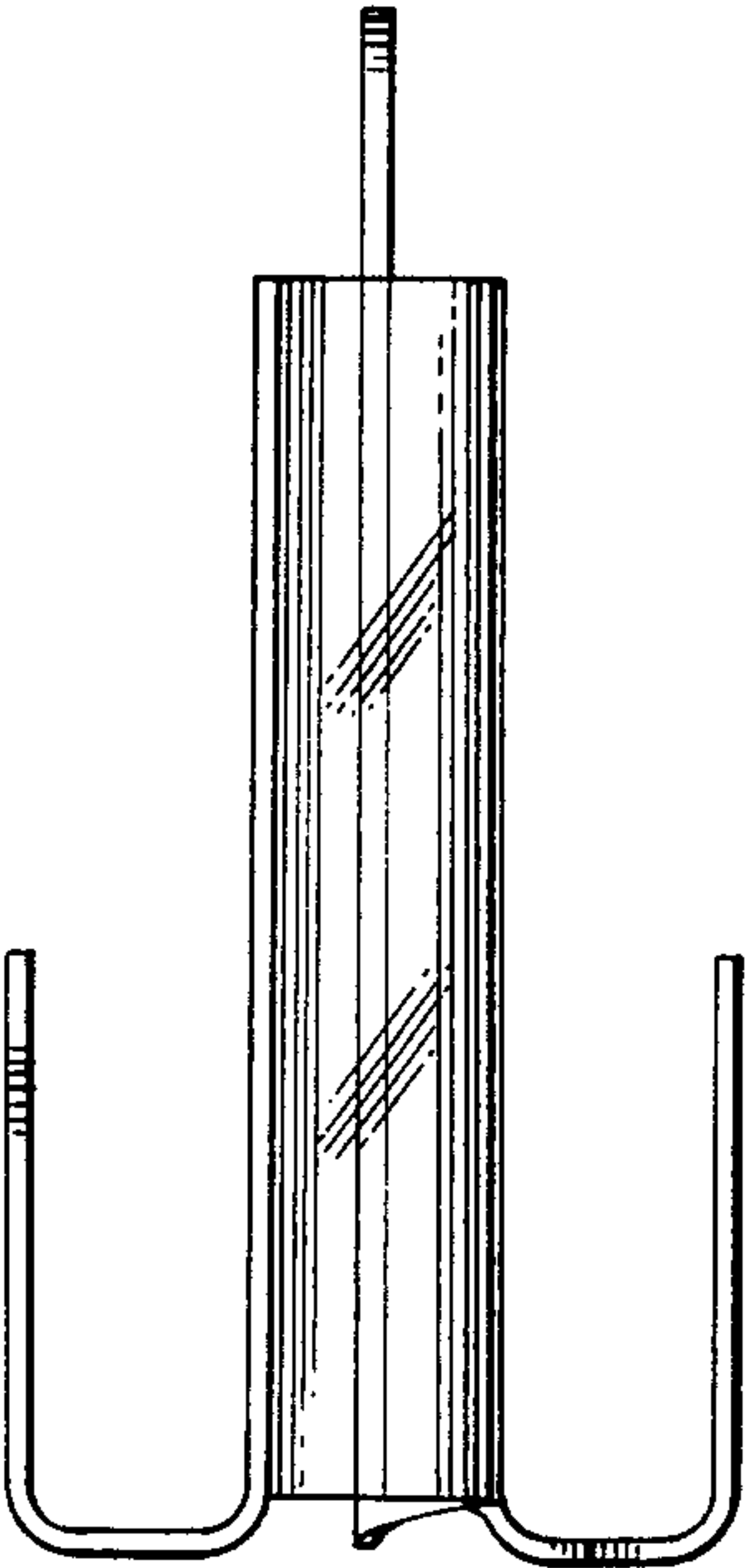


FIG. 5.

