

[54] MOLDED PLASTIC CONTAINER

[75] Inventor: Donald G. Wilcox, P.O. Box 4030
Lunar Dr., Woodbridge, Conn.
06525

[73] Assignees: Donald G. Wilcox, Seymour, Conn.;
Show-Pak Inc., Woodbridge, Conn.

[**] Term: 14 Years

[21] Appl. No.: 969,954

[22] Filed: Dec. 15, 1978

[51] Int. Cl. D3-01

[52] U.S. Cl. D3/73; D3/76

[58] Field of Search D3/30, 38, 39, 73, 76,
D3/99; D9/249; 229/52 B, 29 M, DIG. 13;
190/41 R

[56] References Cited

U.S. PATENT DOCUMENTS

D. 194,339	1/1963	Harty, Jr. et al.	D3/73
D. 196,955	11/1963	Parsell	D3/76
D. 218,266	8/1970	Belokin, Jr.	D3/38
D. 218,267	8/1970	Belokin, Jr.	D3/73
2,901,159	8/1959	Talbot, Jr.	229/52 B

Primary Examiner—Donald B. Moyer
Attorney, Agent, or Firm—John A. Mitchell

[57] CLAIM

The ornamental design for a molded plastic container, substantially as shown and described.

DESCRIPTION

FIG. 1 is a perspective view of a molded plastic container showing my new design, the opposite sides not seen being mirror images of those shown; and FIG. 2 is a bottom rear perspective view thereof.

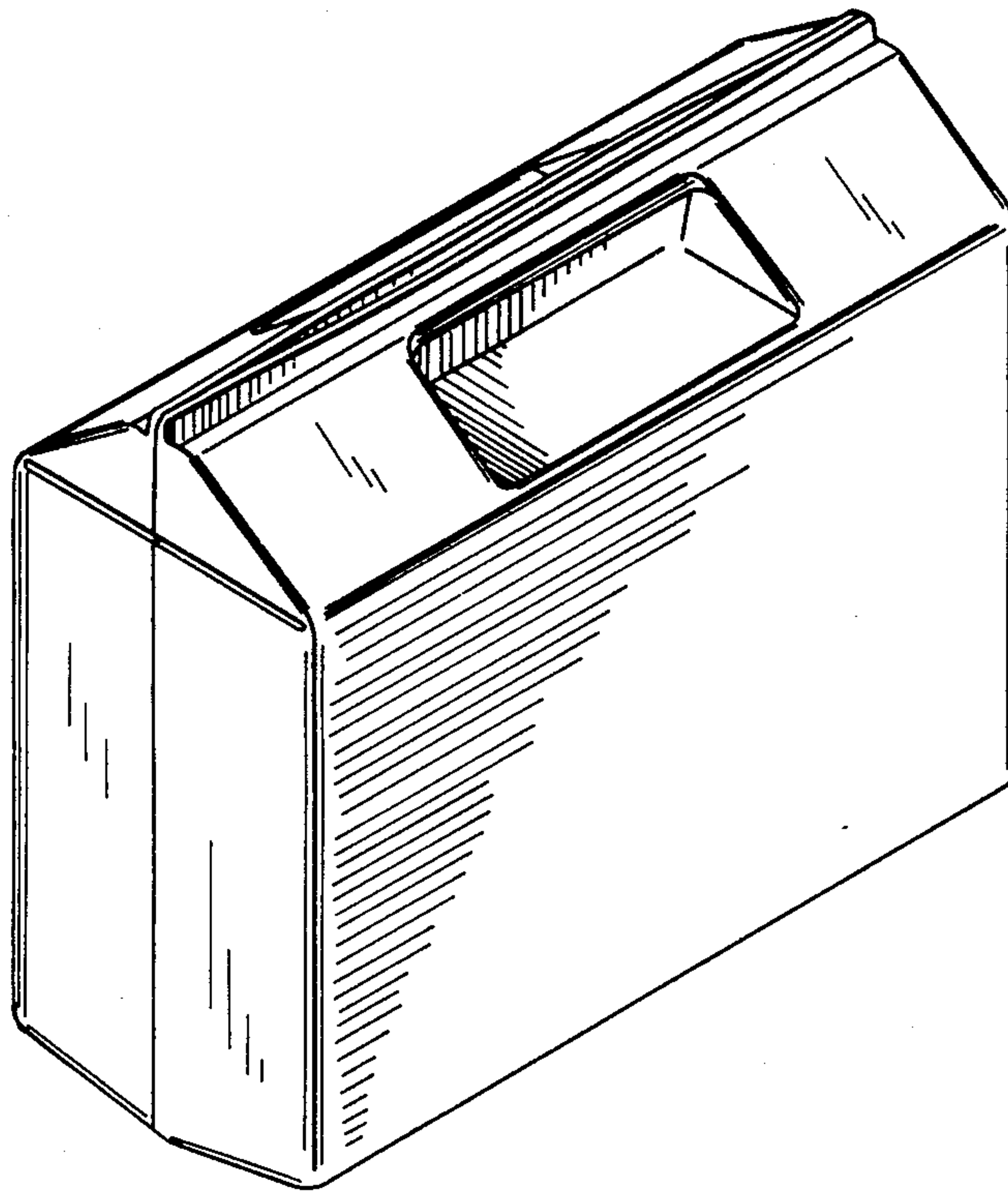


FIG. 1

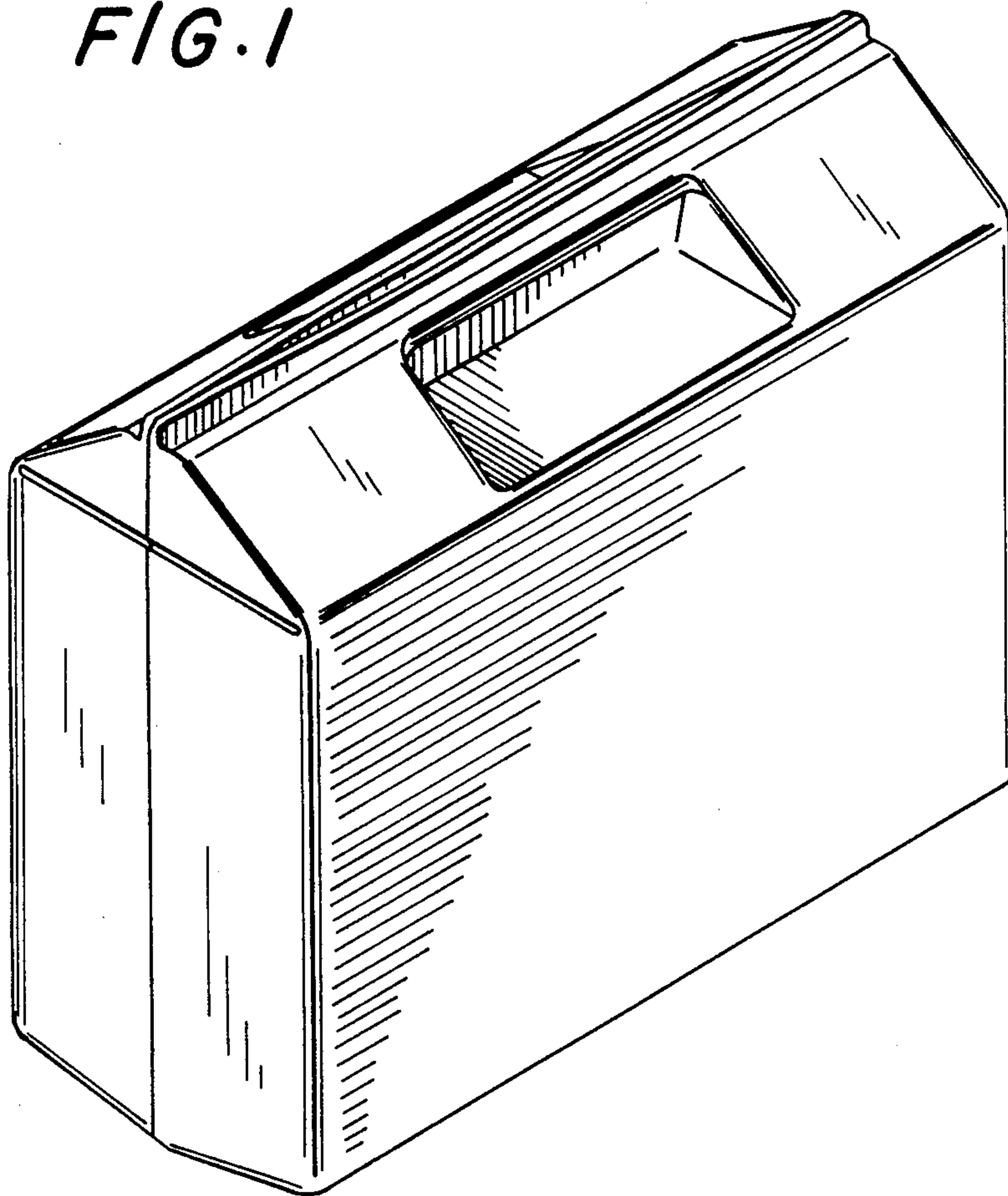


FIG. 2

