

[54] FOOTBALL CAP

[75] Inventor: Engelbert J. Peham, St. Paul, Minn.

[73] Assignee: Peham Plastics, Inc., St. Paul, Minn.

[\*\*] Term: 14 Years

[21] Appl. No.: 838,257

[22] Filed: Sep. 30, 1977

[51] Int. Cl. .... D2-03

[52] U.S. Cl. .... D2/248

[58] Field of Search ..... D2/248, 250, 251, 254, D2/255, 256, 244, 231; D7/5

[56] References Cited

U.S. PATENT DOCUMENTS

- D. 92,706 7/1934 Dahlquist ..... D2/251
- D. 110,933 8/1938 Steffen ..... D2/251
- D. 239,588 4/1976 Krieger et al. .

2,237,639 4/1941 Spoljarich ..... 2/10

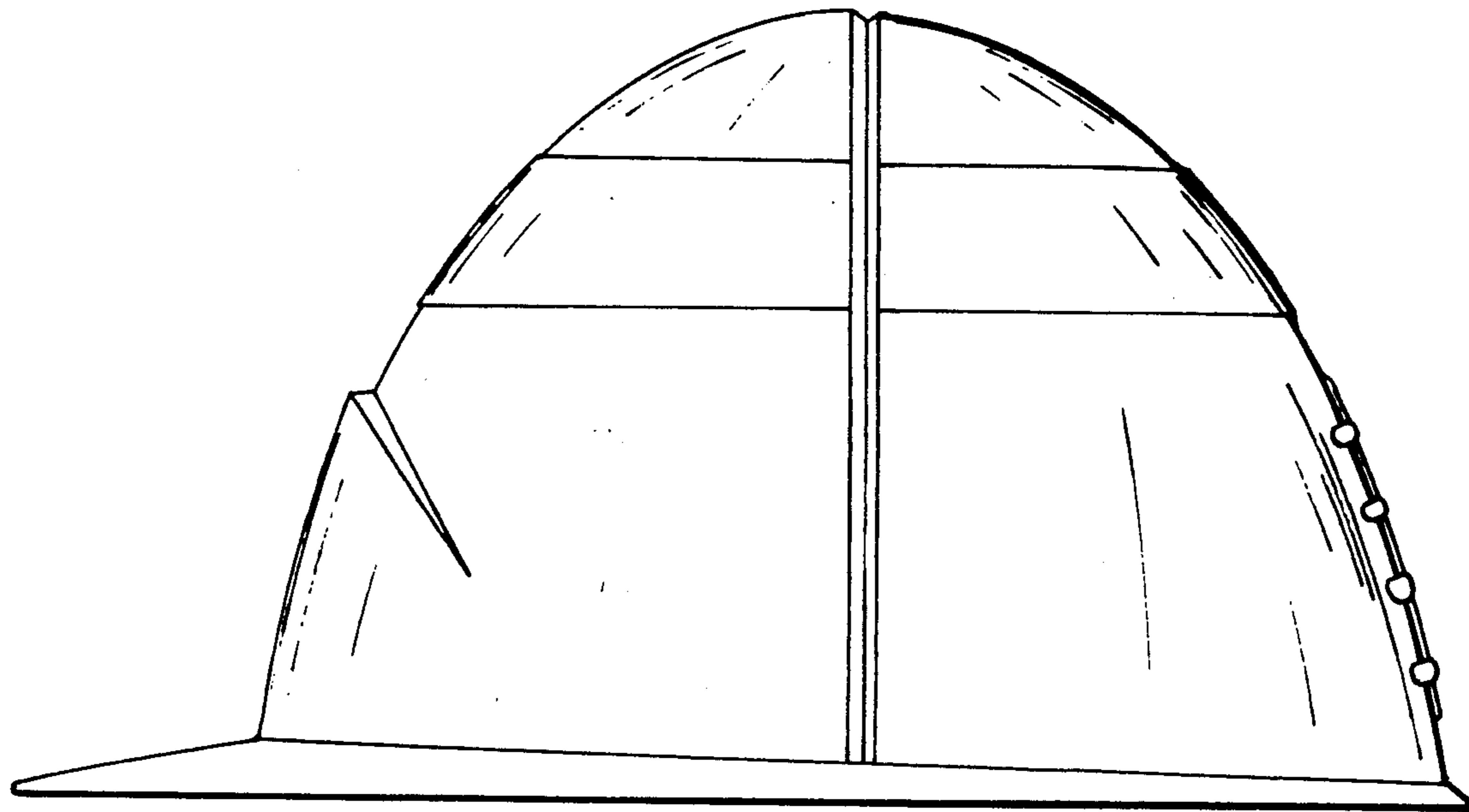
Primary Examiner—Melvin B. Feifer  
Attorney, Agent, or Firm—Marvin Jacobson

[57] CLAIM

The ornamental design for a football cap, as shown and described.

DESCRIPTION

FIG. 1 is a top view of a football cap showing my new design;  
 FIG. 2 is a side view;  
 FIG. 3 is a back view;  
 FIG. 4 is a front view;  
 FIG. 5 is an enlarged cross section of the hat material of an alternate embodiment showing a dimpled surface;  
 FIG. 6 is a bottom view of the embodiment of FIG. 1;  
 FIG. 7 is a side view of the embodiment having the dimpled surface of FIG. 5.



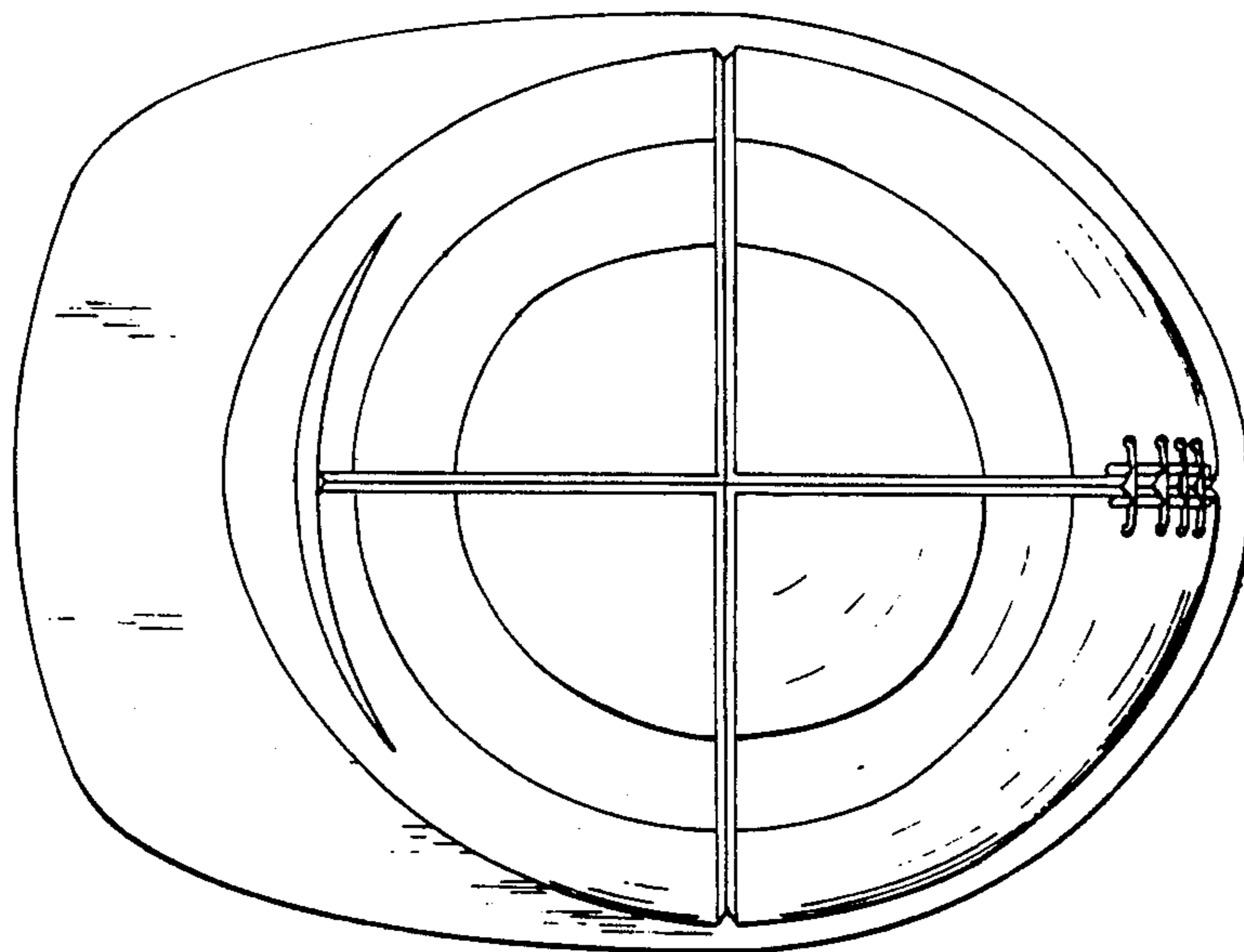


FIG. 1

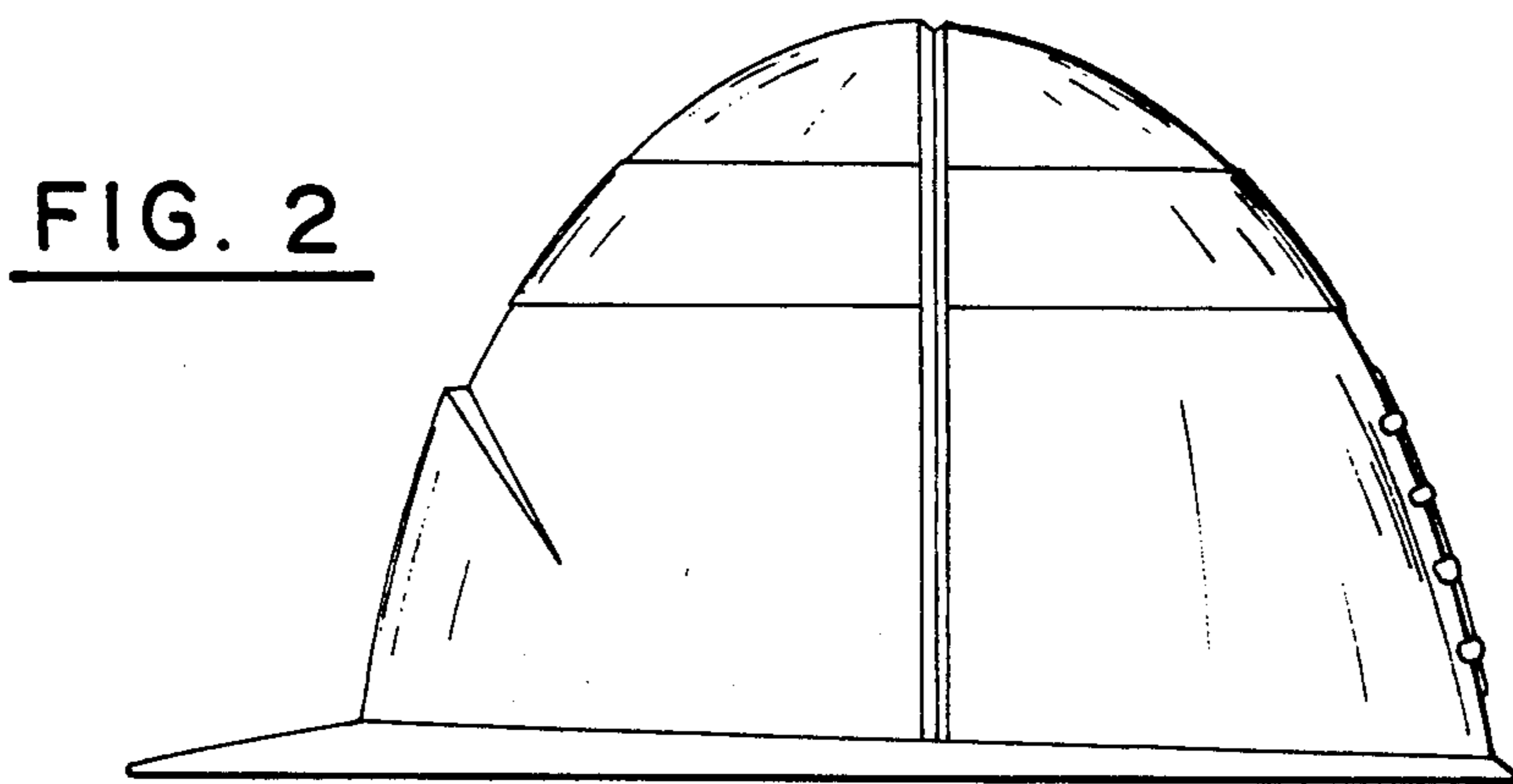


FIG. 2

FIG. 3

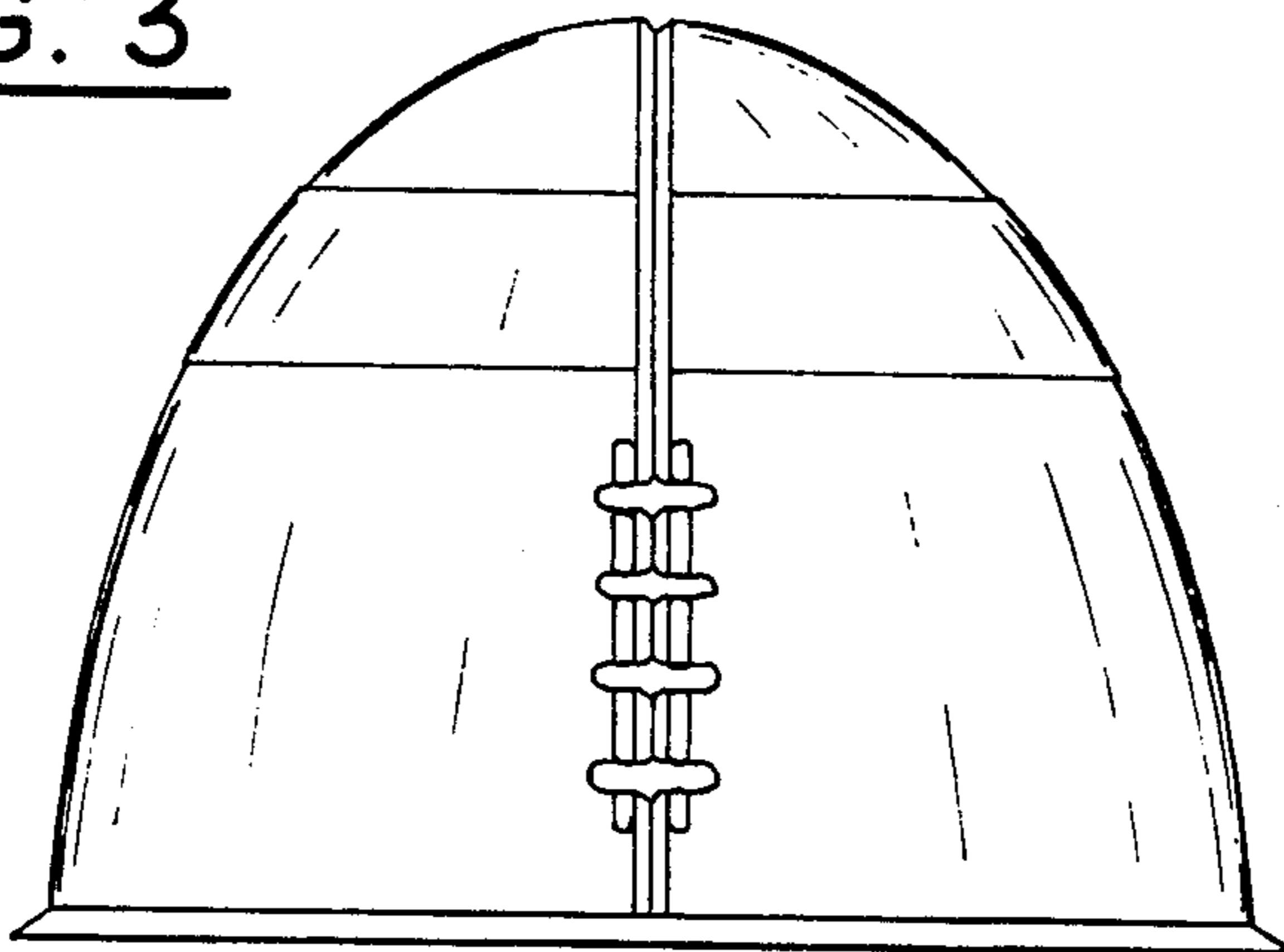


FIG. 4

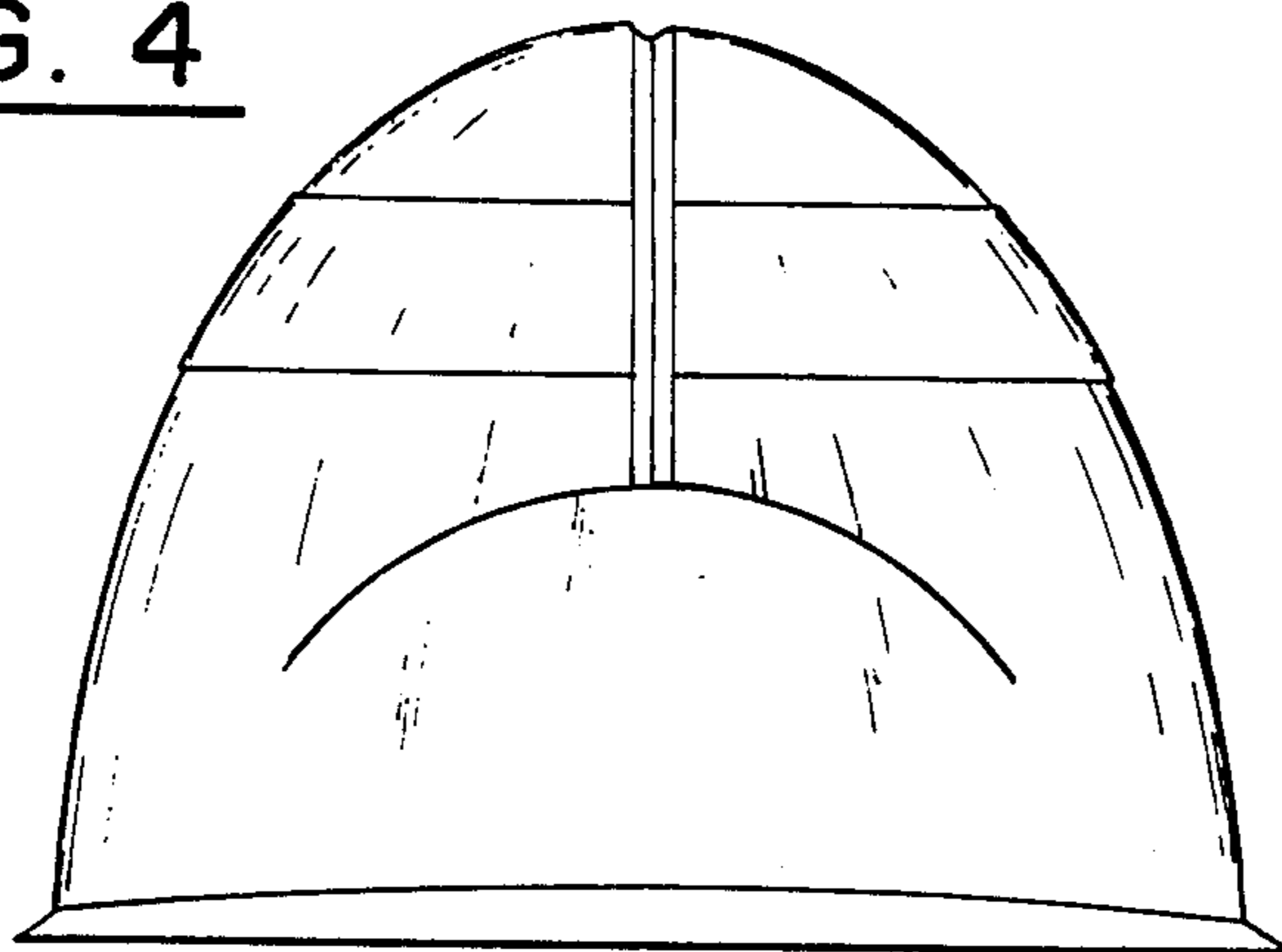


FIG. 5

FIG. 6

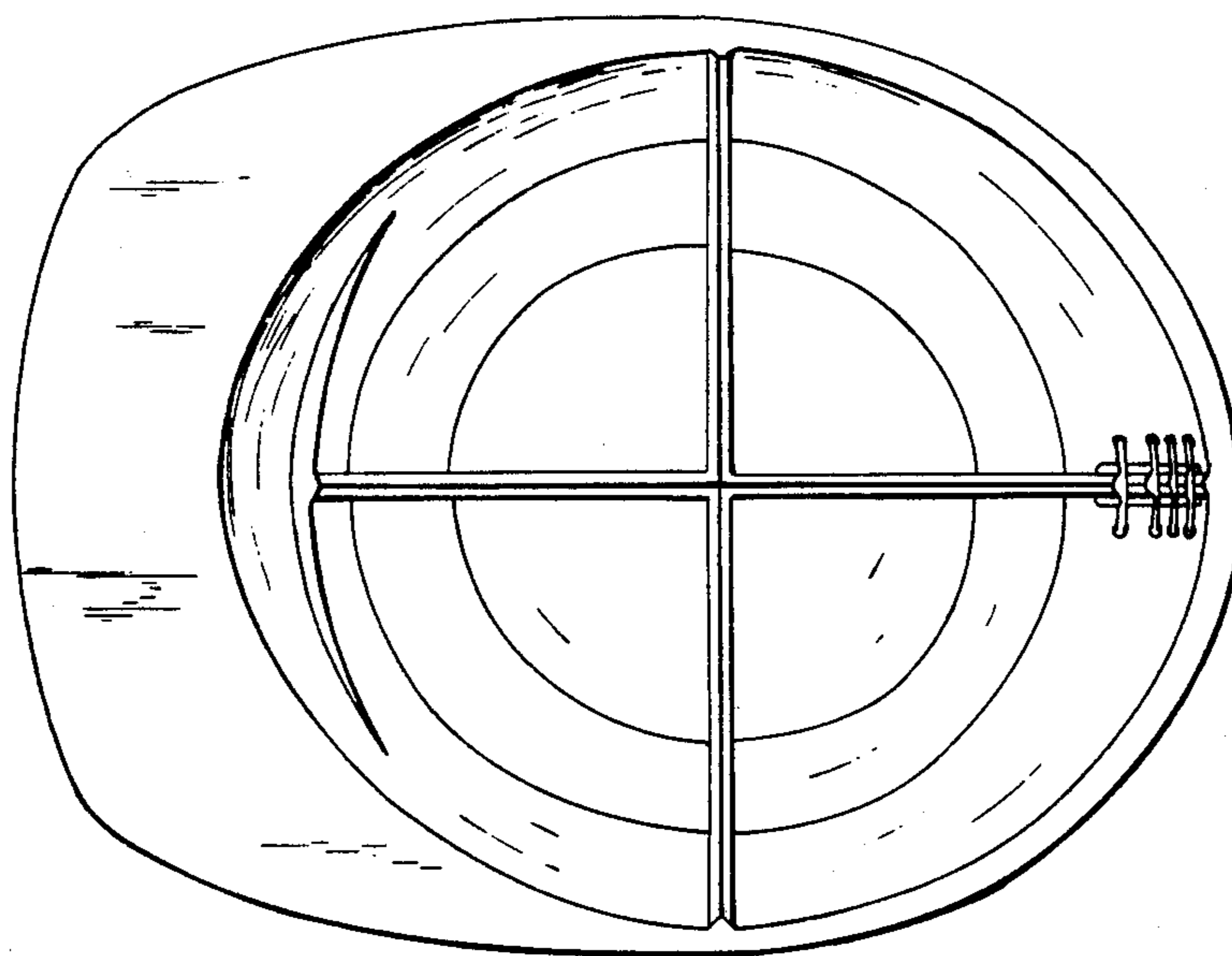


FIG. 7

