

[54] CUVETTE ASSEMBLY

[75] Inventor: Harold S. Terk, Richardson, Tex.

[73] Assignee: Abbott Laboratories, North Chicago, Ill.

[**] Term: 14 Years

[21] Appl. No.: 946,303

[22] Filed: Sep. 27, 1978

[51] Int. Cl. D24—02

[52] U.S. Cl. D24/29; D24/31

[58] Field of Search D24/8, 17, 21, 31, 29; 356/246; 422/72, 73

[56] References Cited

U.S. PATENT DOCUMENTS

D. 230,587	3/1974	Praglin et al.	D24/17
D. 240,052	5/1976	Varga	D24/17
4,013,368	3/1977	Acker et al.	356/246

4,178,345 12/1979 Terk 356/246

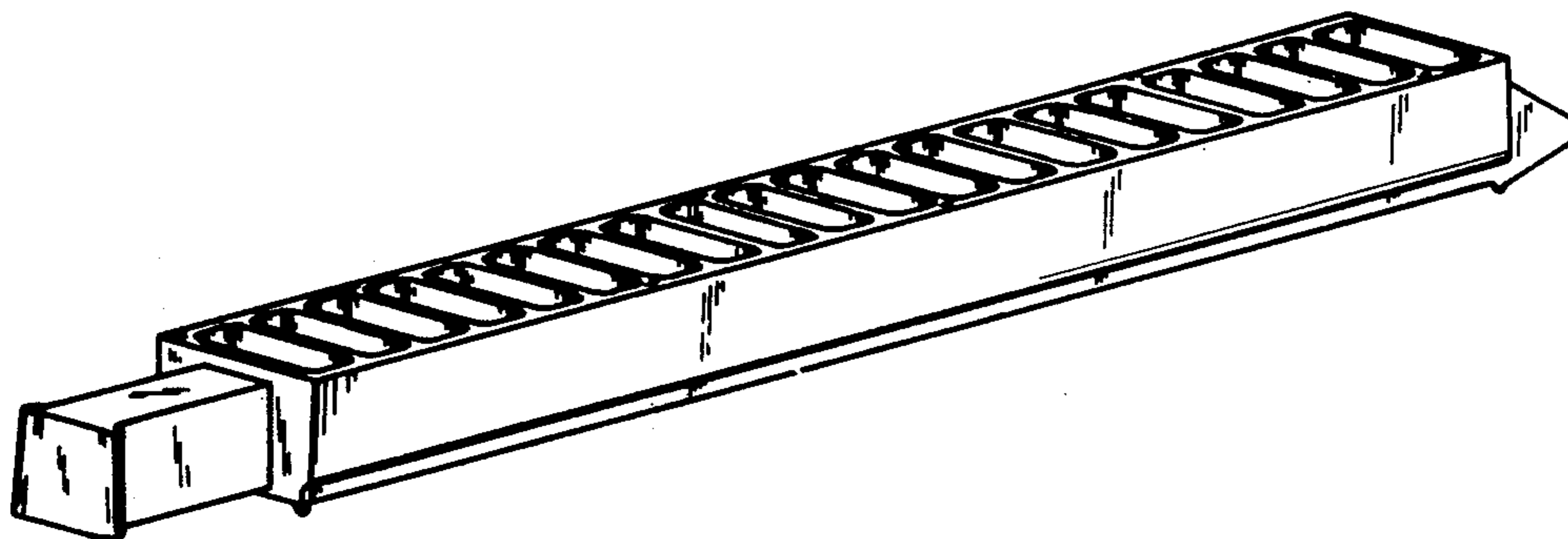
Primary Examiner—Sam Rosen
Attorney, Agent, or Firm—John J. McDonnell

[57] CLAIM

The ornamental design for a cuvette assembly, substantially as shown and described.

DESCRIPTION

FIG. 1 is a top perspective view of the cuvette assembly showing my new design; FIG. 2 is a bottom perspective view thereof; FIG. 3 is a right-side elevation view thereof; FIG. 4 is a front-end elevation view thereof; FIG. 5 is a rear-end elevation view thereof; FIG. 6 is a left-side elevation view thereof; FIG. 7 is a bottom plan view thereof; FIG. 8 is a top plan view thereof; and FIG. 9 is a cross-sectional view along lines 9—9 of FIG. 8 illustrating the "U" shape of the cuvettes in the assembly.



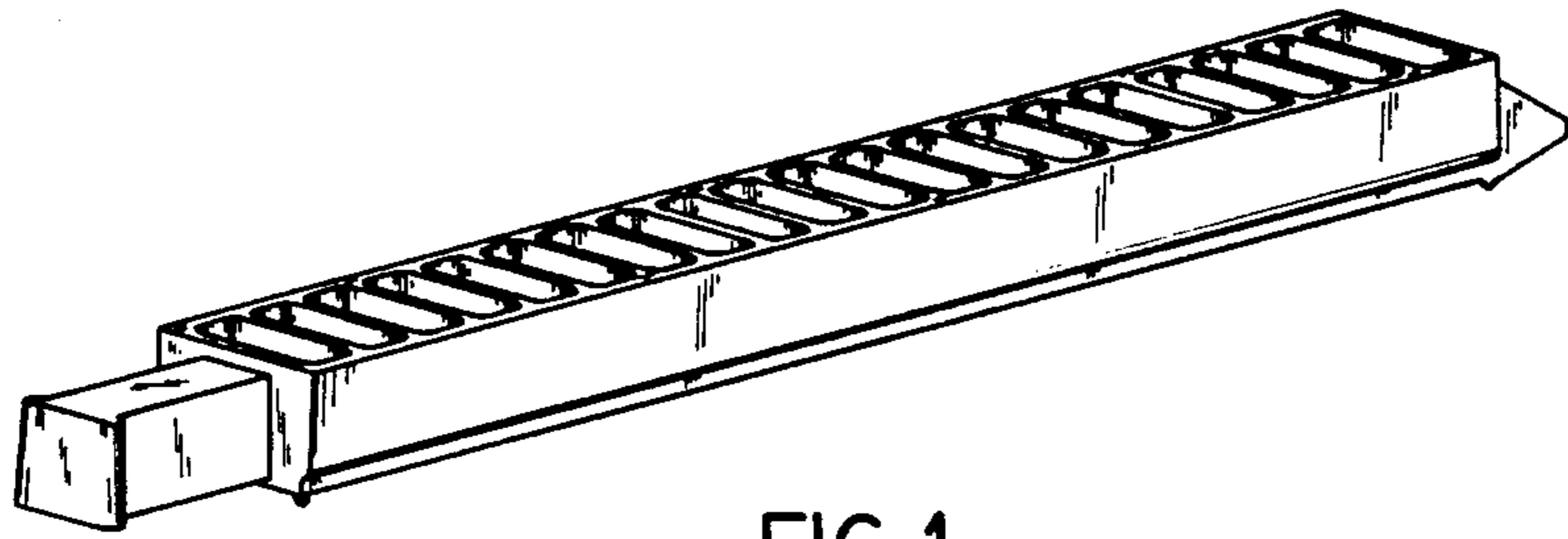


FIG. 1

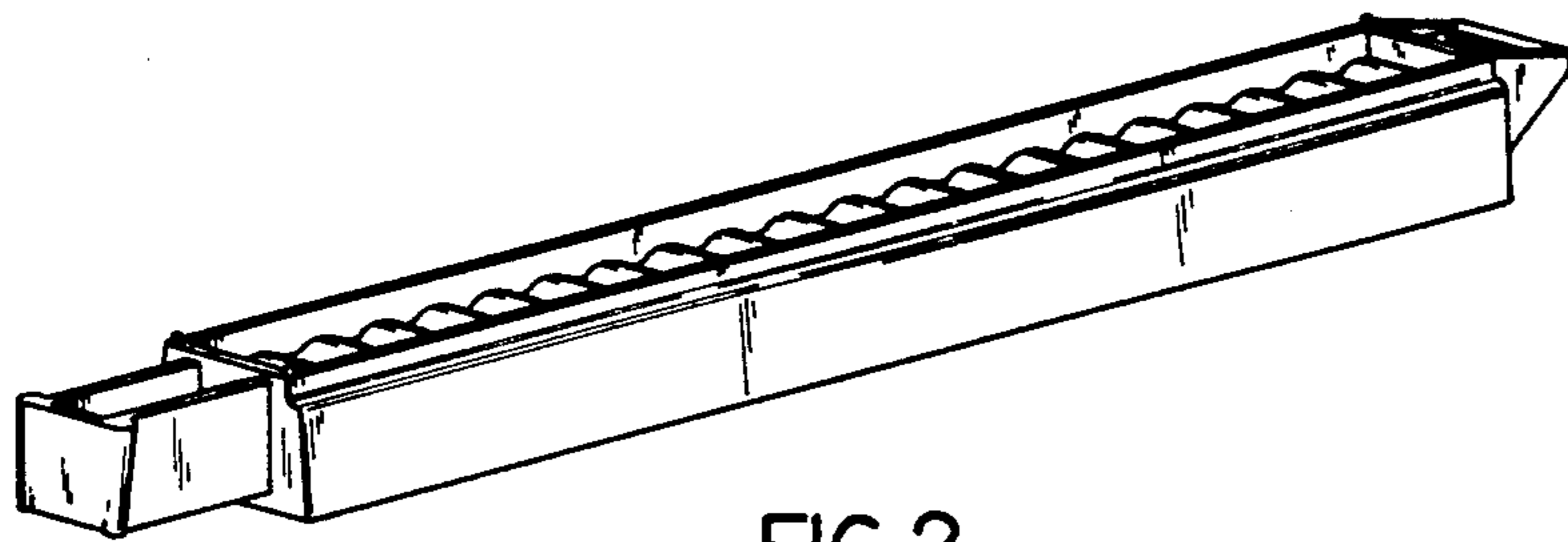


FIG. 2



FIG. 4

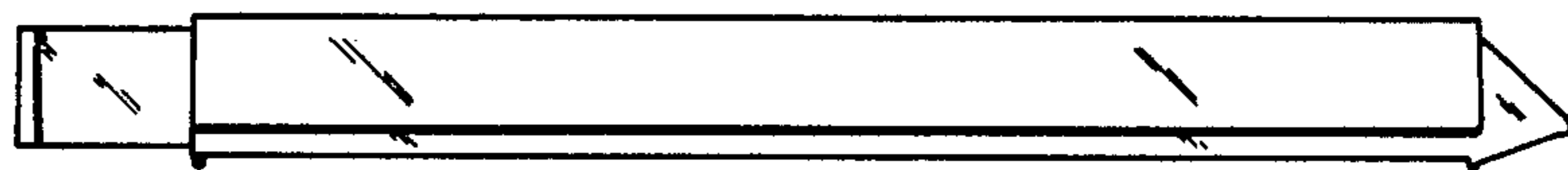


FIG. 3



FIG. 9



FIG. 8



FIG. 5

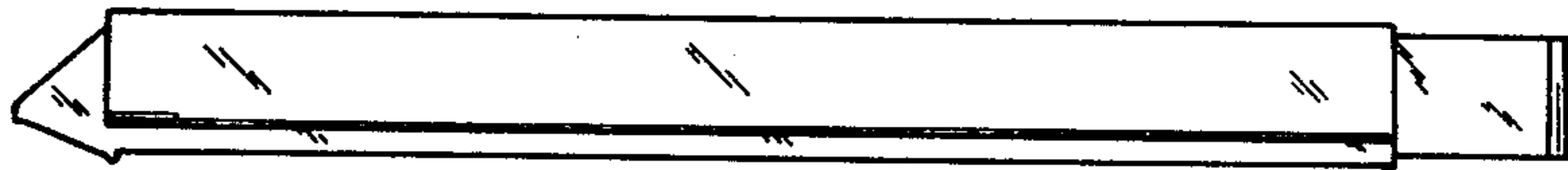


FIG. 6



FIG. 7