

[54] SKIN TREATMENT CONSOLE
 [75] Inventors: Raffi Francian, Santa Ana, Calif.;
 Giovanni Scavo, 8390 Waverly Cir.,
 Buena Park, Calif. 90621
 [73] Assignee: Giovanni Scavo, Buena Park, Calif.
 [**] Term: 14 Years
 [21] Appl. No.: 877,793
 [22] Filed: Feb. 14, 1978
 [51] Int. Cl. D24-01
 [52] U.S. Cl. D24/1.1
 [58] Field of Search D48/20 H; D24/39, 1.1;
 128/362, 399, 400, 404

D. 248,968 8/1978 McMillan D24/39
 Primary Examiner—Sam Rosen
 Attorney, Agent, or Firm—William W. Haefliger

[57] CLAIM

The ornamental design for a skin treatment console, substantially as shown and described.

DESCRIPTION

FIG. 1 is a side elevation of a skin treatment console, with the opposite side being the same but for the handle which is shown in broken lines for illustrative purposes only;

FIG. 2 is a top plan view thereof;

FIG. 3 is a left end elevation view thereof;

FIG. 4 is a right end elevation view thereof.

The underside of the platform base, the underside of the arm extending from the vertical post and the horizontal portion under the top of the console are plain and unornamented.

[56] References Cited
 U.S. PATENT DOCUMENTS
 D. 226,021 1/1973 Haft D48/20 H

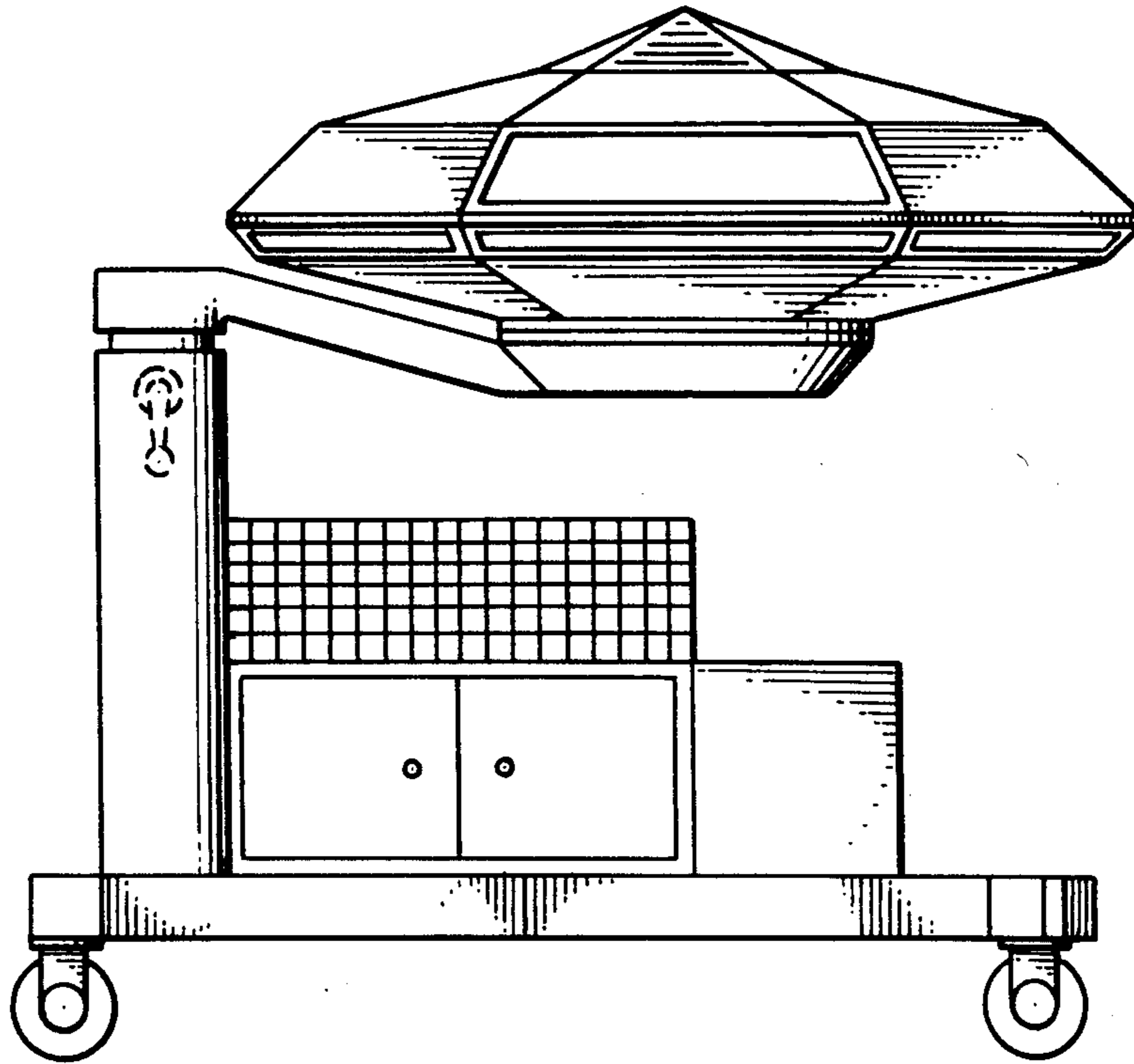


FIG. 1.

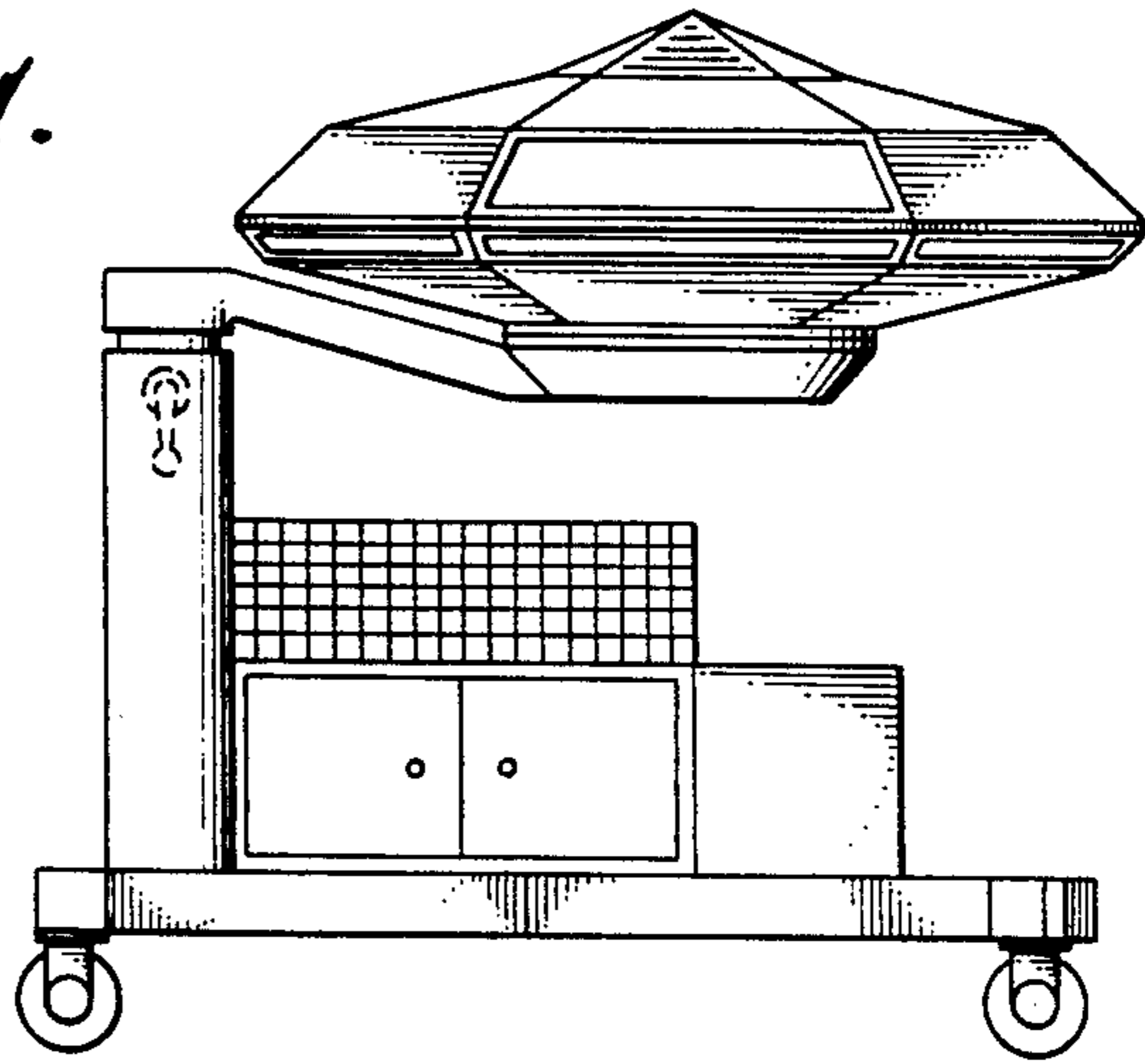


FIG. 3.

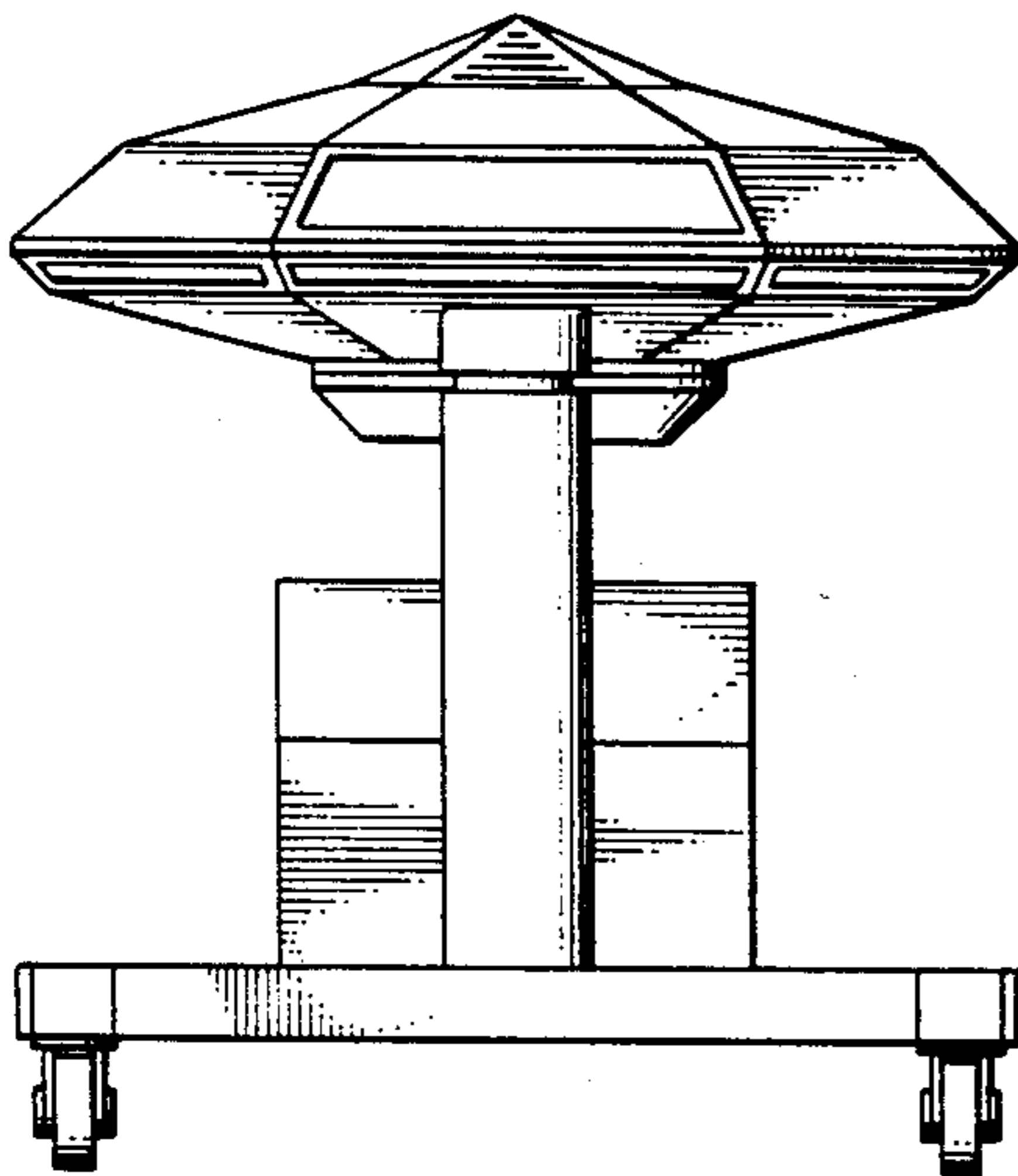


FIG. 2.

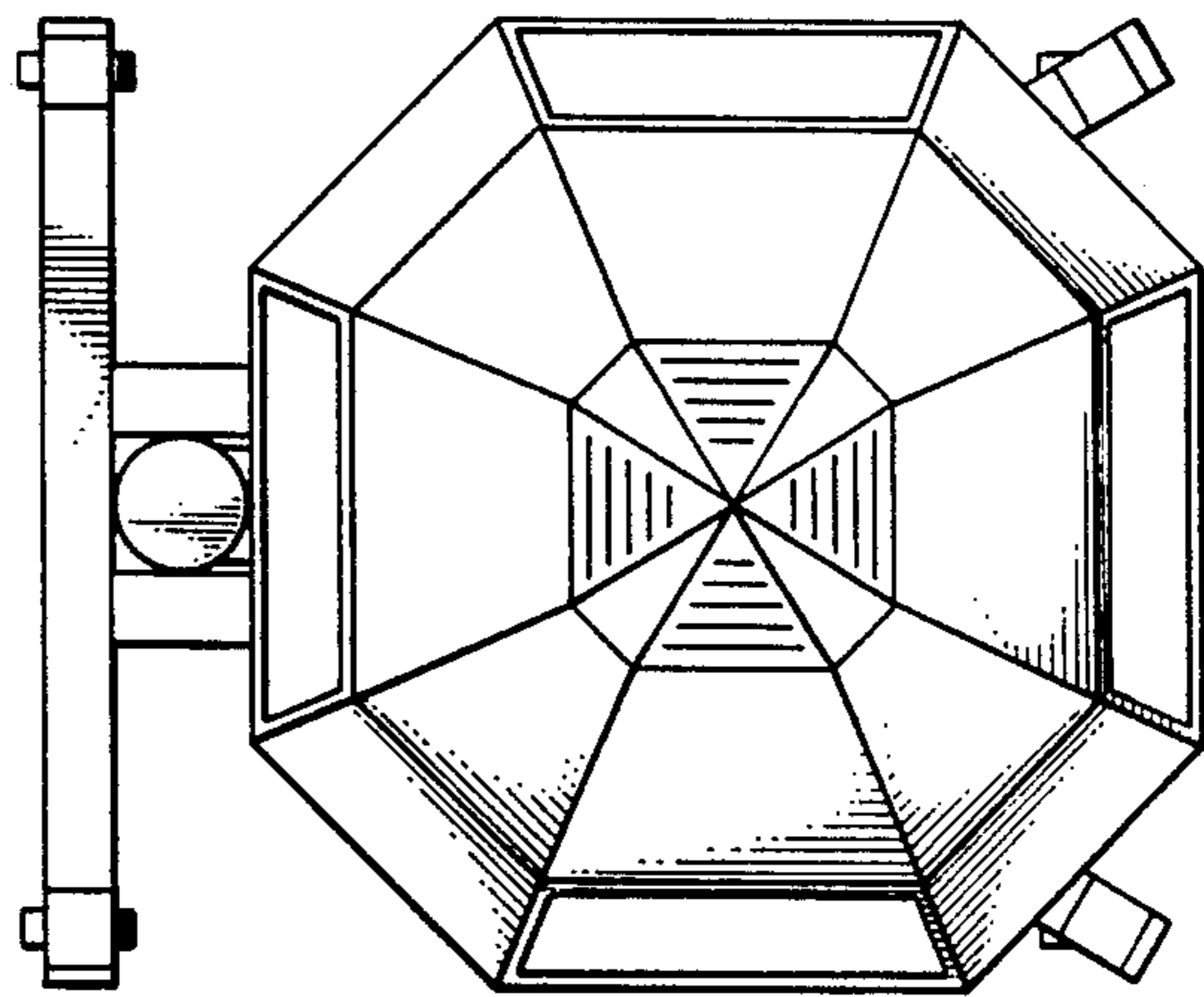


FIG. 4.

