

[54] FIRE-PLACE

[75] Inventor: **Henrik W. Sommerschild**, Oslo,  
Norway  
[73] Assignee: **Aksjeselskapet Jotul**, Oslo, Norway  
[\*\*] Term: **14 Years**  
[21] Appl. No.: **941,672**  
[22] Filed: **Sep. 12, 1978**

[30] **Foreign Application Priority Data**  
May 30, 1978 [NO] Norway ..... 7859239  
[51] Int. Cl. .... D23-03  
[52] U.S. Cl. .... D23/97  
[58] Field of Search ..... D23/72, 86, 89, 92,  
D23/93, 94, 97, 105, 107, 108, 127, 128;  
D7/112, 113, 114; 126/4.6, 58, 59, 60, 62, 65,  
120, 121, 123, 126, 138, 190, 200, 211, 217

[56] **References Cited**

**U.S. PATENT DOCUMENTS**

D. 235,447 6/1975 Lever ..... D23/97  
D. 236,620 9/1975 Conti ..... D23/97 X  
D. 238,784 2/1976 Wescott ..... D23/97  
D. 250,718 1/1979 Koster ..... D23/97

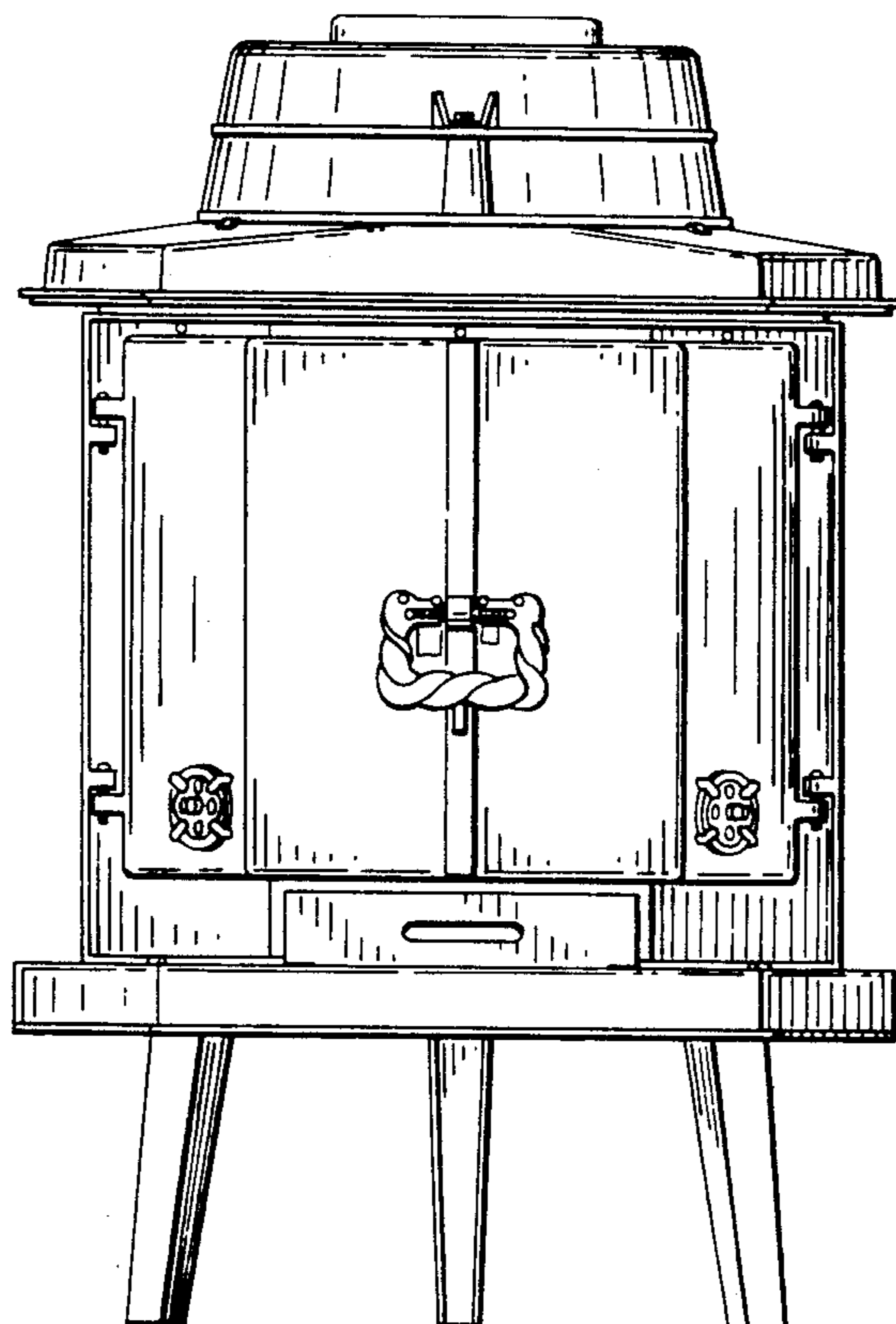
*Primary Examiner*—Catherine E. Kemper  
*Attorney, Agent, or Firm*—Irvin S. Thompson

[57] **CLAIM**

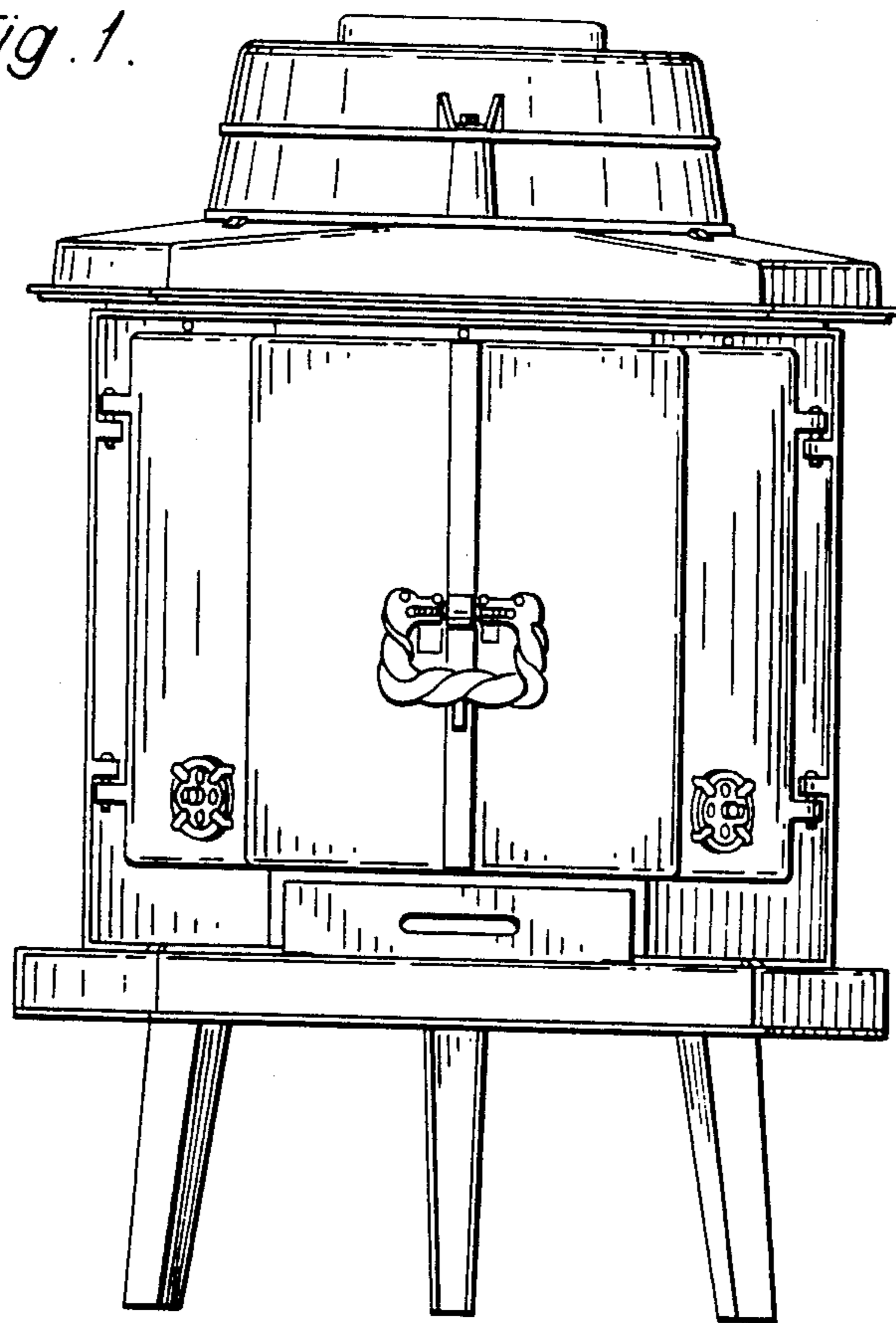
The ornamental design for a fire-place, as shown and described.

**DESCRIPTION**

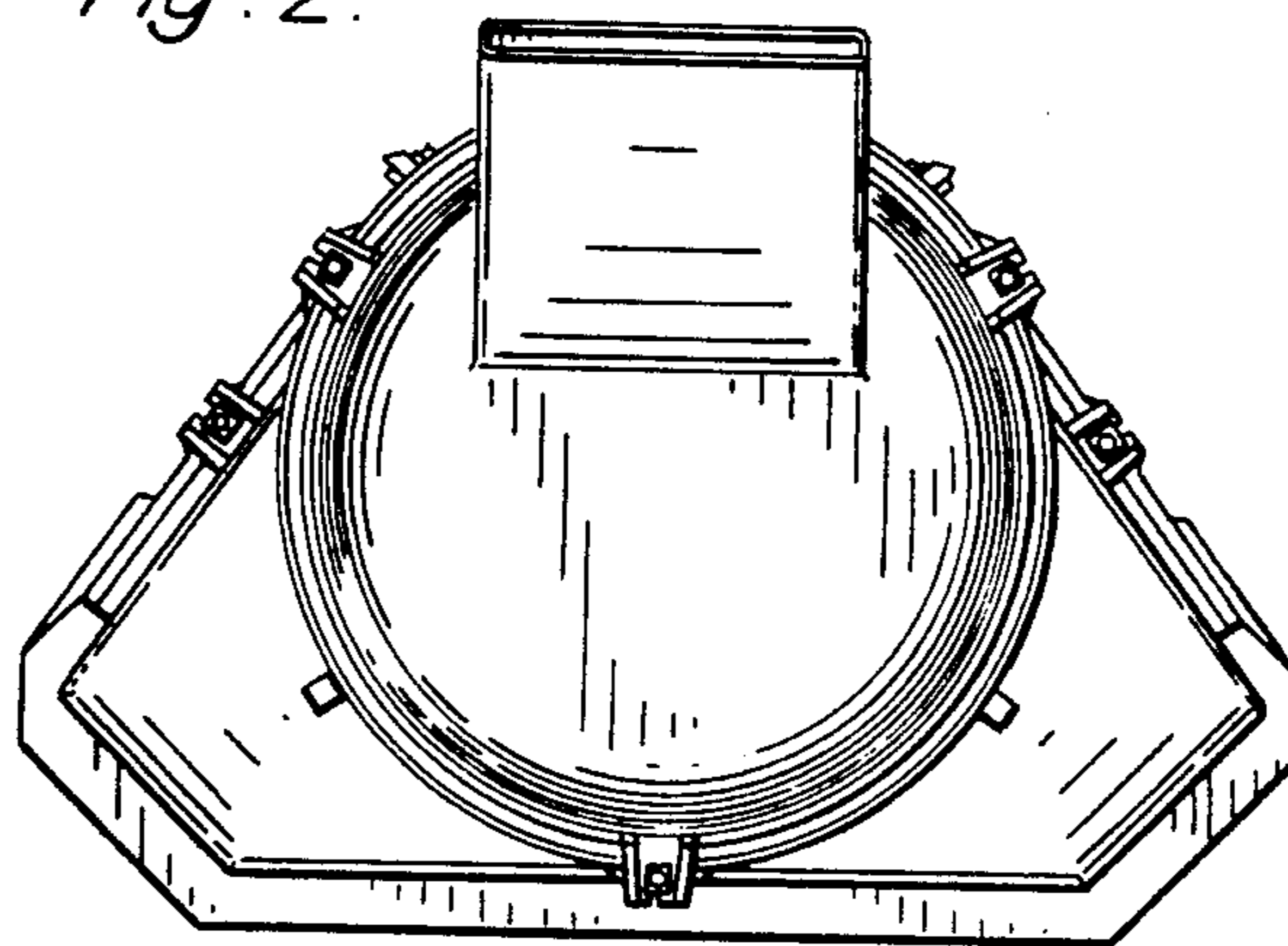
FIG. 1 is a front elevational view of a fireplace, showing my new design;  
FIG. 2 is a top plan view thereof;  
FIG. 3 is a side elevational view, the opposite side being a mirror image thereof;  
FIG. 4 is a rear elevational view thereof;  
FIG. 5 is a bottom plan view thereof;  
FIG. 6 is a front elevational view of the fireplace with the front doors fully opened;  
FIG. 7 is a front elevational view of the fireplace with the front doors partially opened.



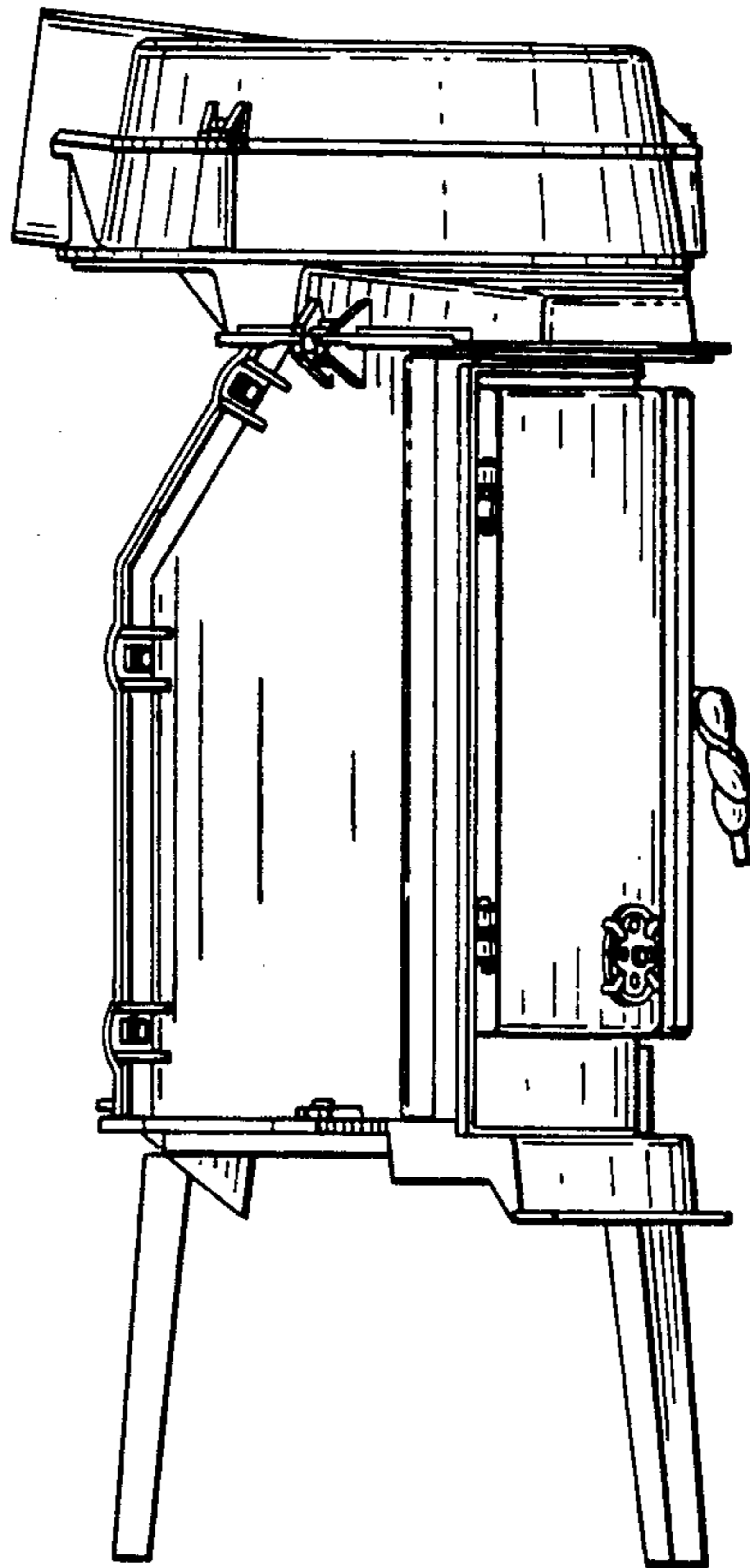
*Fig. 1.*



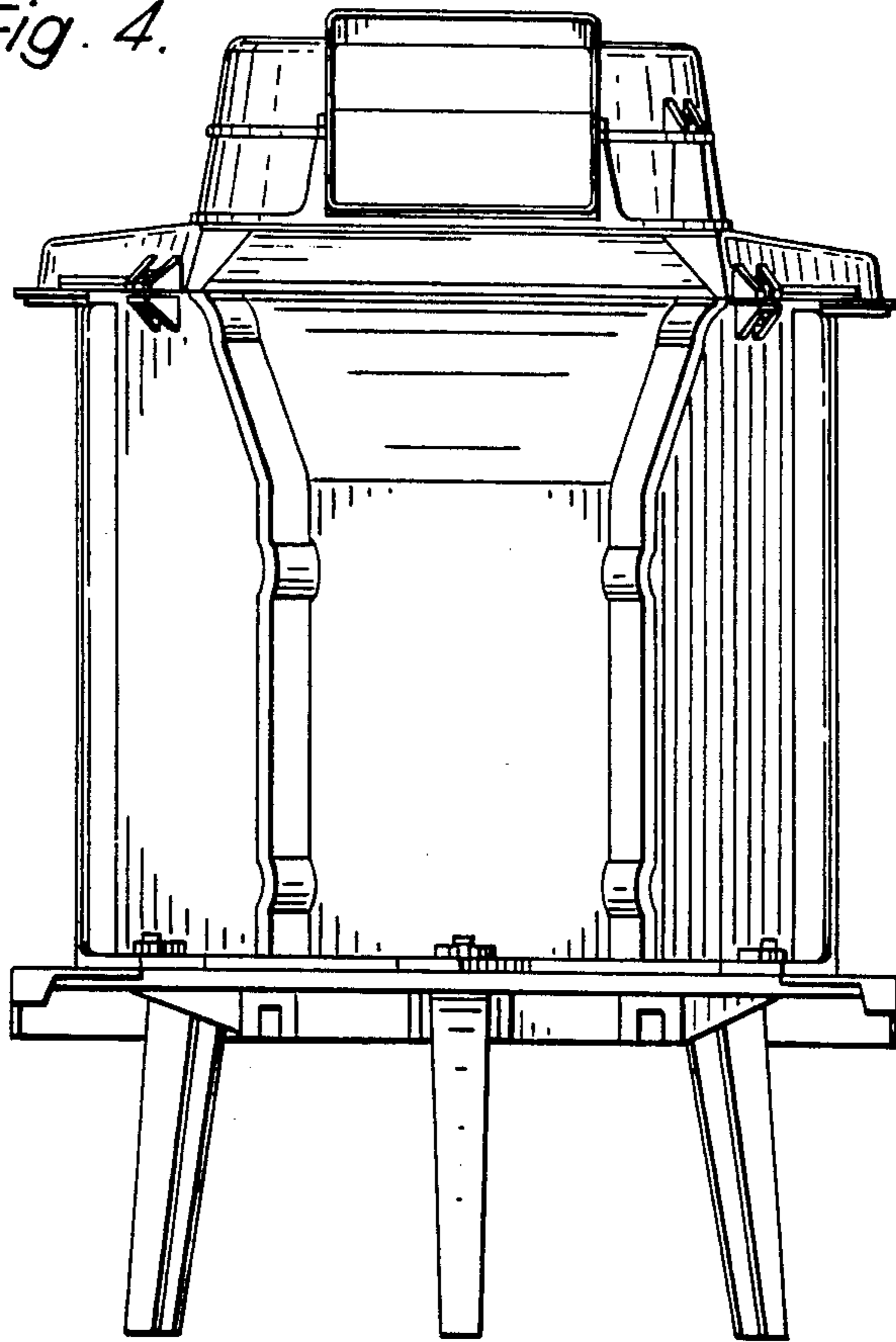
*Fig. 2.*



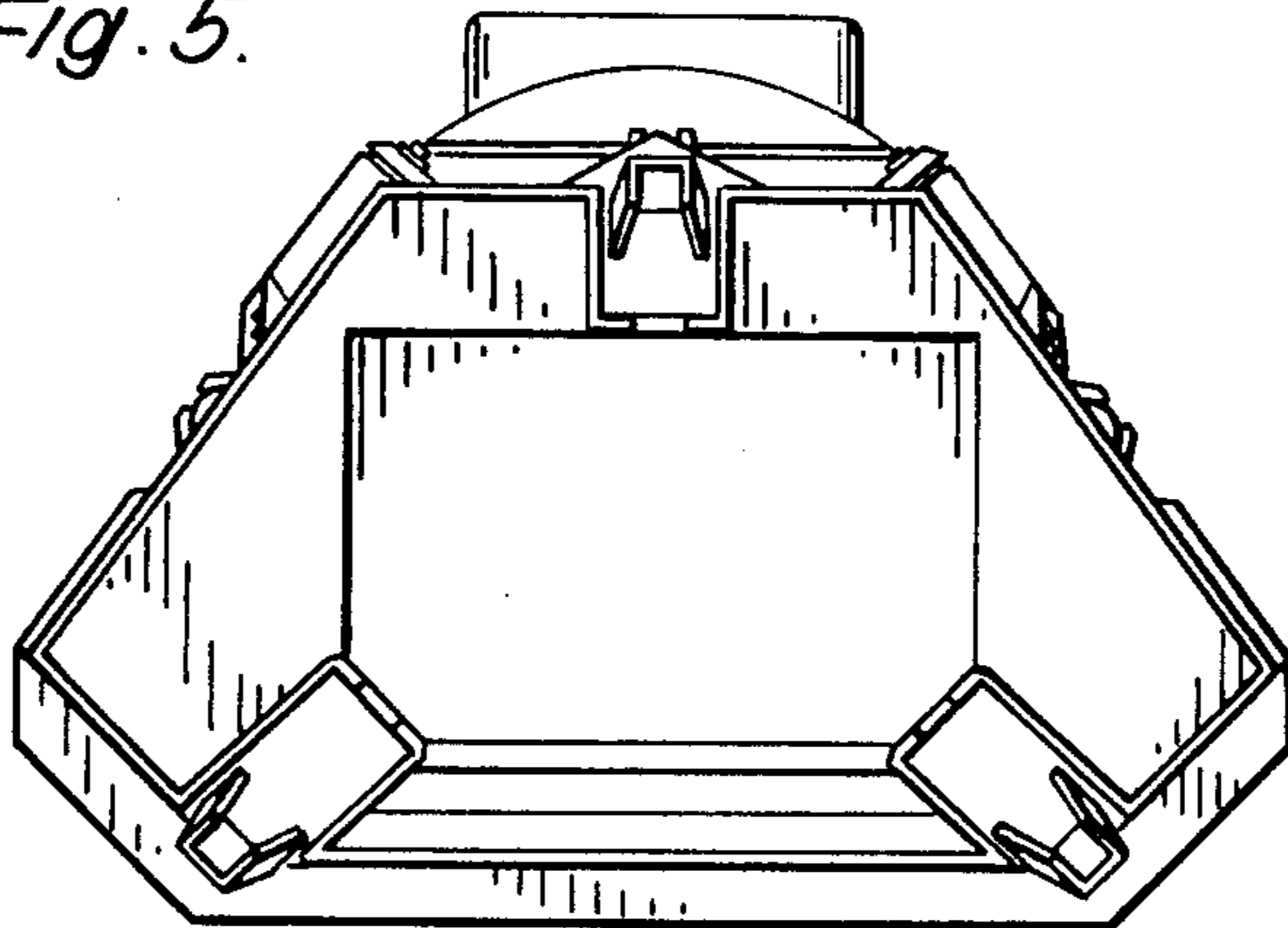
*Fig. 3.*



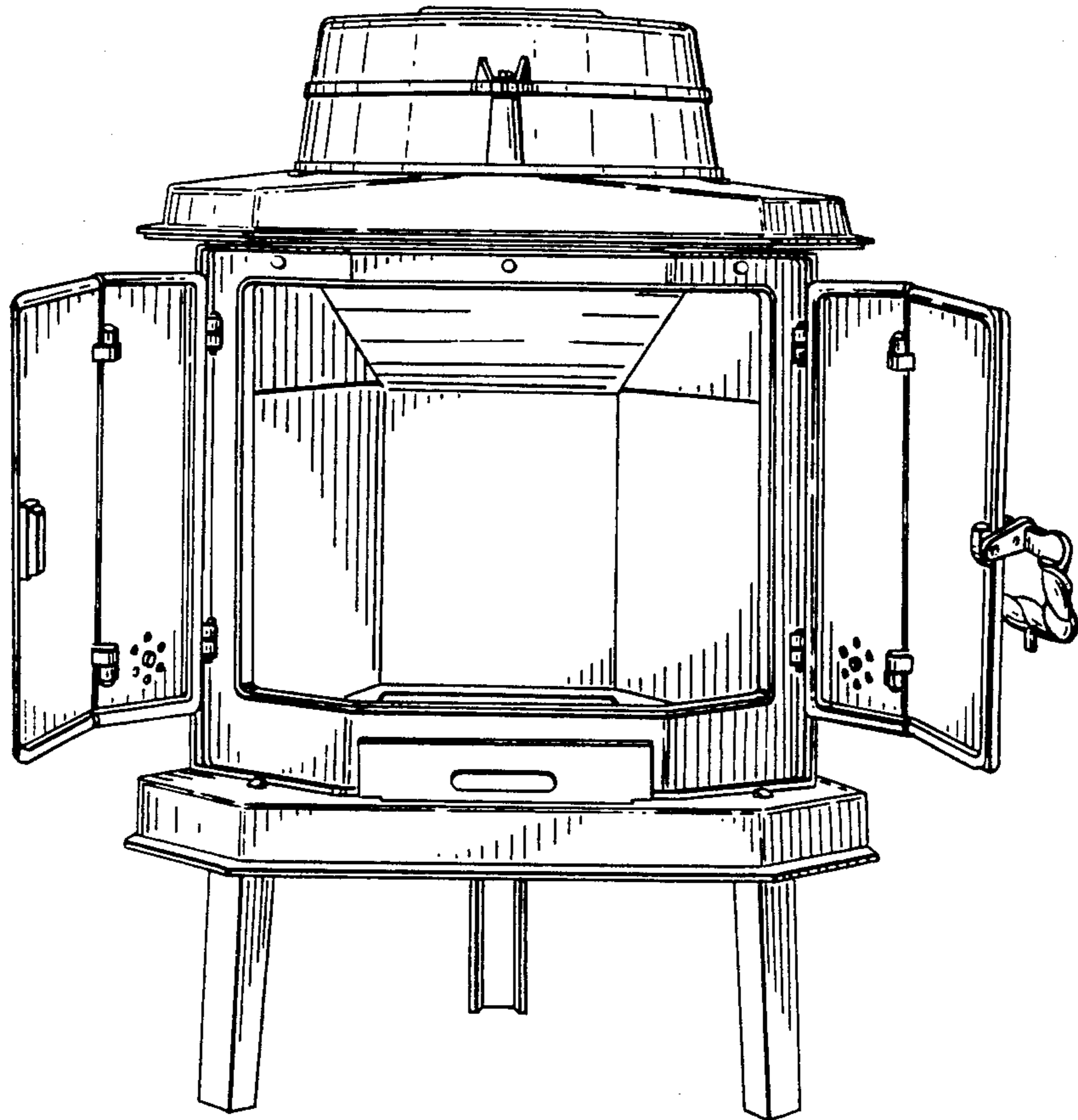
*Fig. 4.*



*Fig. 5.*



*Fig. 6.*



*Fig. 7.*

