

[54] FISHING REEL

[75] Inventors: Masakazu Sakamoto; Takeshi Shohoji, both of Fukuyama, Japan

[73] Assignee: Ryobi, Ltd., Fuchu, Japan

[**] Term: 14 Years

[21] Appl. No.: 961,073

[22] Filed: Nov. 15, 1978

[30] Foreign Application Priority Data

May 16, 1978 [JP] Japan 53-20061

[51] Int. Cl. D22-05

[52] U.S. Cl. D22/25

[58] Field of Search D22/25; 242/84.1, 84.21, 242/84.2; 43/23

[56] References Cited

U.S. PATENT DOCUMENTS

D. 223,355	4/1972	Kuroki	D22/25
D. 245,784	9/1977	Okada	D22/25
3,138,344	6/1964	Small	D22/25 X
3,250,489	5/1966	Hiromitsu	D22/25 X

Primary Examiner—A. Hugo Word
Attorney, Agent, or Firm—Richard C. Sughrue

[57] CLAIM

The ornamental design for a fishing reel, as shown.

DESCRIPTION

FIG. 1 is a front, top and left side perspective view of a fishing reel showing our new design;
 FIG. 2 is a bottom, rear and right side perspective view thereof;
 FIG. 3 is a front elevational view thereof;
 FIG. 4 is a rear elevational view thereof;
 FIG. 5 is a top plan view thereof;
 FIG. 6 is a bottom plan view thereof;
 FIG. 7 is a left side elevational view thereof; and
 FIG. 8 is a right side elevational view thereof.

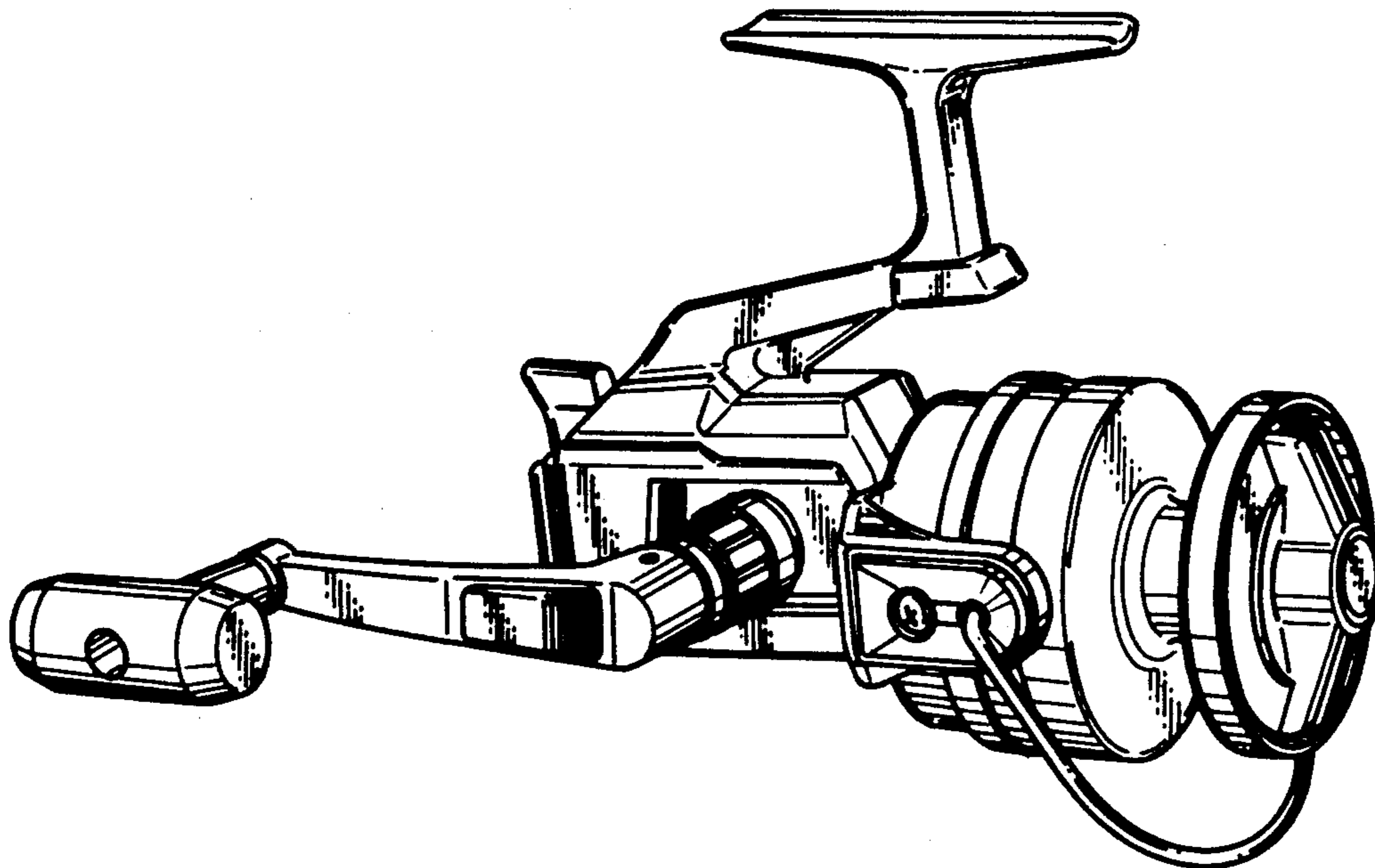


Fig. 1

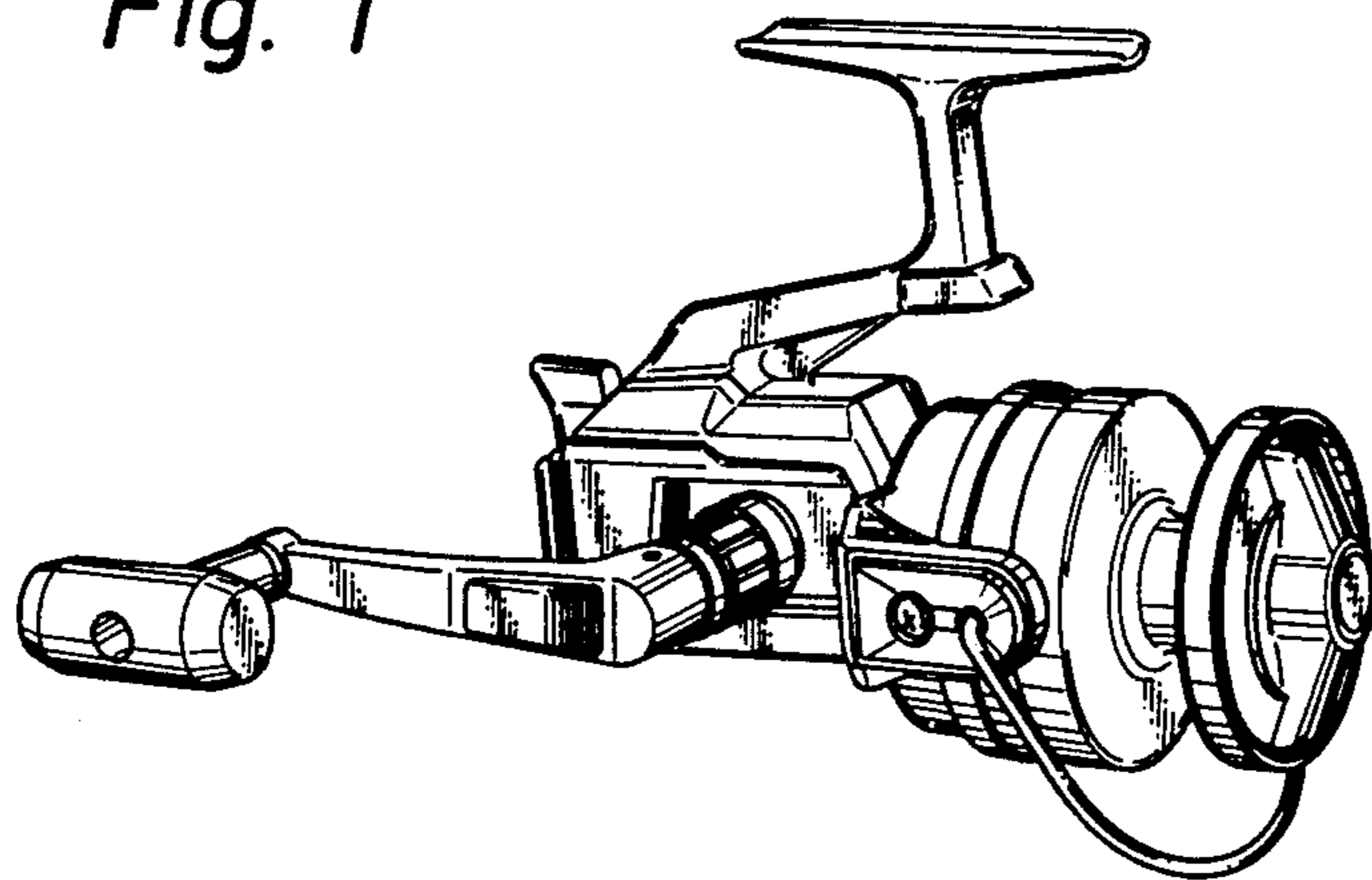


Fig. 2

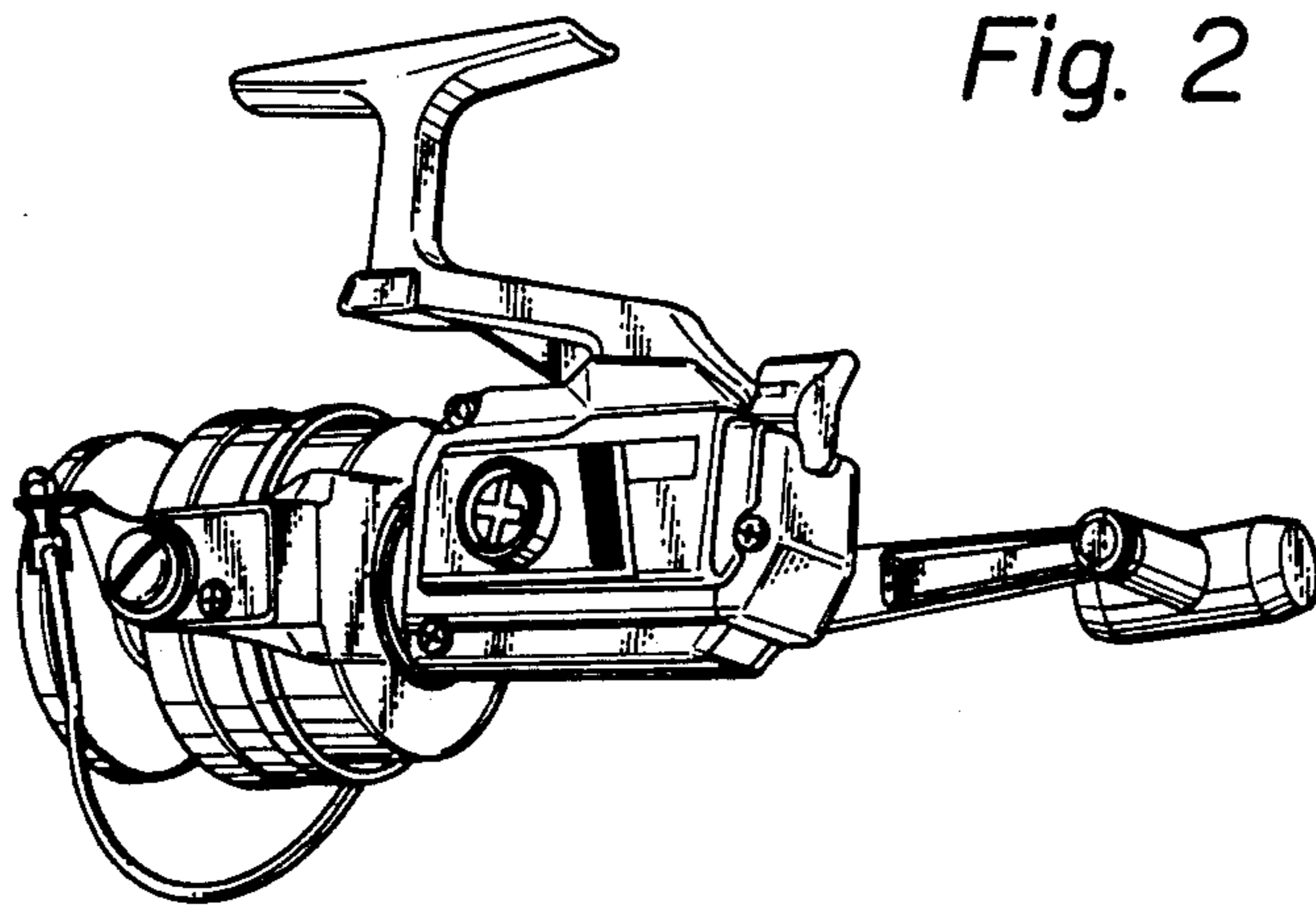


Fig. 3

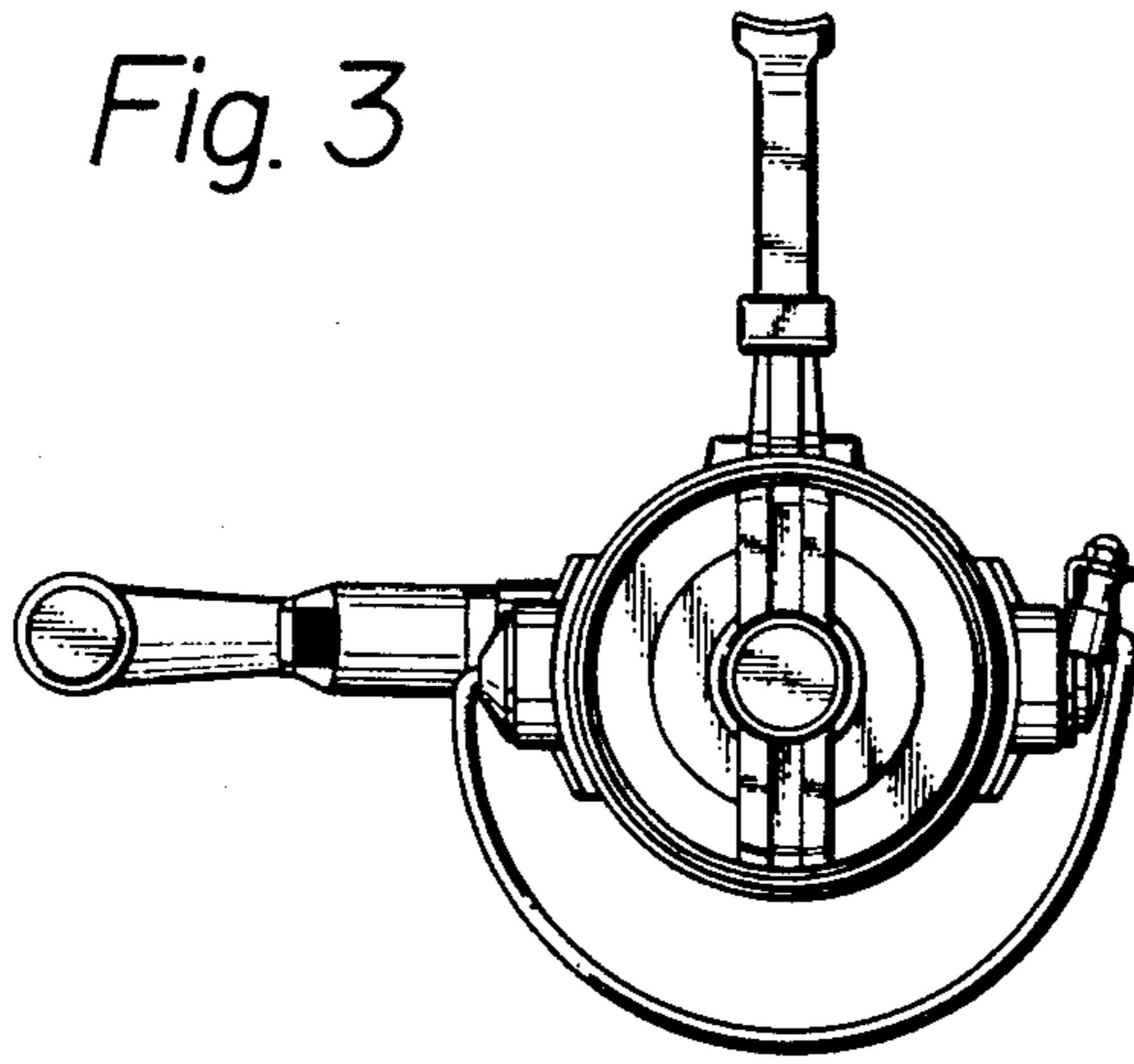
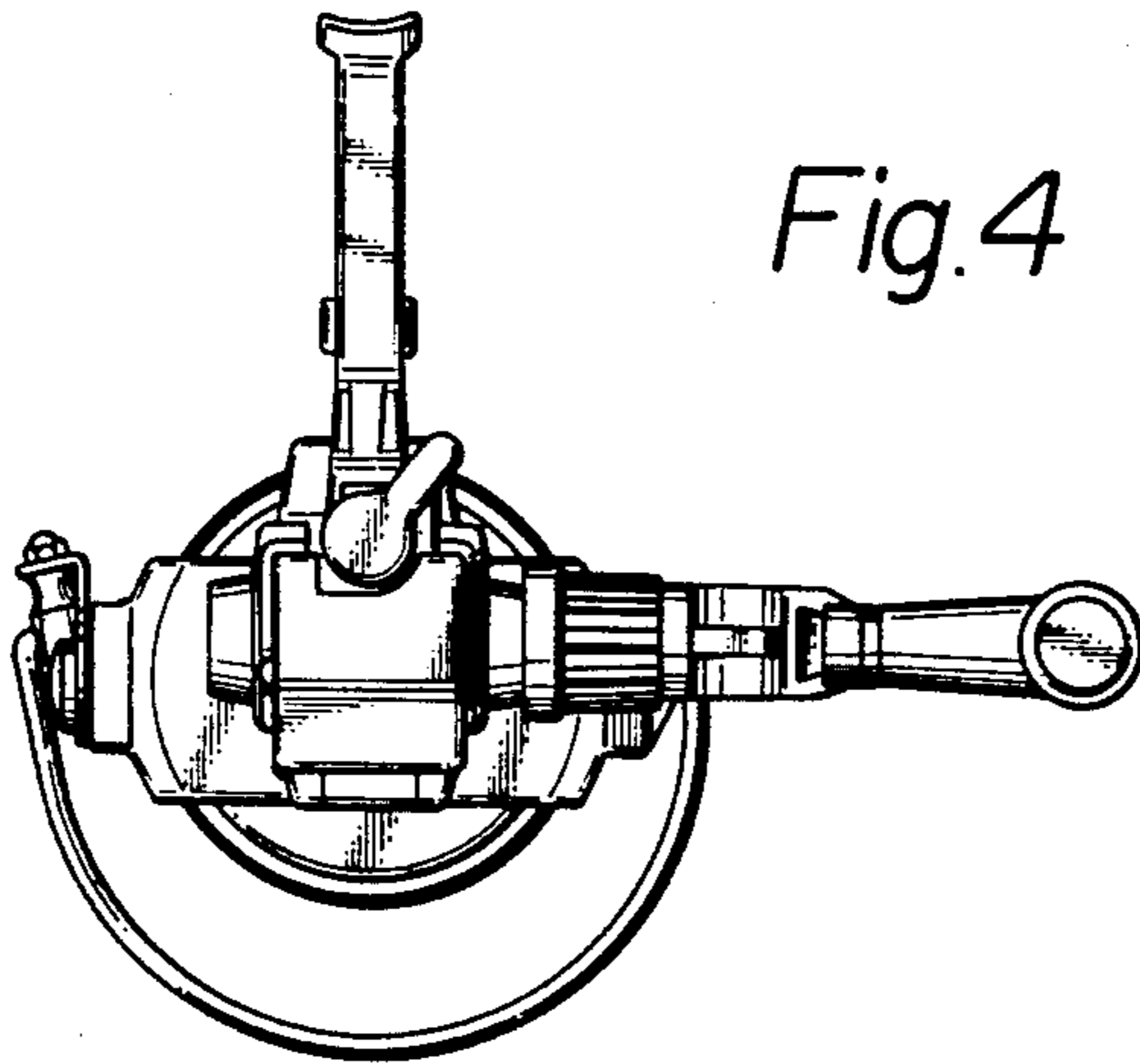


Fig. 4



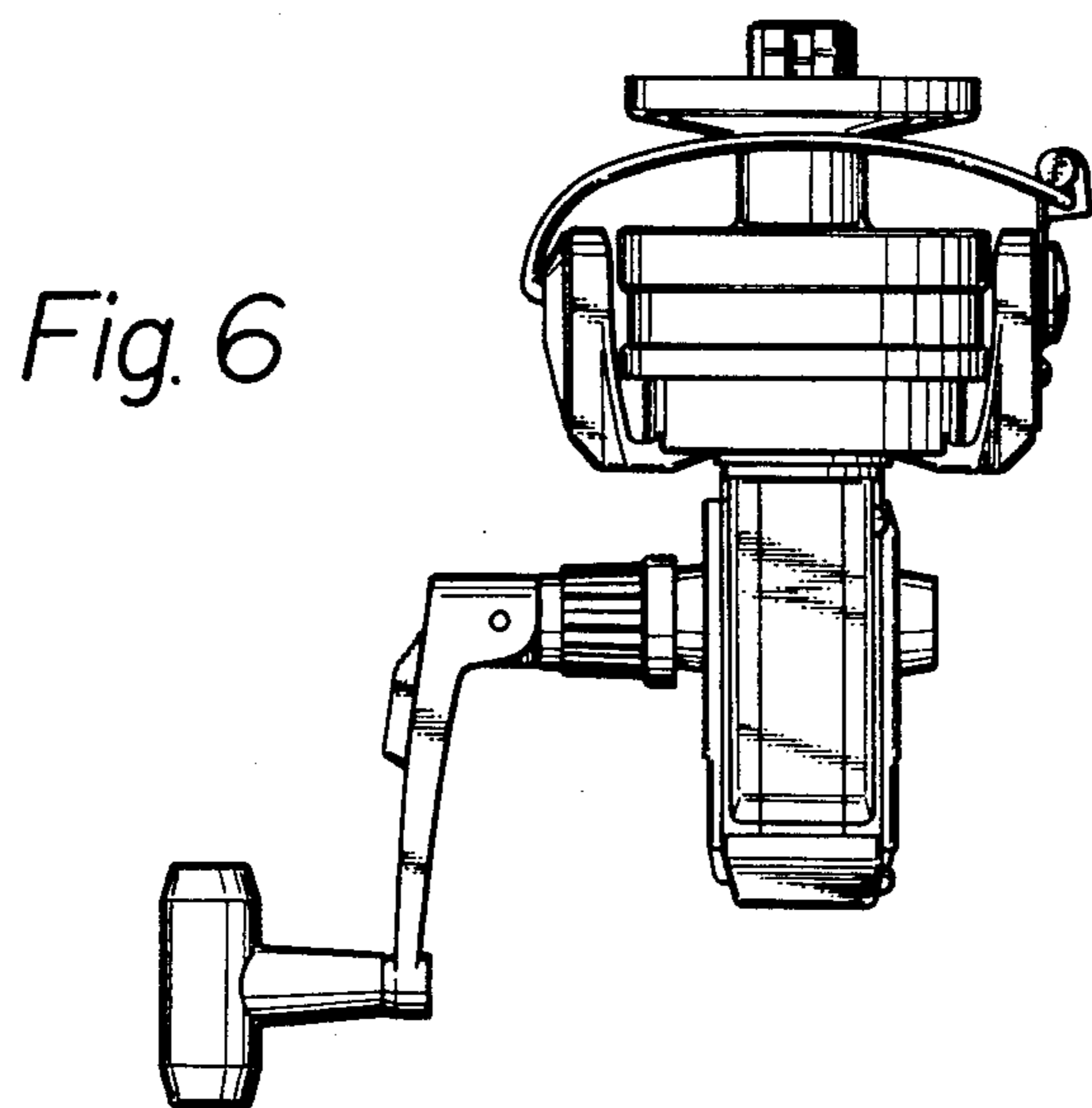
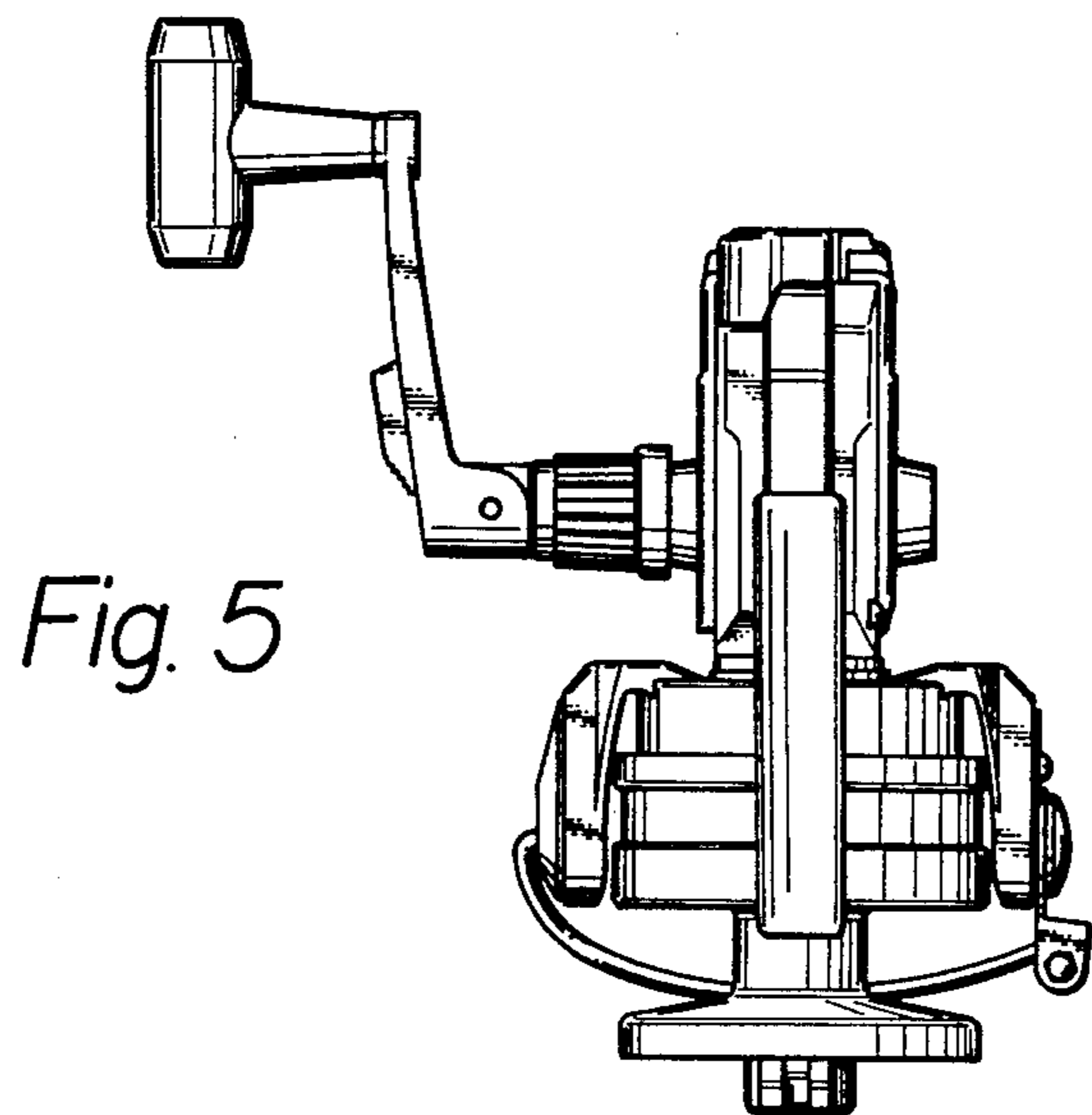


Fig. 7

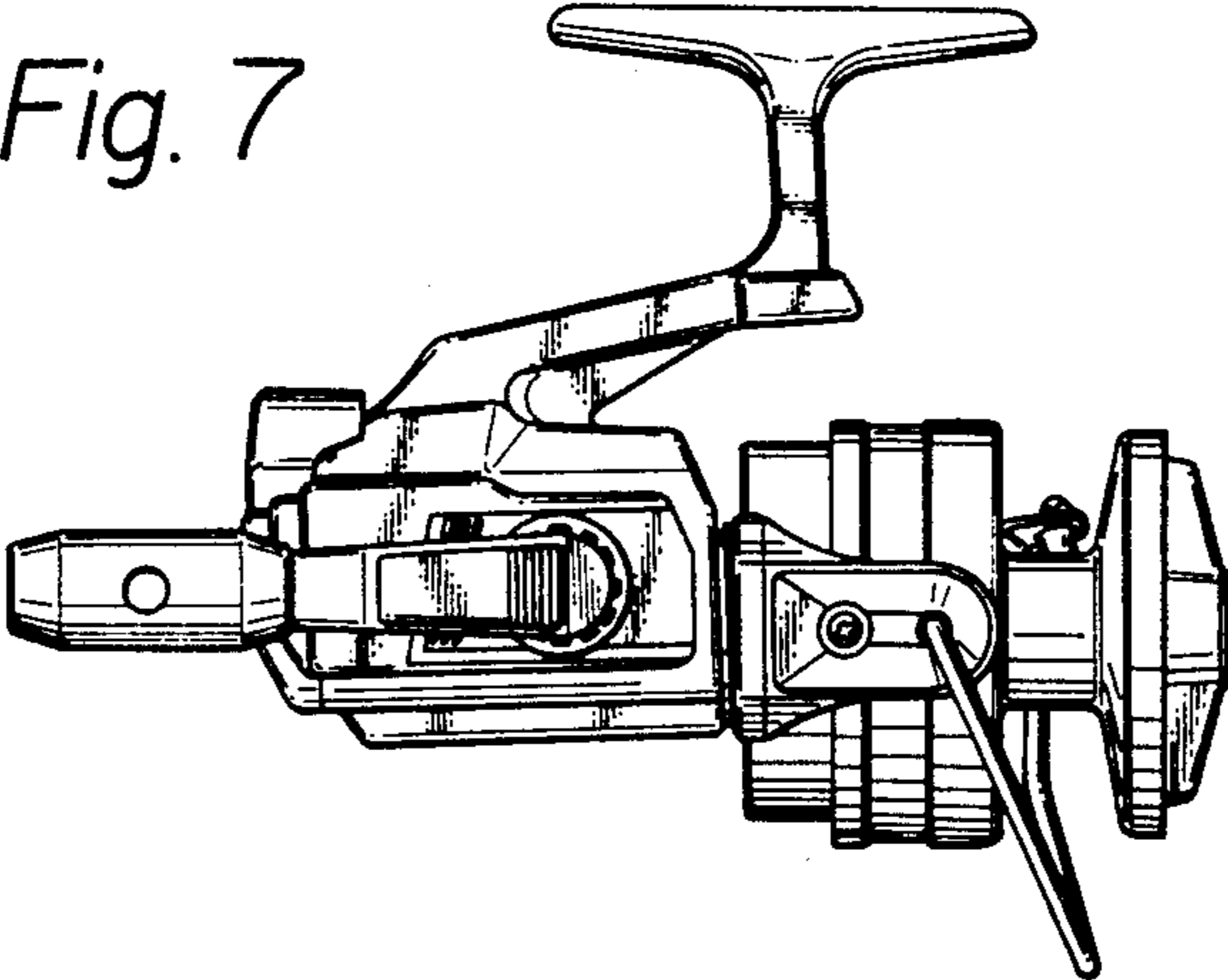


Fig. 8

