

[54] FISHING REEL

[75] Inventor: Francois Elie, Meudon, France

[73] Assignee: Mason, Fenwick & Lawrence, Washington, D.C.

[**] Term: 14 Years

[21] Appl. No.: 951,993

[22] Filed: Oct. 13, 1978

[30] Foreign Application Priority Data

Apr. 17, 1978 [FR] France 78 282

[51] Int. Cl. D22-05

[52] U.S. Cl. D22/25

[58] Field of Search D22/25; 242/84.1, 84.21, 242/84.2; 43/23

[56] References Cited

U.S. PATENT DOCUMENTS

- D. 230,590 3/1974 Koenecke et al. D22/25
- D. 245,784 9/1977 Okada D22/25
- D. 253,837 1/1980 Hiraishi et al. D22/25

Primary Examiner—A. Hugo Word

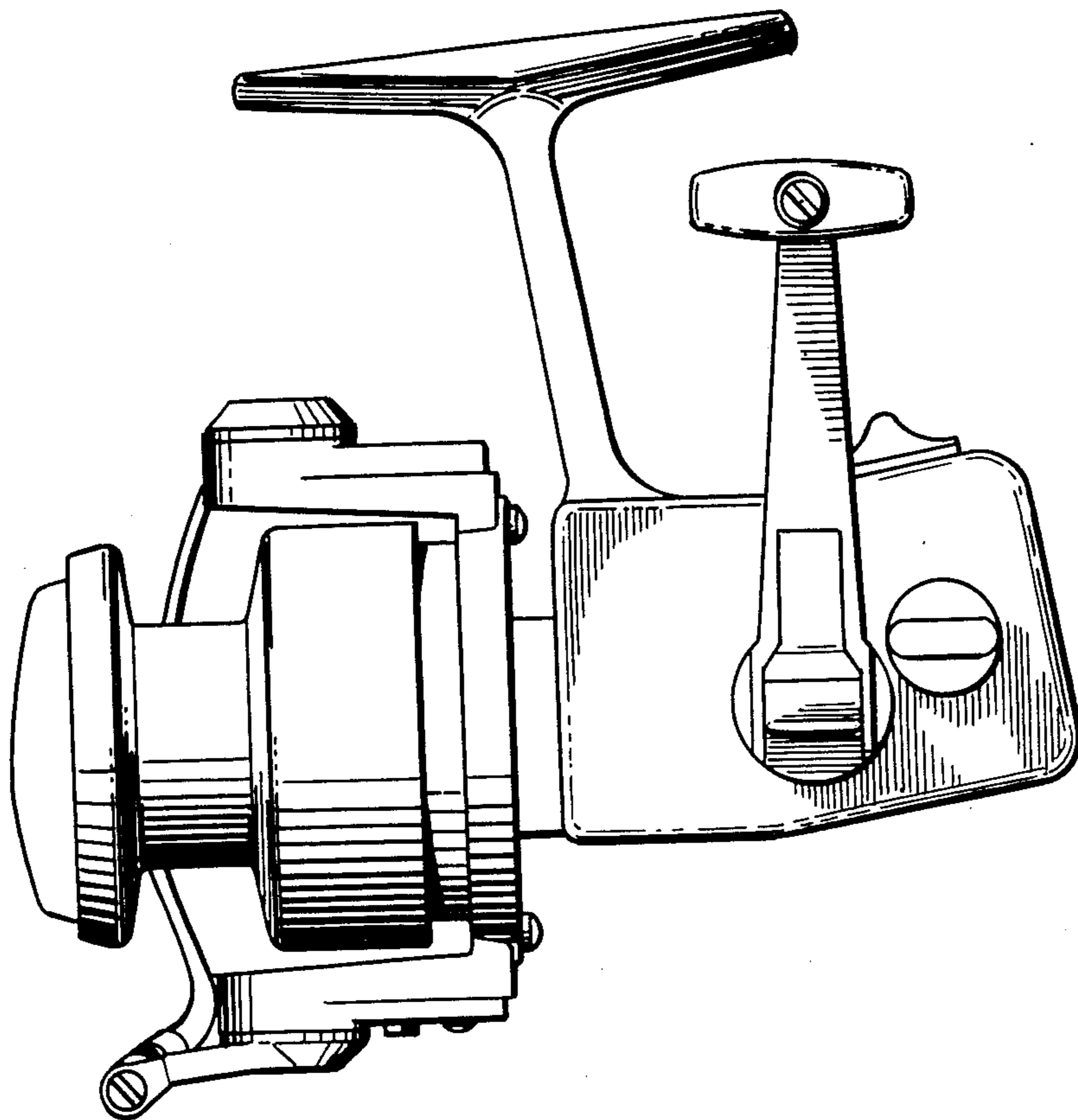
Attorney, Agent, or Firm—Thomas B. Van Poole

[57] CLAIM

The ornamental design for a fishing reel, as shown.

DESCRIPTION

FIG. 1 is a side elevation view of my design for fishing reel;
 FIG. 2 is a top plan view;
 FIG. 3 is a bottom plan view;
 FIG. 4 is a side elevational view from the right side of FIG. 1;
 FIG. 5 is a side elevational view from the left side of FIG. 1; and
 FIG. 6 is a rear elevation view.



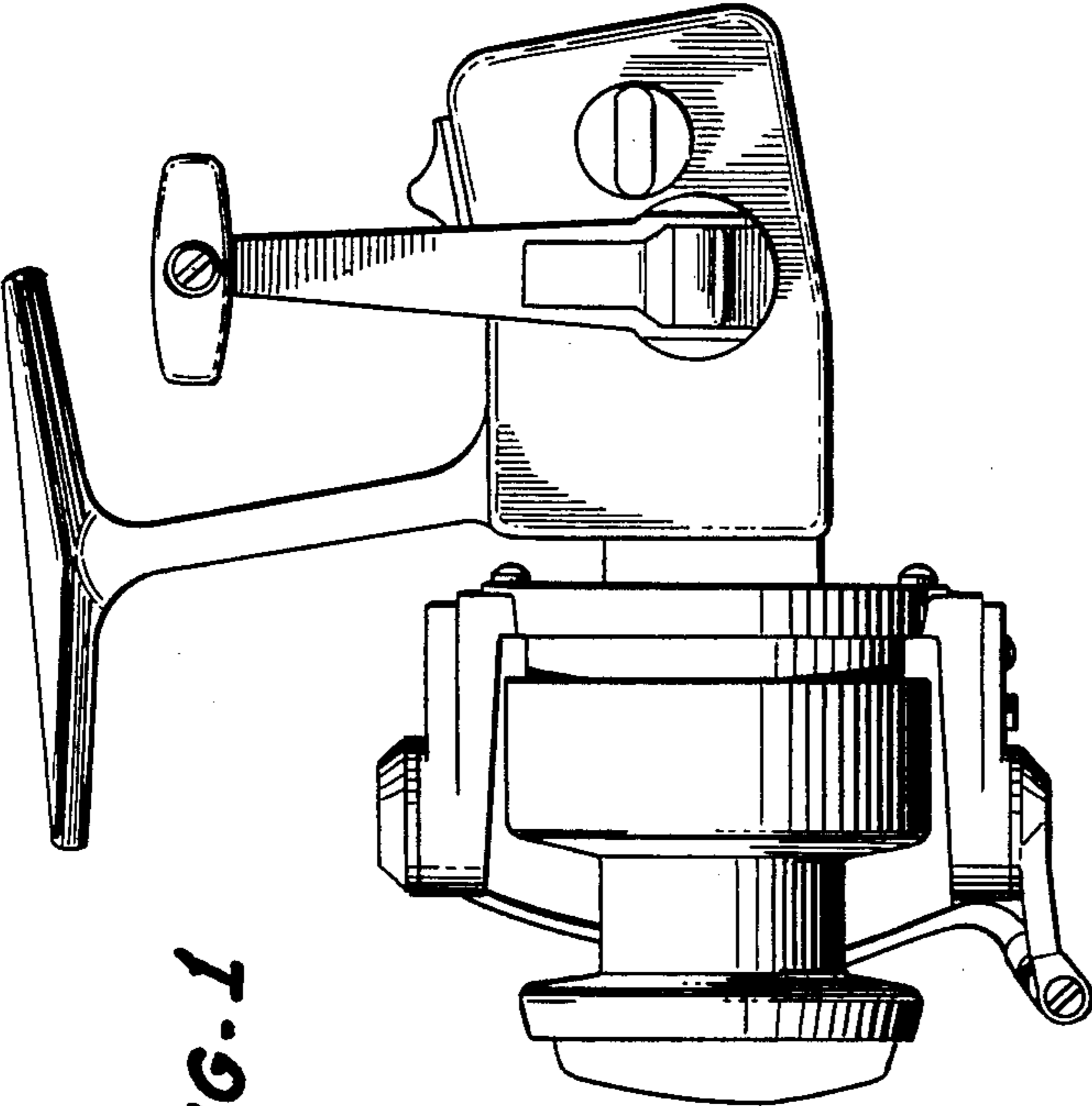


FIG-1

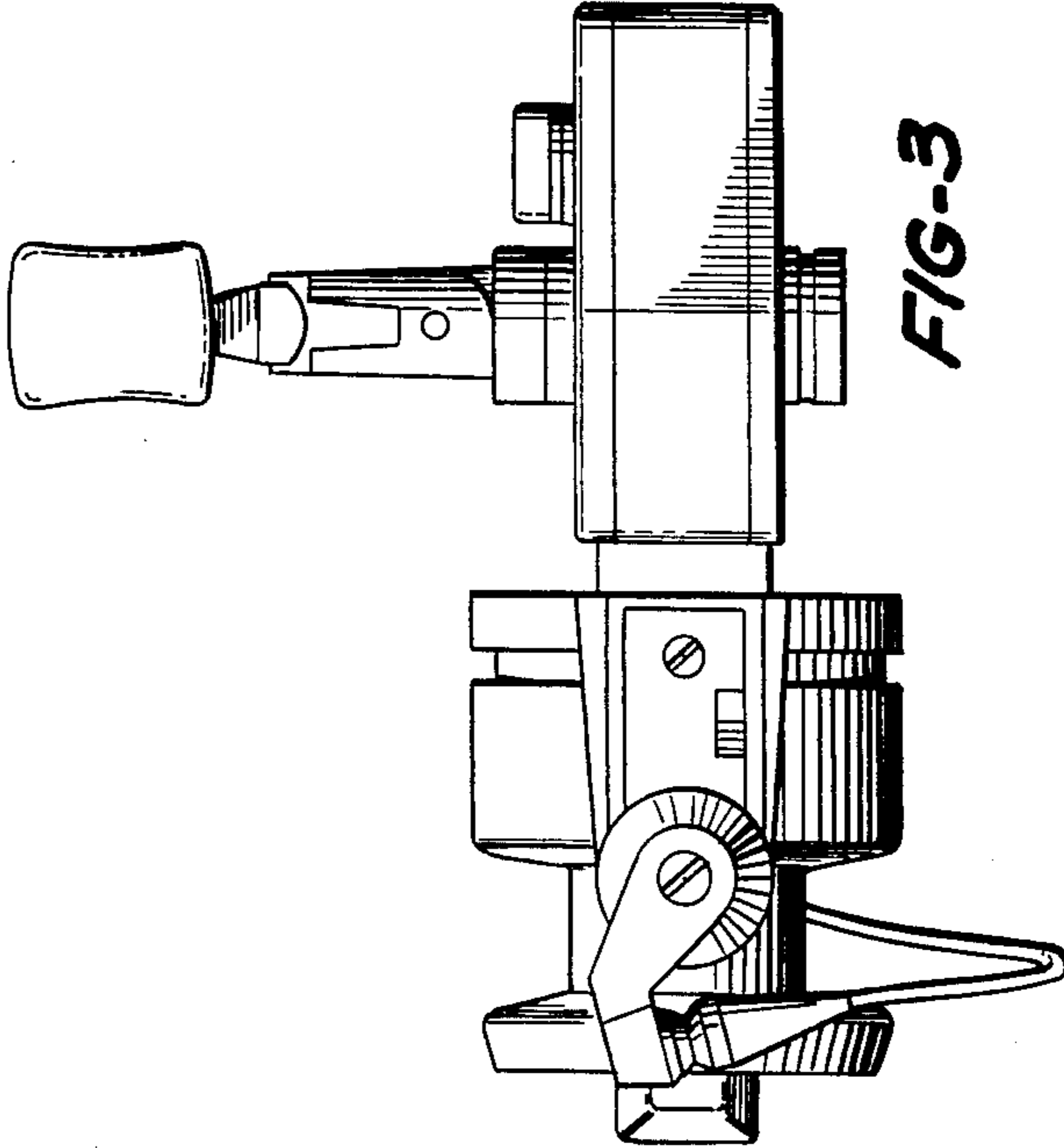


FIG-3

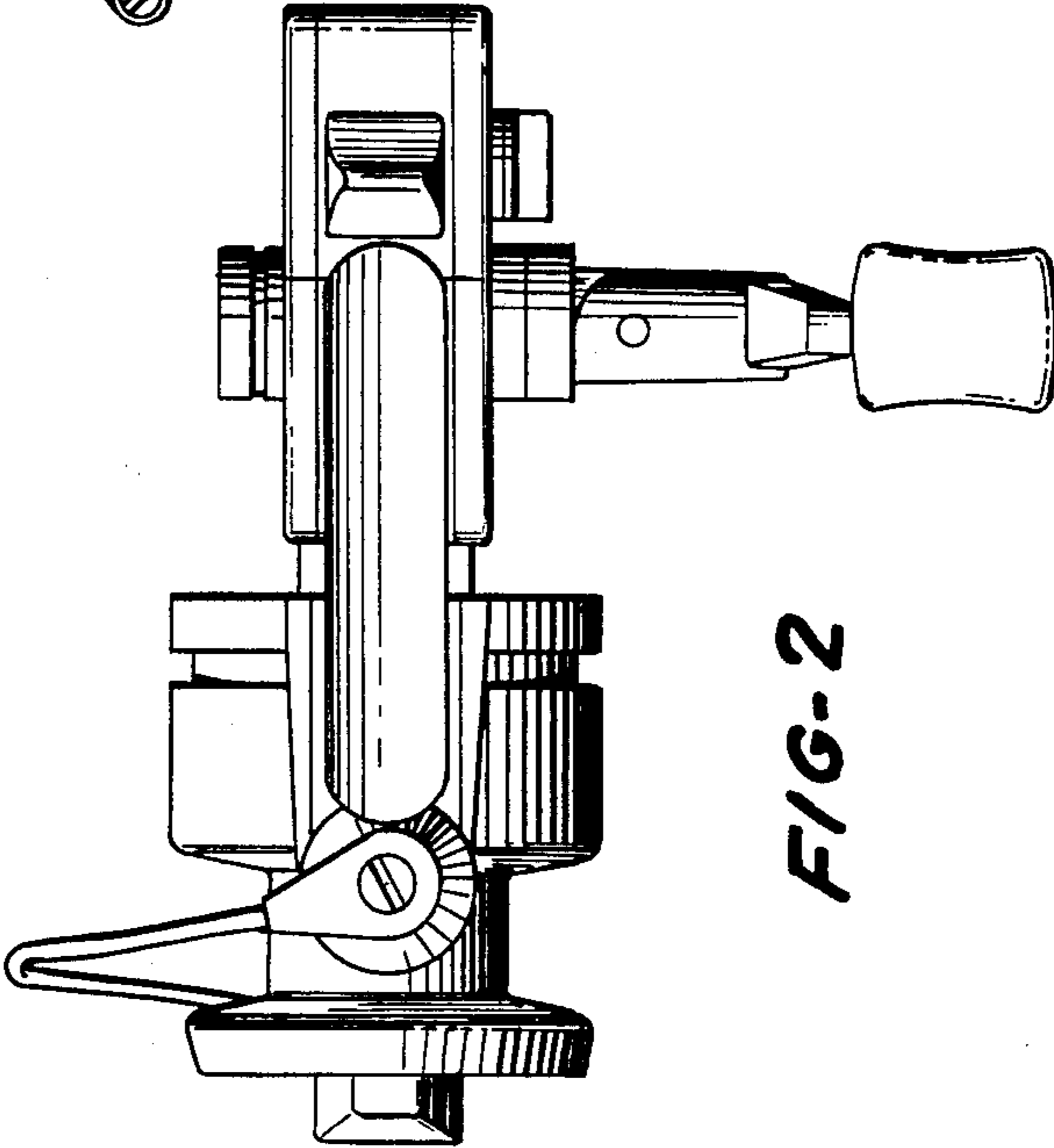
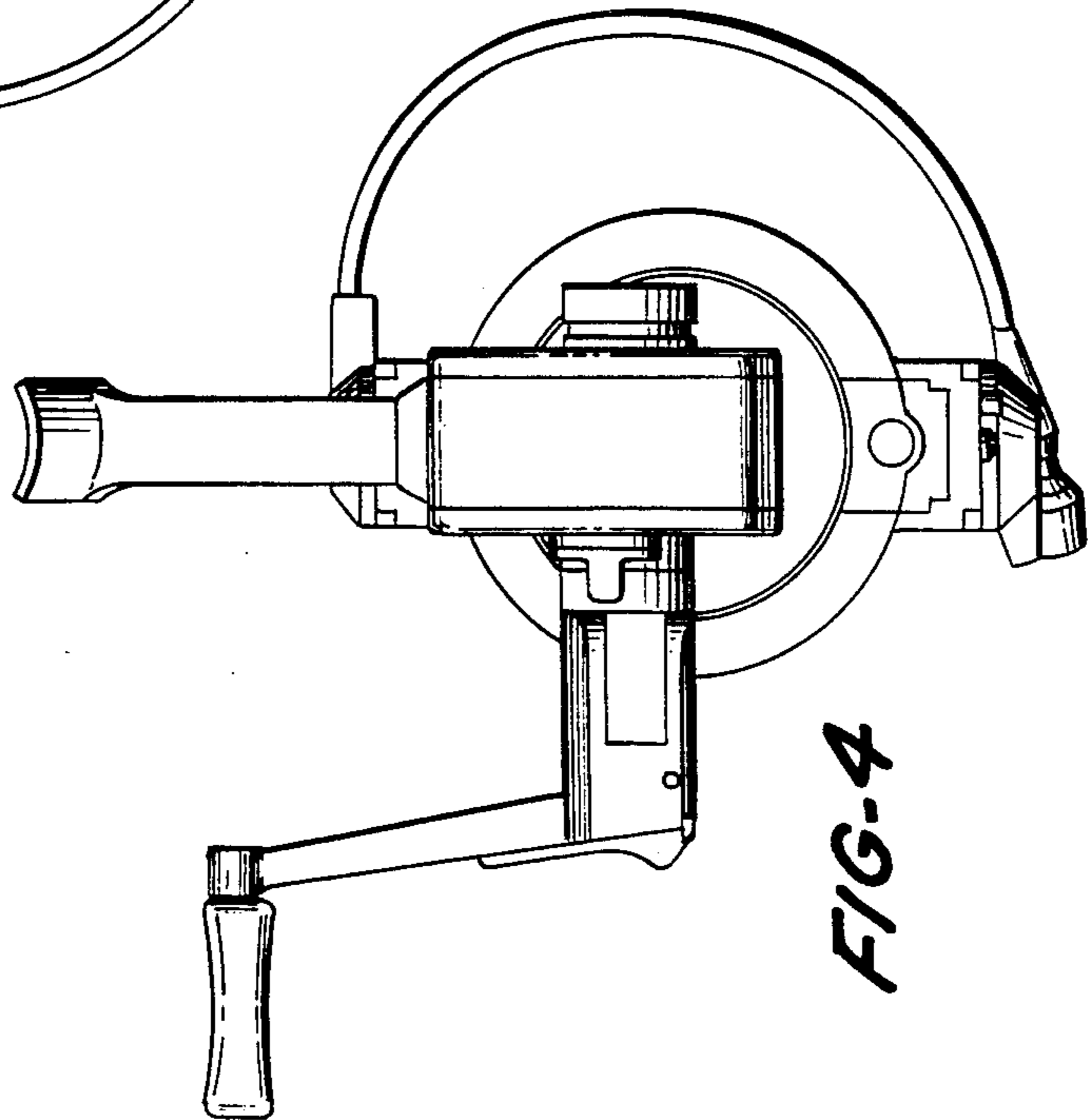
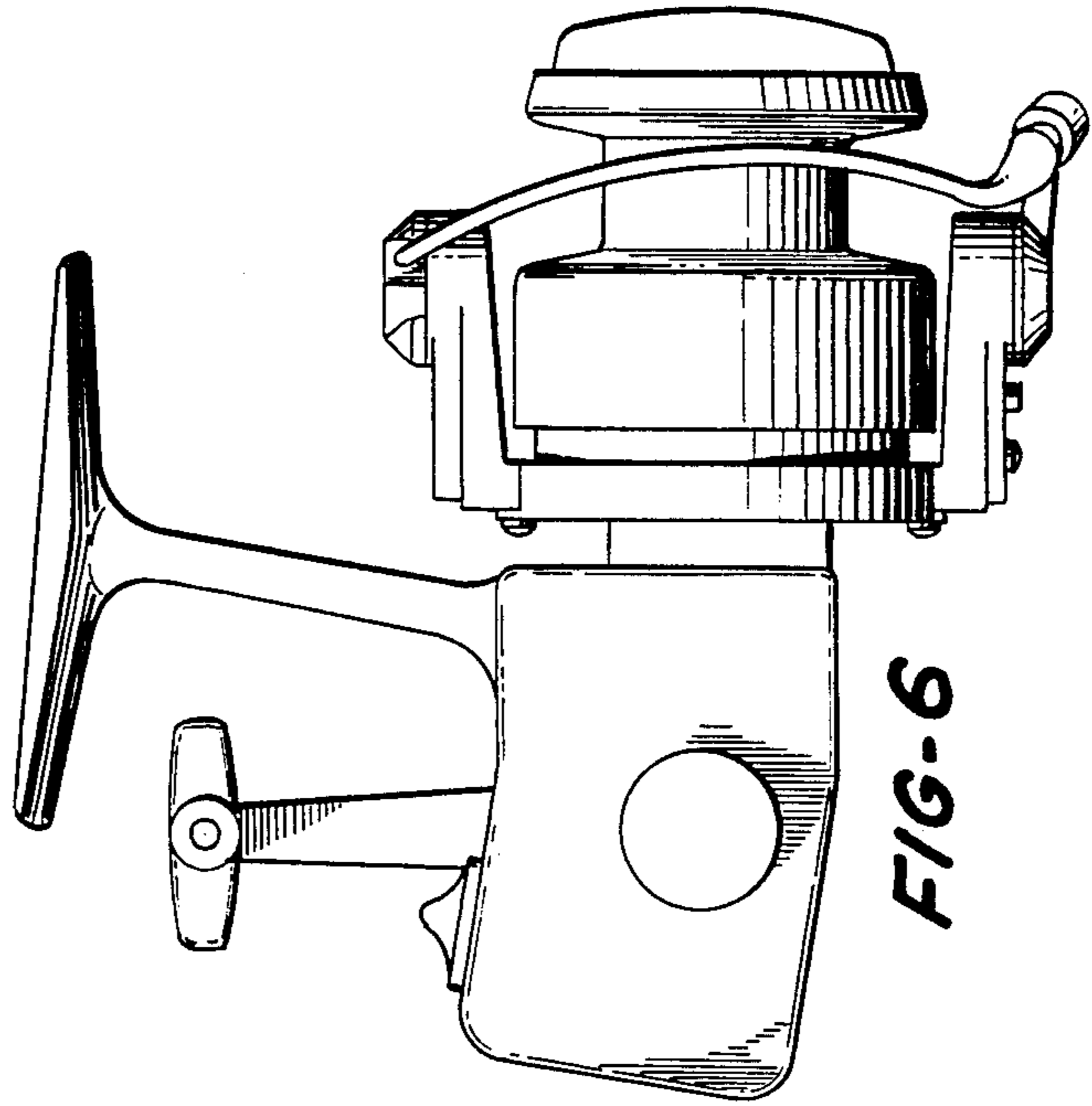
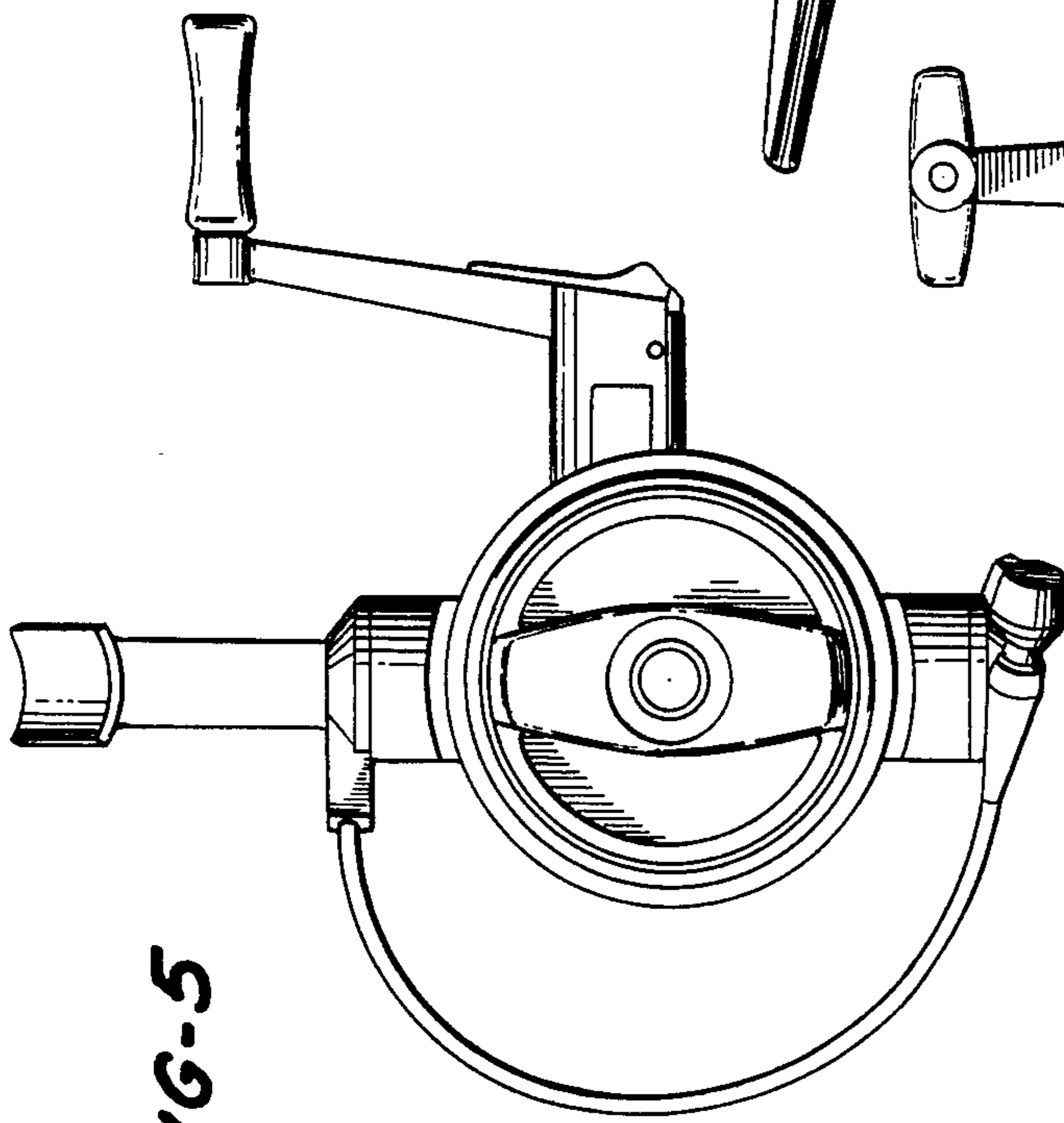


FIG-2



UNITED STATES PATENT AND TRADEMARK OFFICE
CERTIFICATE OF CORRECTION

PATENT NO. : Design 257,169
DATED : September 30, 1980
INVENTOR(S) : Francois Elie

It is certified that error appears in the above-identified patent and that said Letters Patent are hereby corrected as shown below:

Strike the presently designated Assignee and insert in place thereof -- MITCHELL S.A., Thyez (Haute-Savoie,) France --

Signed and Sealed this

Third Day of March 1981

[SEAL]

Attest:

Attesting Officer

RENE D. TEGTMEYER

Acting Commissioner of Patents and Trademarks