

[54] FISHING REEL

[75] Inventor: Kiyoshi Okada, Koganei, Japan

[73] Assignee: Daiwa Seiko Kabushiki Kaisha, Japan

[**] Term: 14 Years

[21] Appl. No.: 947,962

[22] Filed: Oct. 2, 1978

[30] Foreign Application Priority Data

Apr. 6, 1978 [JP] Japan 53-13537

[51] Int. Cl. D22-05

[52] U.S. Cl. D22/25

[58] Field of Search D22/25; 242/84.1, 84.21, 242/84.2; 43/23

[56]

References Cited

U.S. PATENT DOCUMENTS

D. 216,193	12/1969	Bittaker	D22/25
D. 235,258	6/1975	Sugimoto	D22/25
D. 247,247	2/1978	Okada	D22/25

Primary Examiner—A. Hugo Word

Attorney, Agent, or Firm—C. Bruce Hamburg

[57]

CLAIM

The ornamental design for a fishing reel, substantially as shown.

DESCRIPTION

FIG. 1 is an isometric view of a fishing reel incorporating my new design.

FIG. 2 is a front elevational view of said fishing reel.

FIG. 3 is a rear elevation view of said fishing reel.

FIG. 4 is a right side elevation of said fishing reel.

FIG. 5 is a left side elevation view of said fishing reel.

FIG. 6 is a top plan view of said fishing reel.

FIG. 7 is a bottom plan view of said fishing reel.

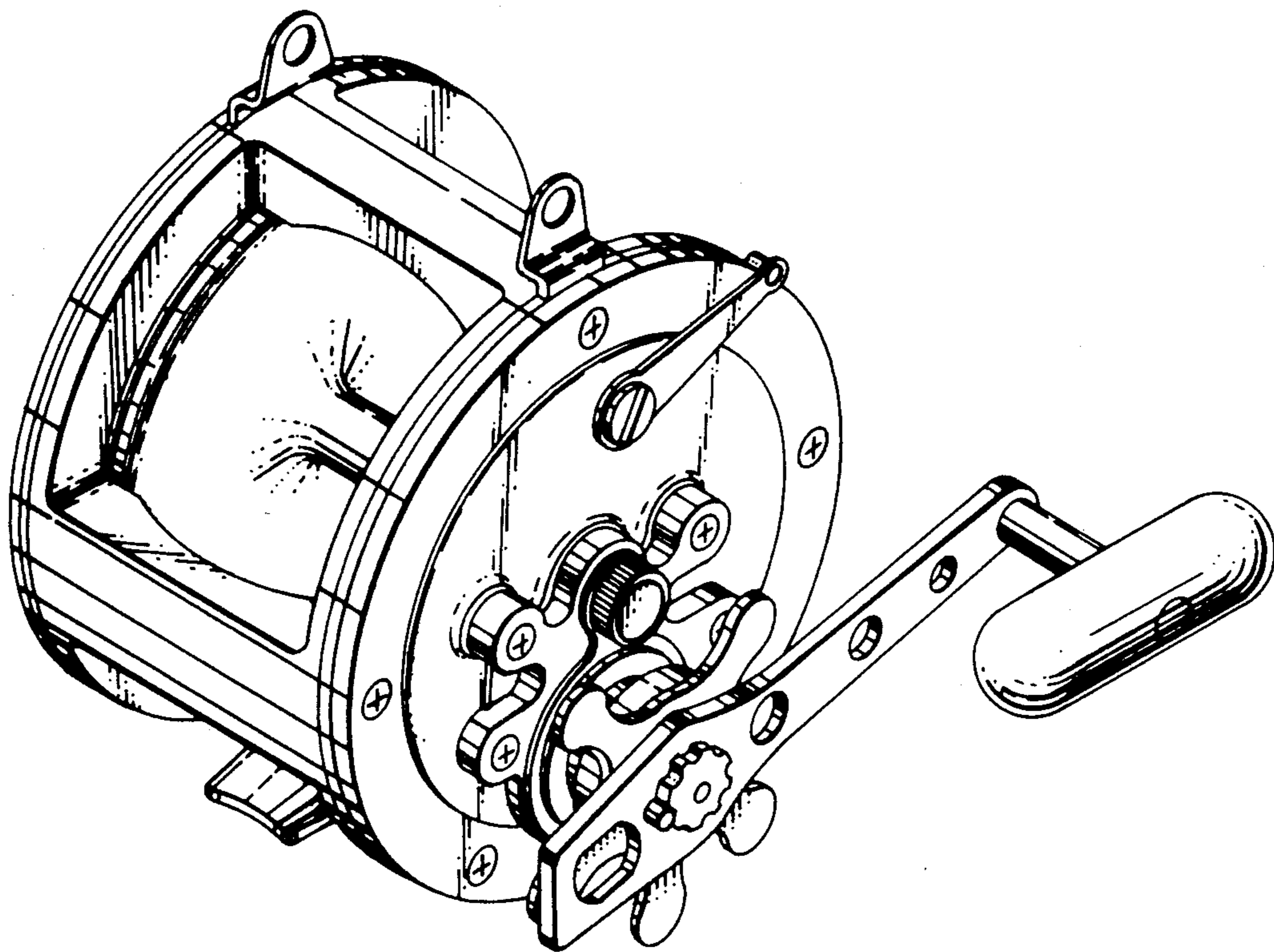


FIG. 1

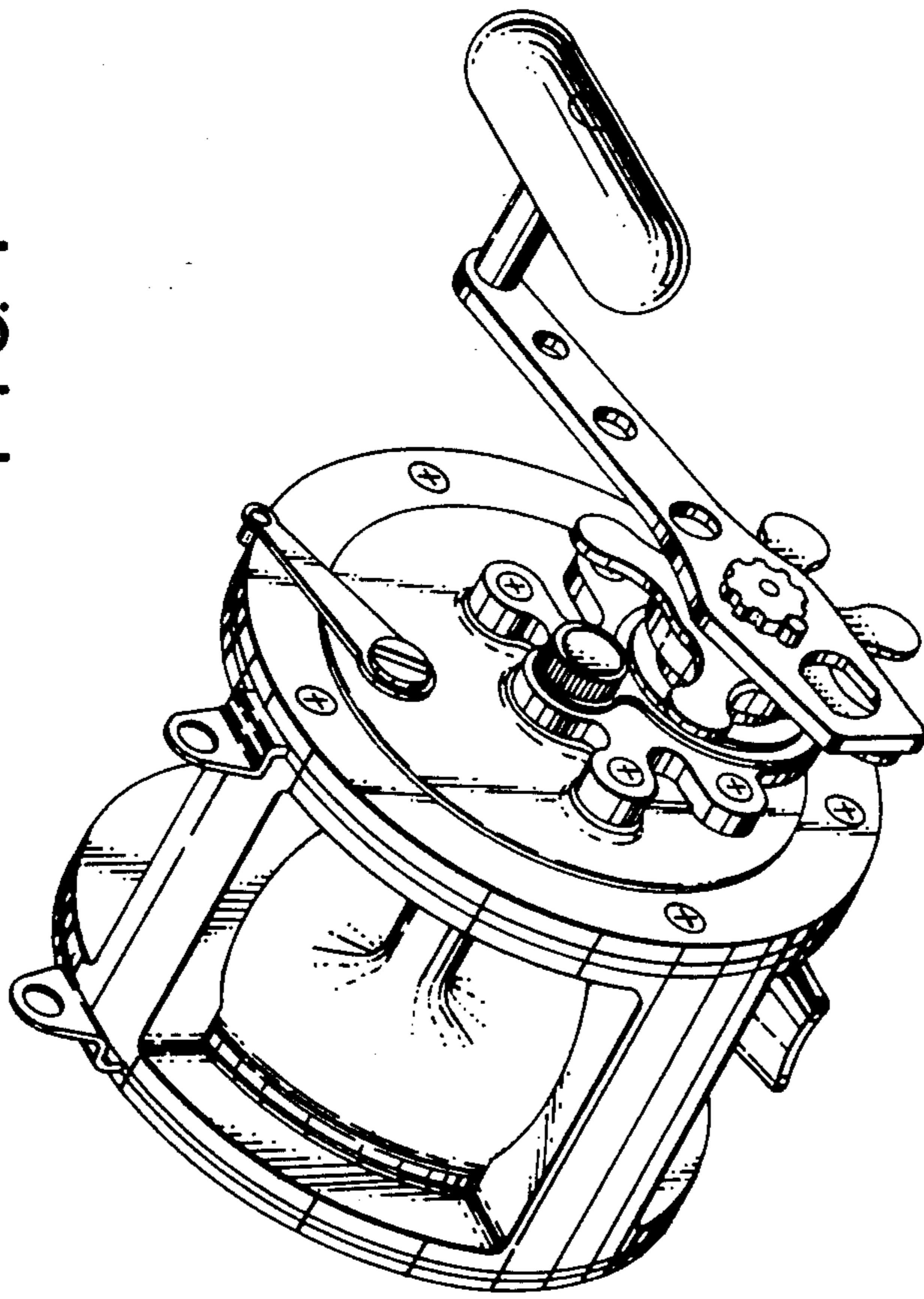


FIG. 2

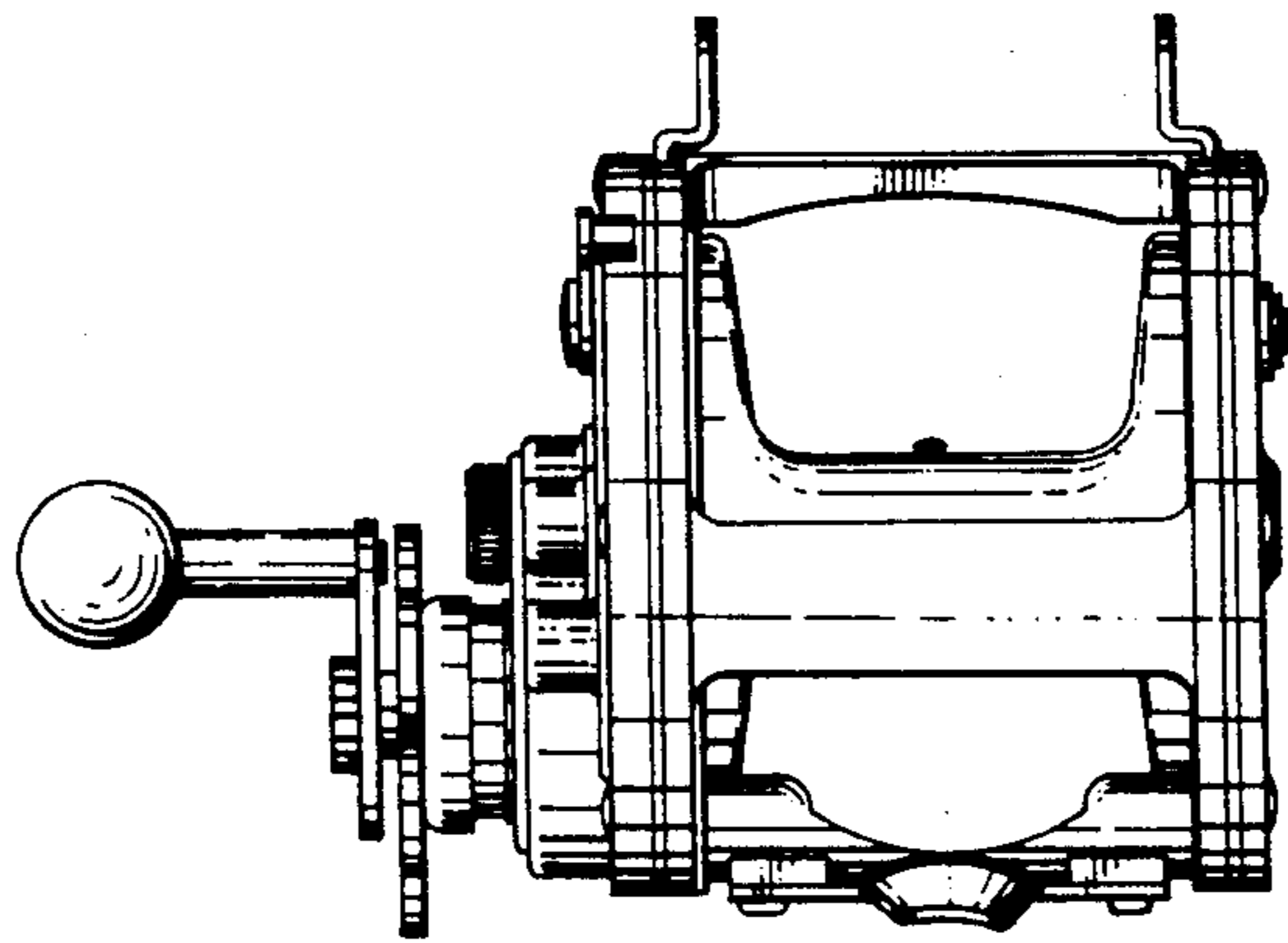
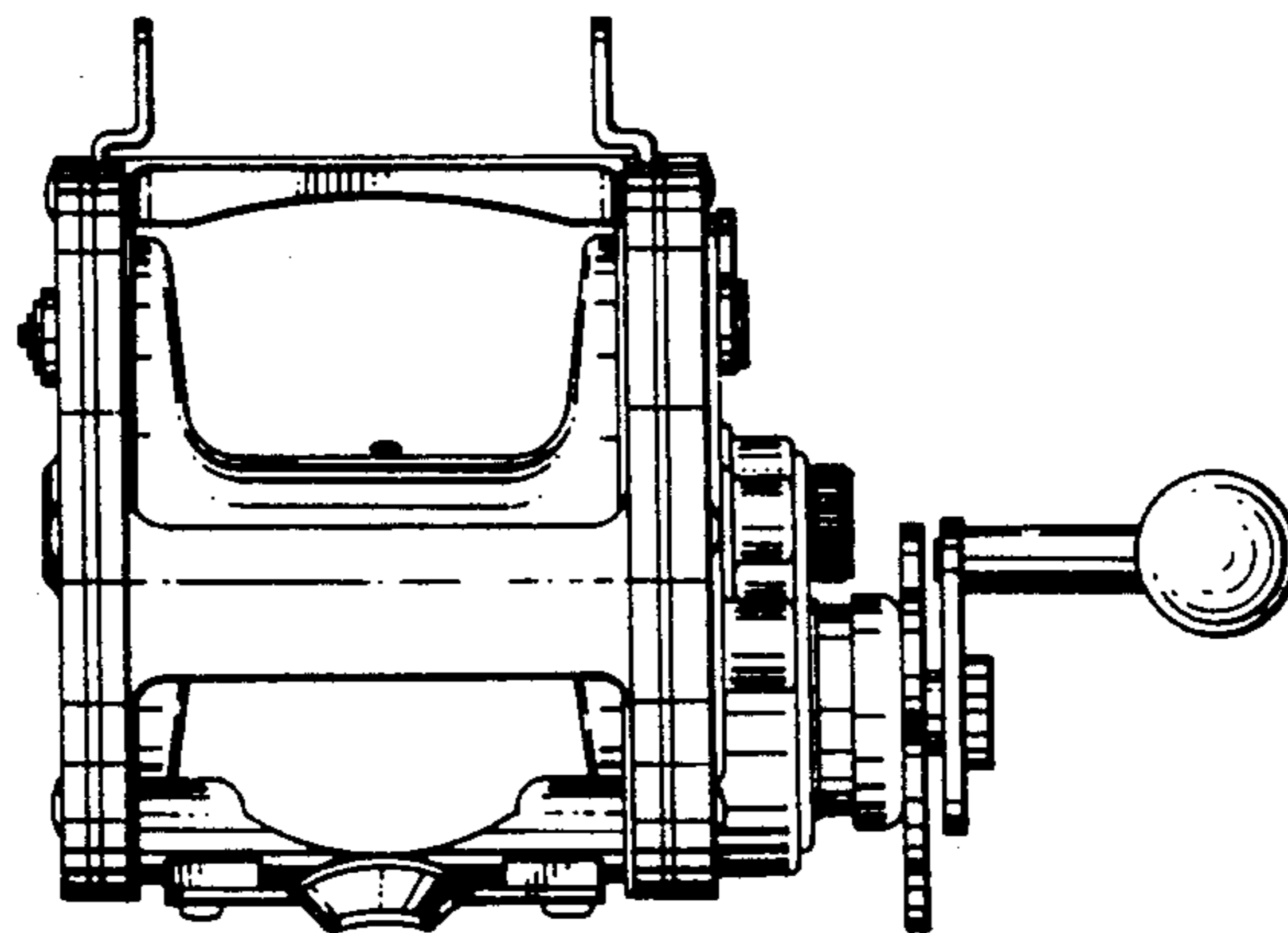


FIG. 3



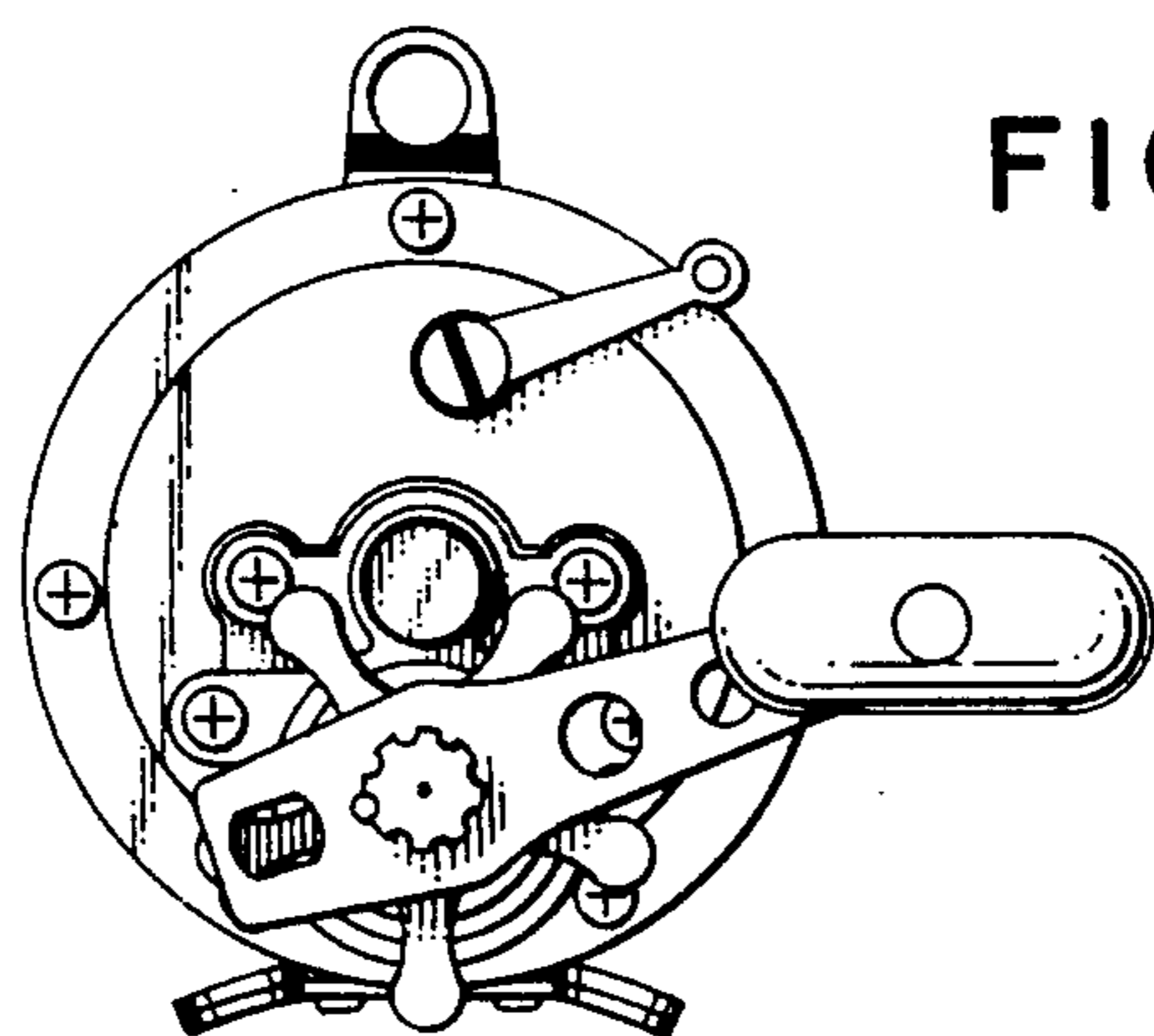


FIG. 4

FIG. 5

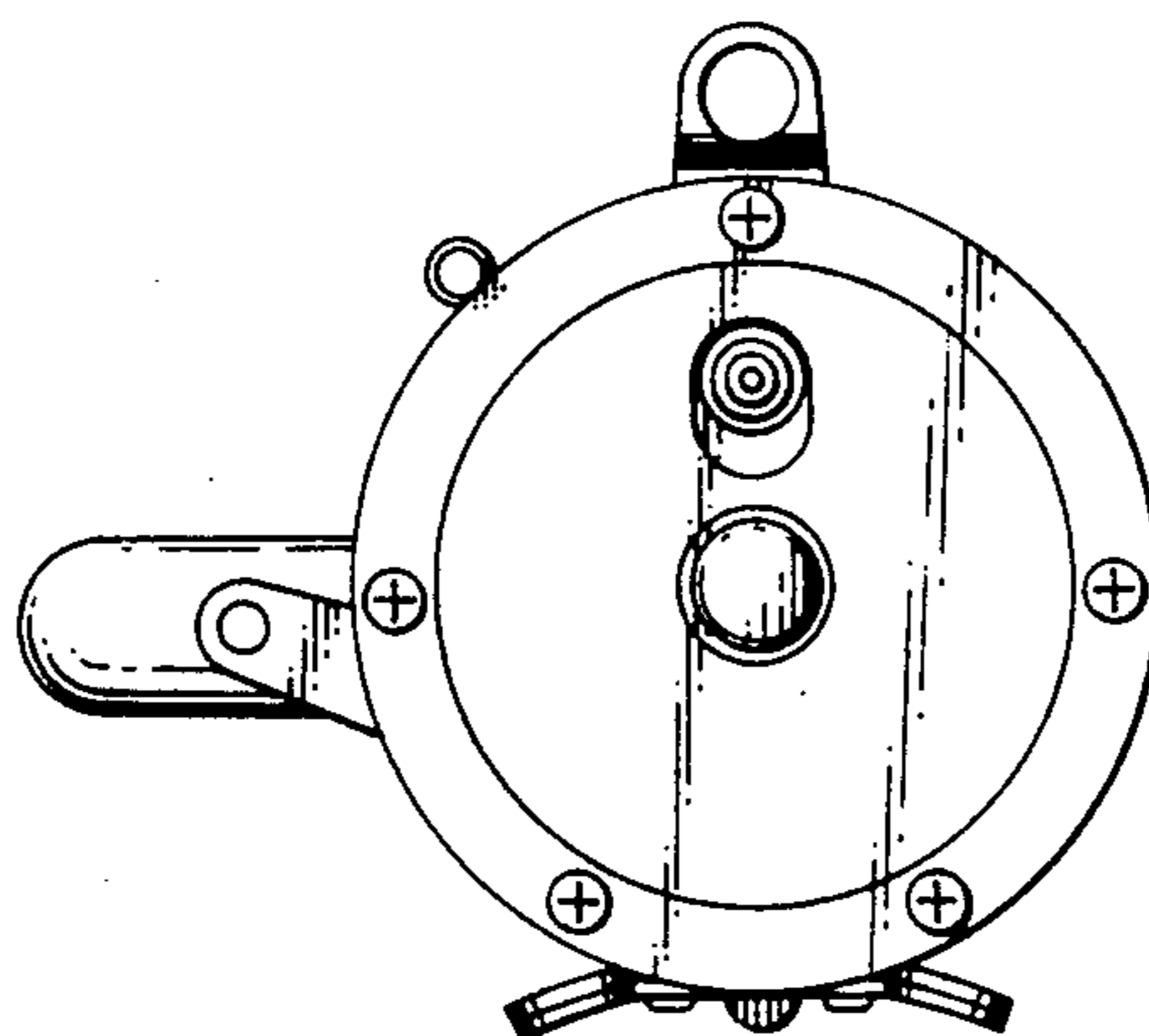


FIG. 6

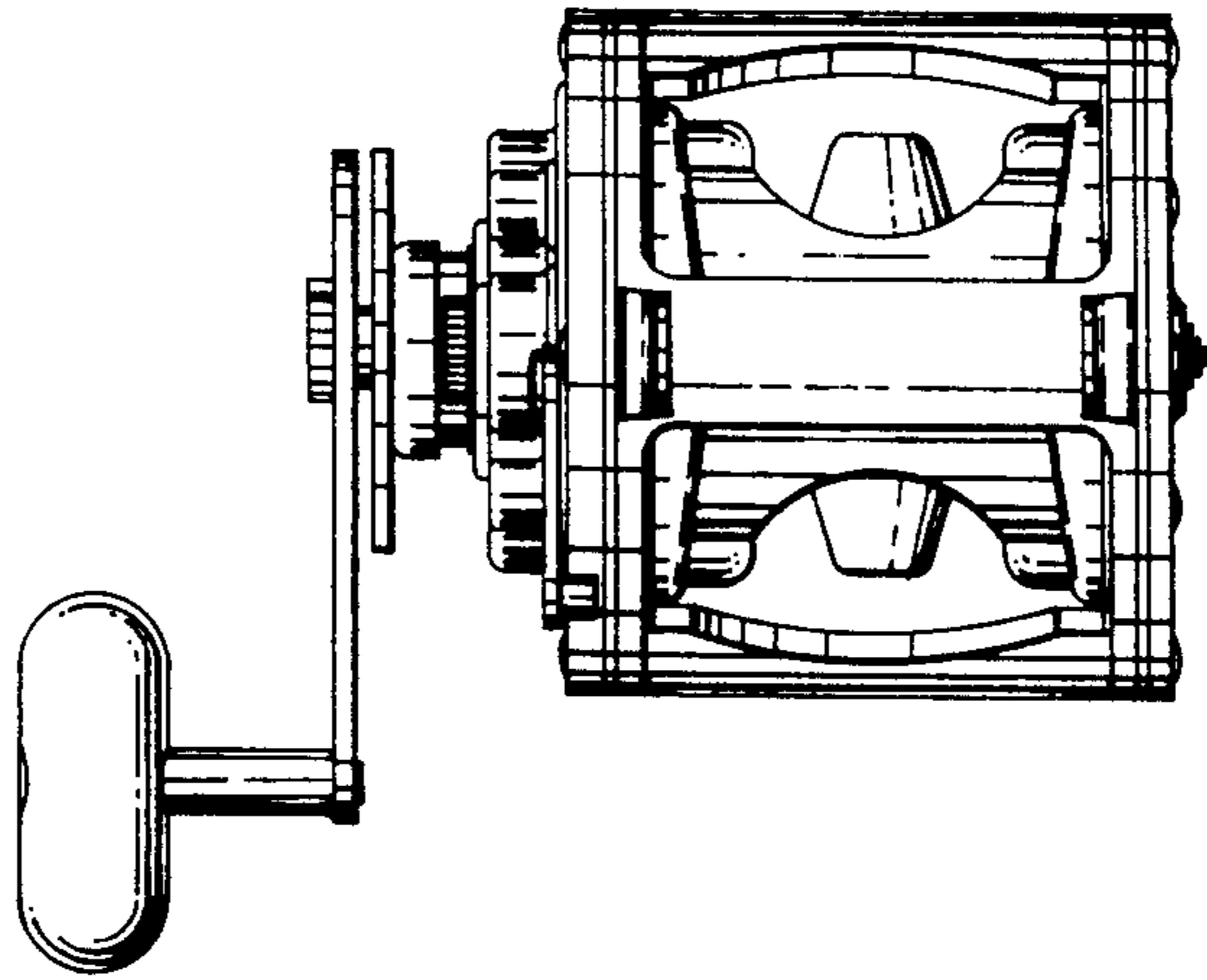


FIG. 7

