

[54] FISHING REEL

[75] Inventors: Takeshi Shohoji, Fukuyama; Kikuo Tsunoda, Hiroshima, both of Japan

[73] Assignee: Ryobi, Ltd., Fuchu, Japan

[\*\*] Term: 14 Years

[21] Appl. No.: 56,572

[22] Filed: Jul. 11, 1979

[30] Foreign Application Priority Data

Jan. 16, 1979 [JP] Japan ..... 54 1174

[51] Int. Cl. .... D22-05

[52] U.S. Cl. .... D22/25

[58] Field of Search ..... D22/25; 242/84.1, 84.21, 242/84.2; 43/23

[56] References Cited

U.S. PATENT DOCUMENTS

D. 208,910	10/1967	Mimeur .....	D22/25
D. 230,591	3/1974	Underwood .....	D22/25
D. 251,981	5/1979	Hiraishi et al. ....	D22/25
D. 253,837	1/1980	Hiraishi et al. ....	D22/25

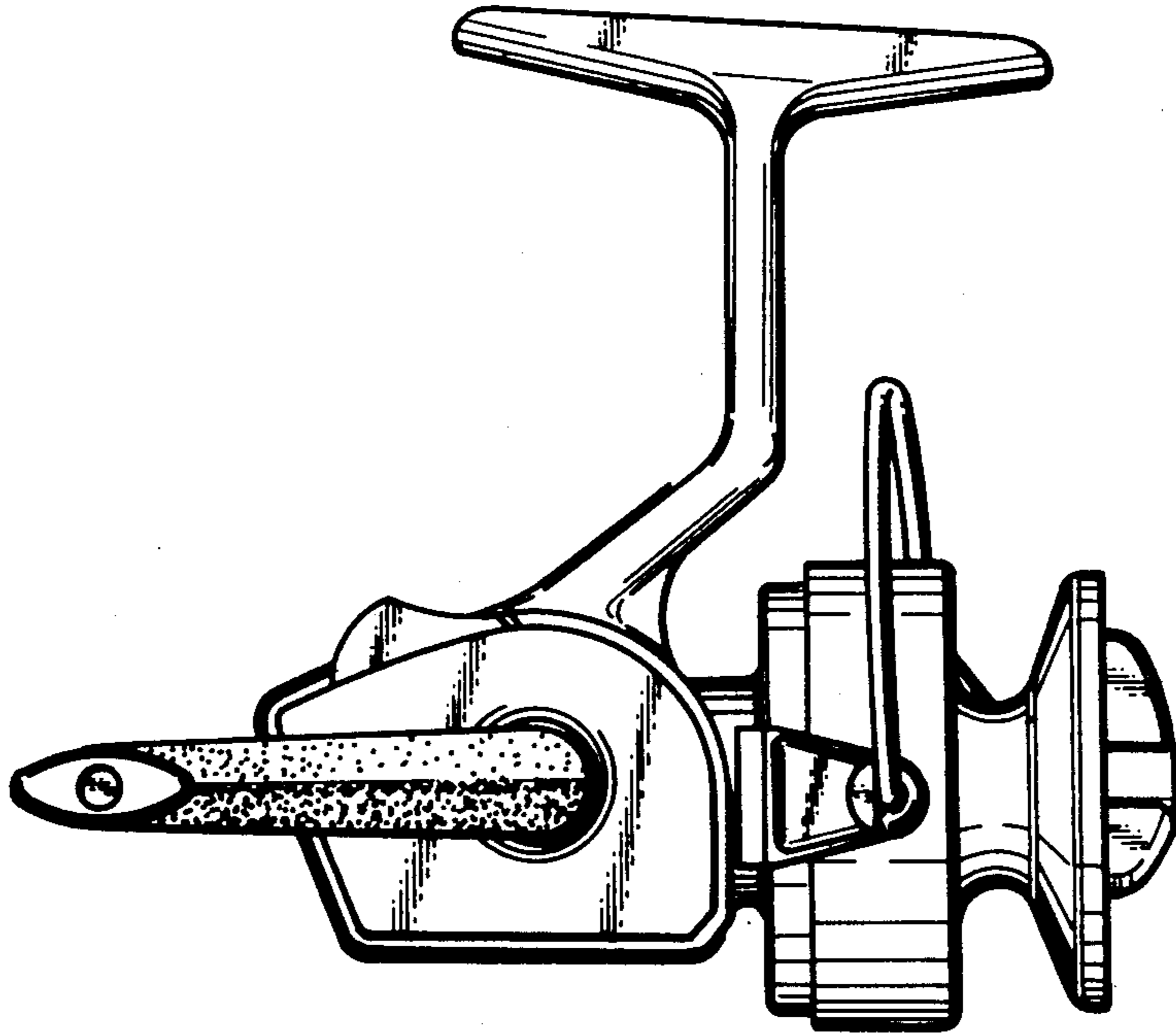
Primary Examiner—A. Hugo Word  
Attorney, Agent, or Firm—Sughrue, Rothwell, Mion, Zinn & Macpeak

[57] CLAIM

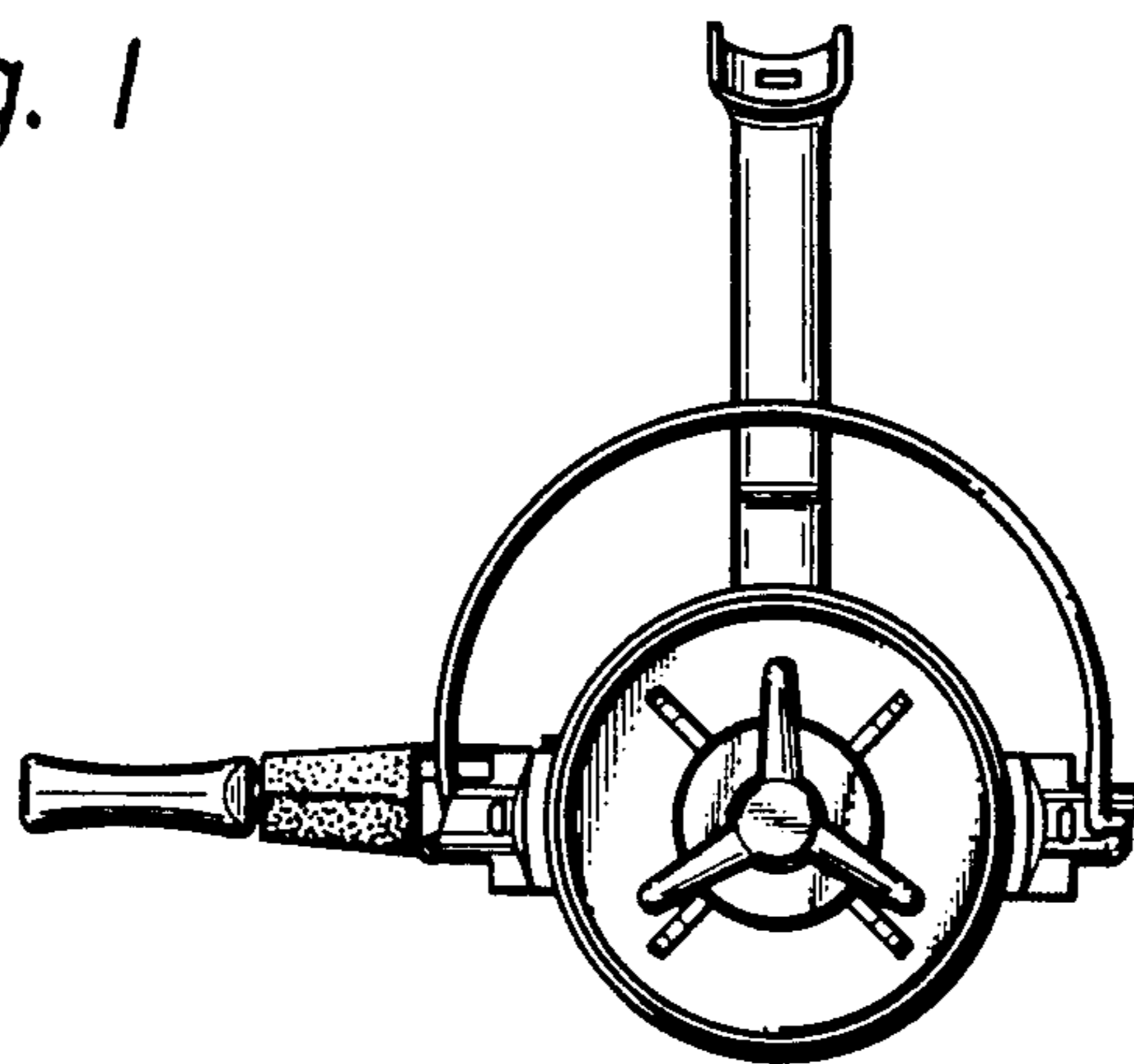
The ornamental design for a fishing reel, as shown.

DESCRIPTION

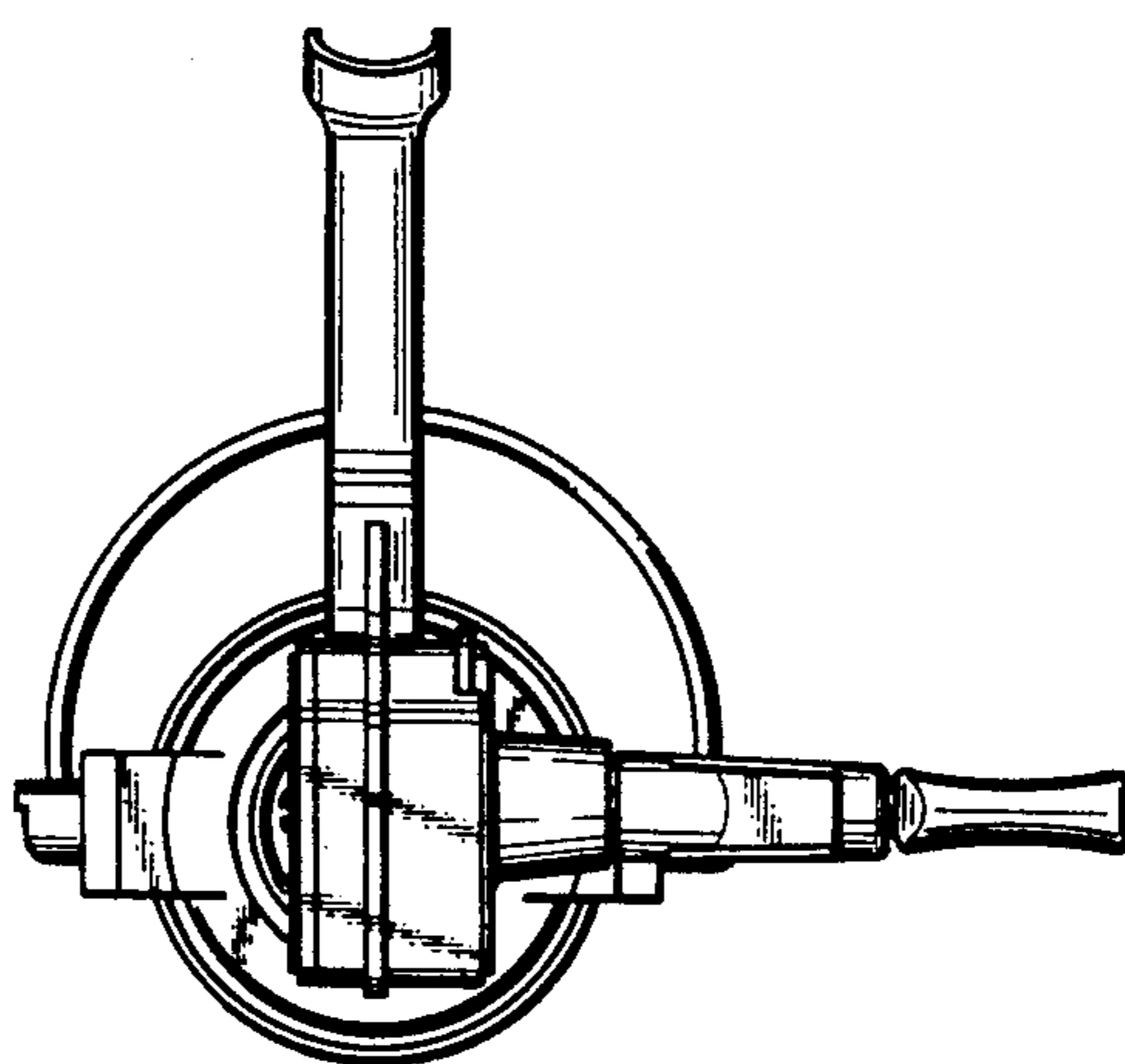
FIG. 1 is a front elevational view of a fishing reel showing our new design;  
FIG. 2 is a rear elevational view thereof;  
FIG. 3 is a top plan view thereof;  
FIG. 4 is a bottom plan view thereof;  
FIG. 5 is a left side elevational view thereof; and  
FIG. 6 is a right side elevational view thereof.



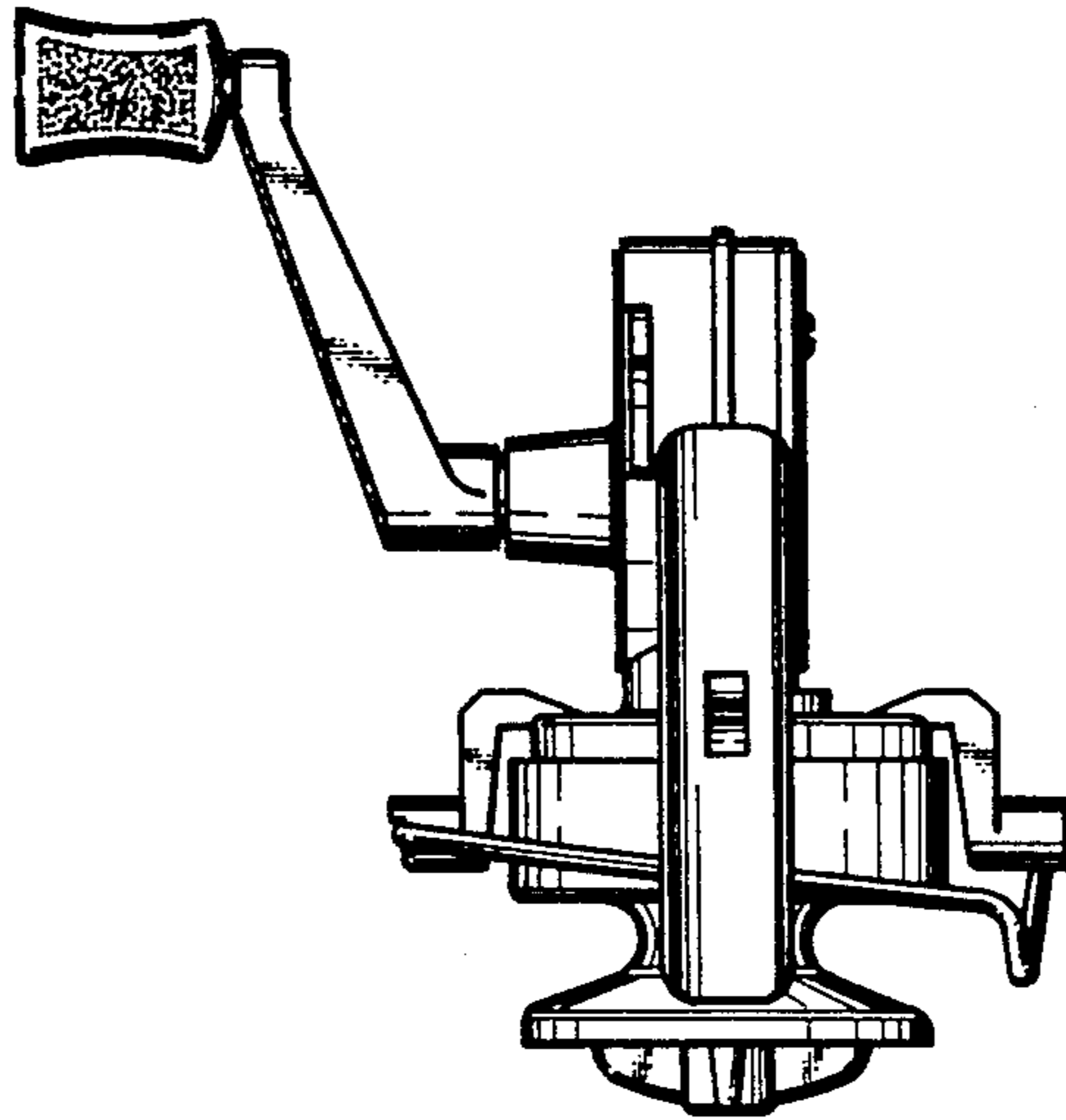
*Fig. 1*



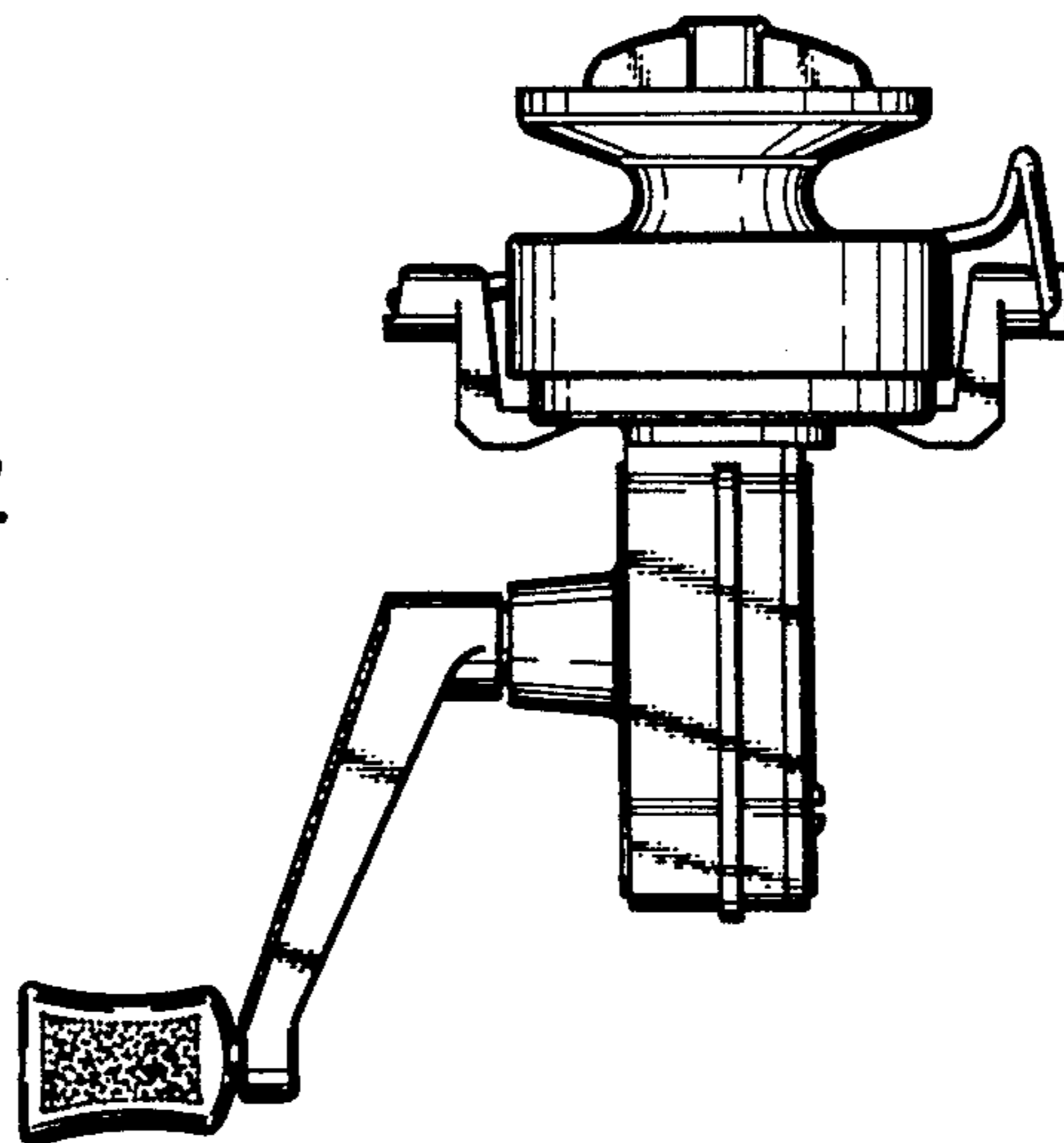
*Fig. 2*



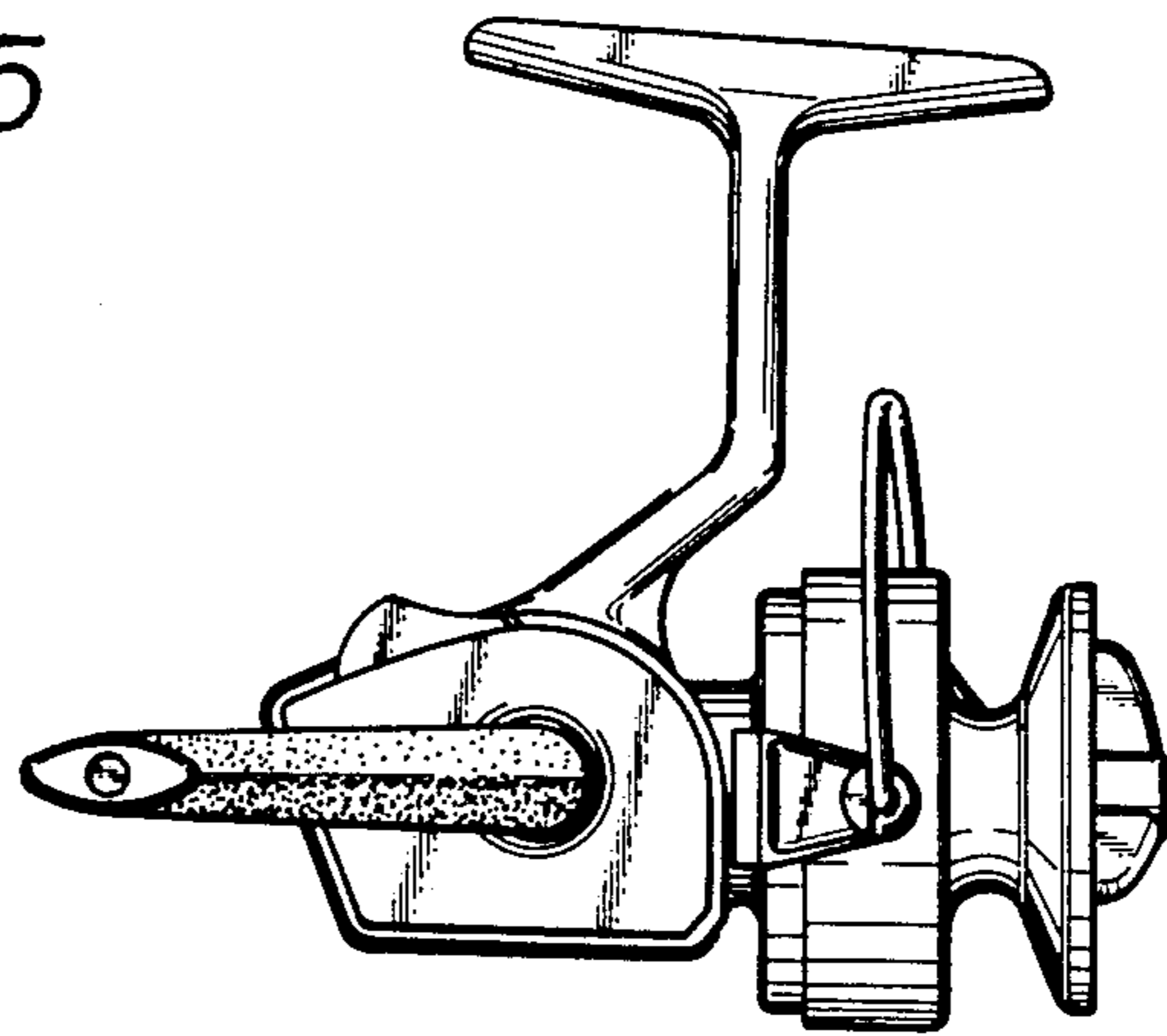
*Fig. 3*



*Fig. 4*



*Fig. 5*



*Fig. 6*

