

[54] OUTDOOR PLAY DEVICE

[76] Inventor: James D. Ezell, P.O. Box 10272, Raleigh, N.C. 27605

[**] Term: 14 Years

[21] Appl. No.: 939,379

[22] Filed: Sep. 5, 1978

[51] Int. Cl. D21-03
[52] U.S. Cl. D21/243
[58] Field of Search D21/243-246; 272/85, 113

[56] References Cited

U.S. PATENT DOCUMENTS

D. 160,320 10/1950 Horowitz D21/243
3,547,435 12/1970 Scott 273/113

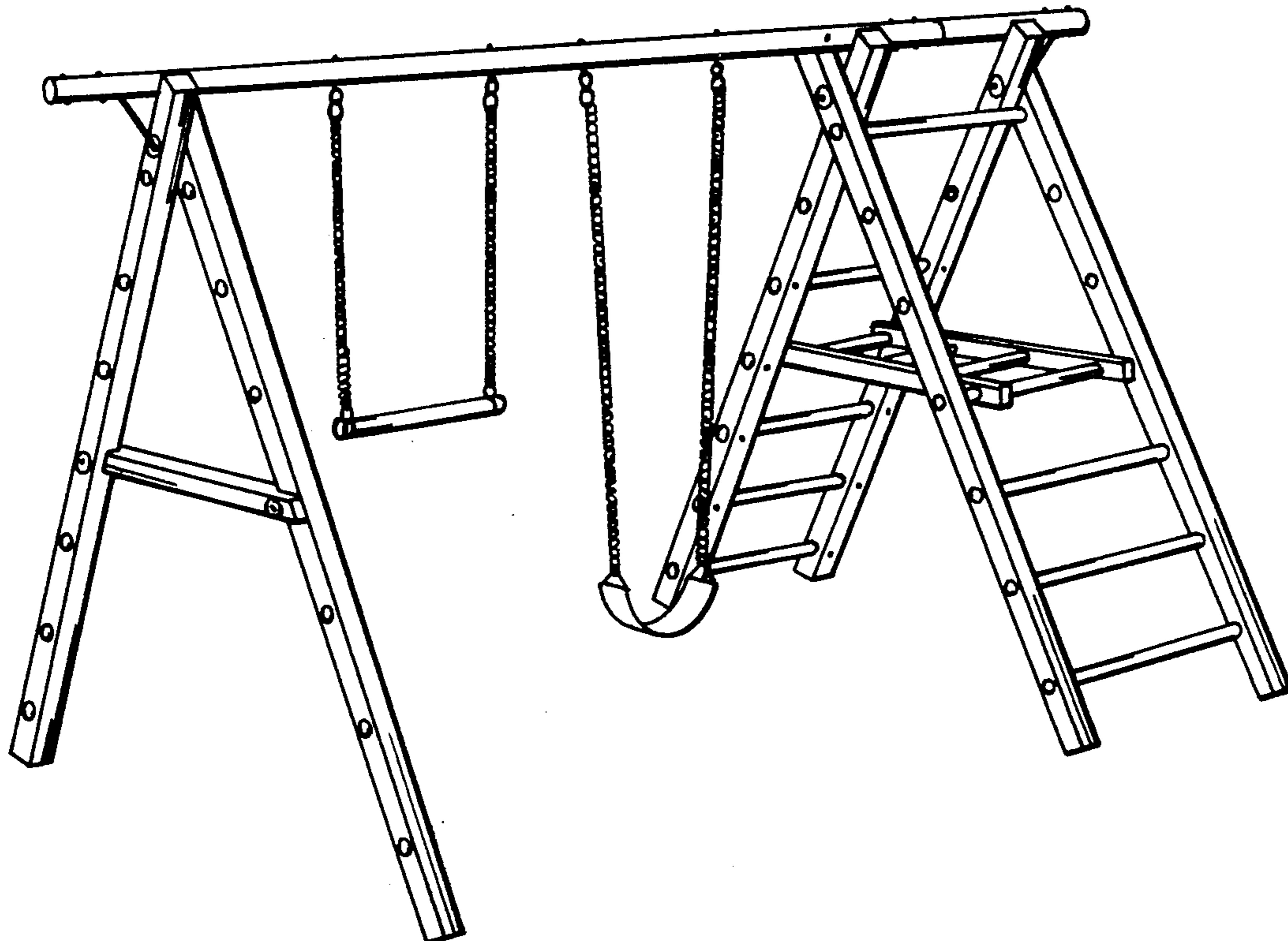
Primary Examiner—Melvin B. Feifer
Attorney, Agent, or Firm—John G. Mills, III

[57] CLAIM

The ornamental design for an outdoor play device, as shown.

DESCRIPTION

FIG. 1 is a front perspective view of the outdoor play device showing my new design.
FIG. 2 is a rear perspective view of the outdoor play device shown in FIG. 1.



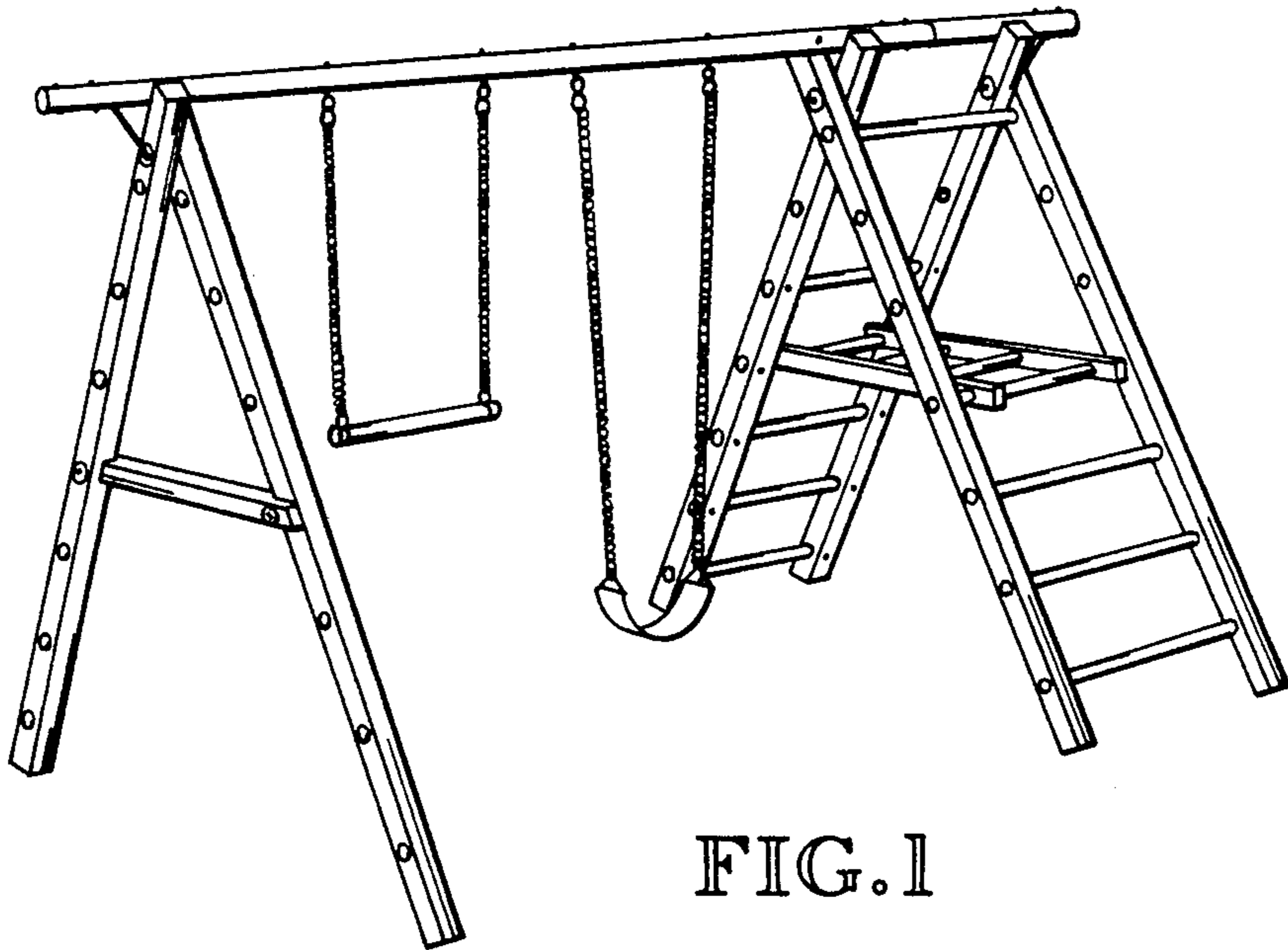


FIG. 1

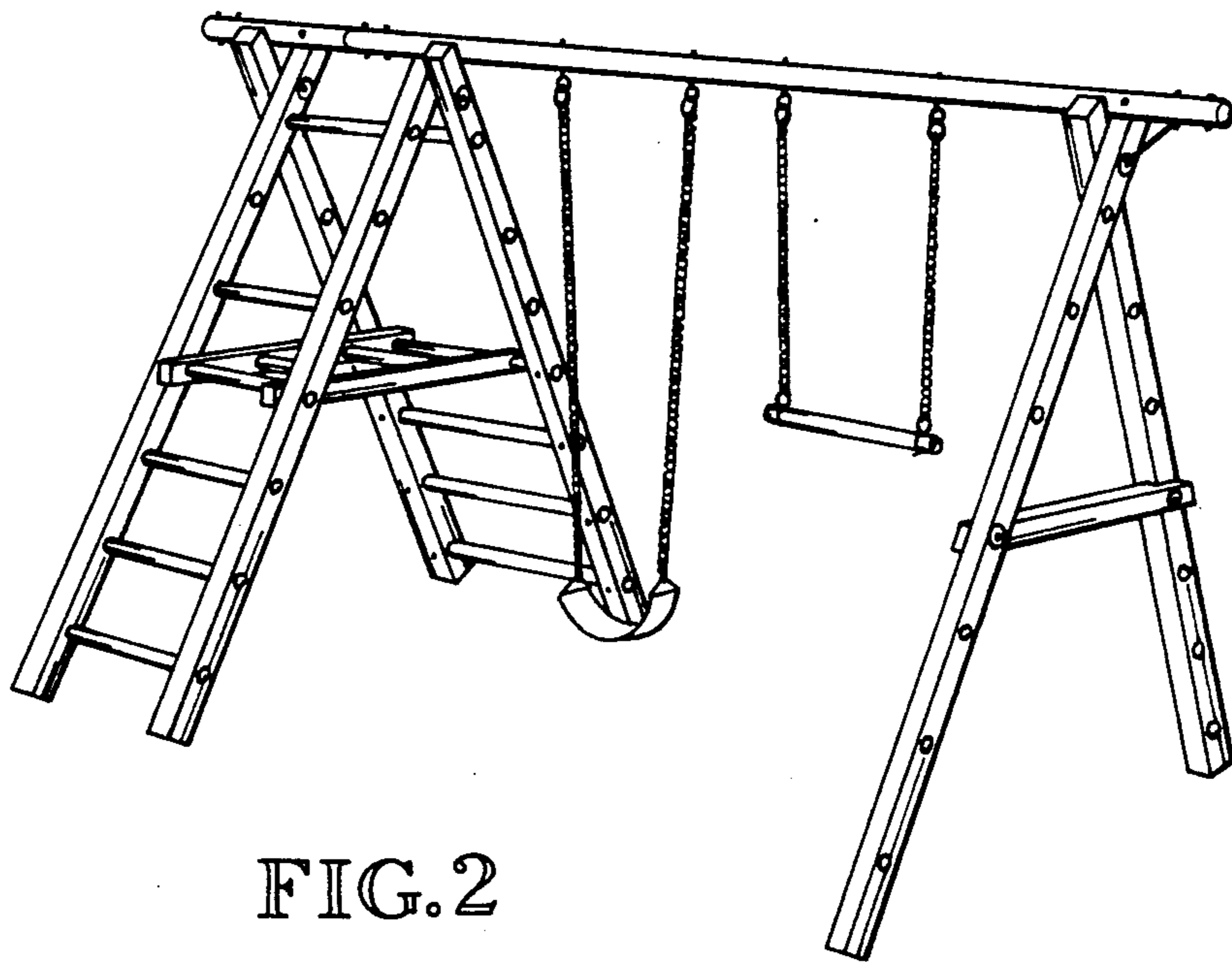


FIG. 2