

[54] PORTABLE CARD PLAYING TRAY

[76] Inventors: Dale J. Hubbard, 2732 Fairview Ct.;
Jon W. Jackson, 217 S. 10th, both of
Montesano, Wash. 98563

[**] Term: 14 Years

[21] Appl. No.: 972,416

[22] Filed: Dec. 22, 1978

[51] Int. Cl. D21-01

[52] U.S. Cl. D21/57; D10/46.1

[58] Field of Search D21/54, 57; 273/148 A;
D10/46.1

[56] References Cited

U.S. PATENT DOCUMENTS

- D. 161,815 2/1951 Beeman D21/54
- D. 215,222 9/1969 Nicholas D21/57
- D. 243,468 2/1977 Levey D21/57

D. 253,181 10/1979 Marbury D21/57

FOREIGN PATENT DOCUMENTS

536196 3/1955 Belgium 273/148 A

Primary Examiner—Melvin B. Feifer
Attorney, Agent, or Firm—Robert W. Beach

[57] CLAIM

The ornamental design for a portable card playing tray,
substantially as shown and described.

DESCRIPTION

FIG. 1 is a top perspective view of a portable card playing tray showing my new design.
 FIG. 2 is a rear elevation view thereof.
 FIG. 3 is a front elevation view thereof.
 FIG. 4 is a top plan view thereof.
 FIG. 5 is a bottom perspective view thereof.
 FIG. 6 is a left side elevation view thereof.
 FIG. 7 is a right side elevation view thereof.
 FIG. 8 is a bottom plan view thereof.

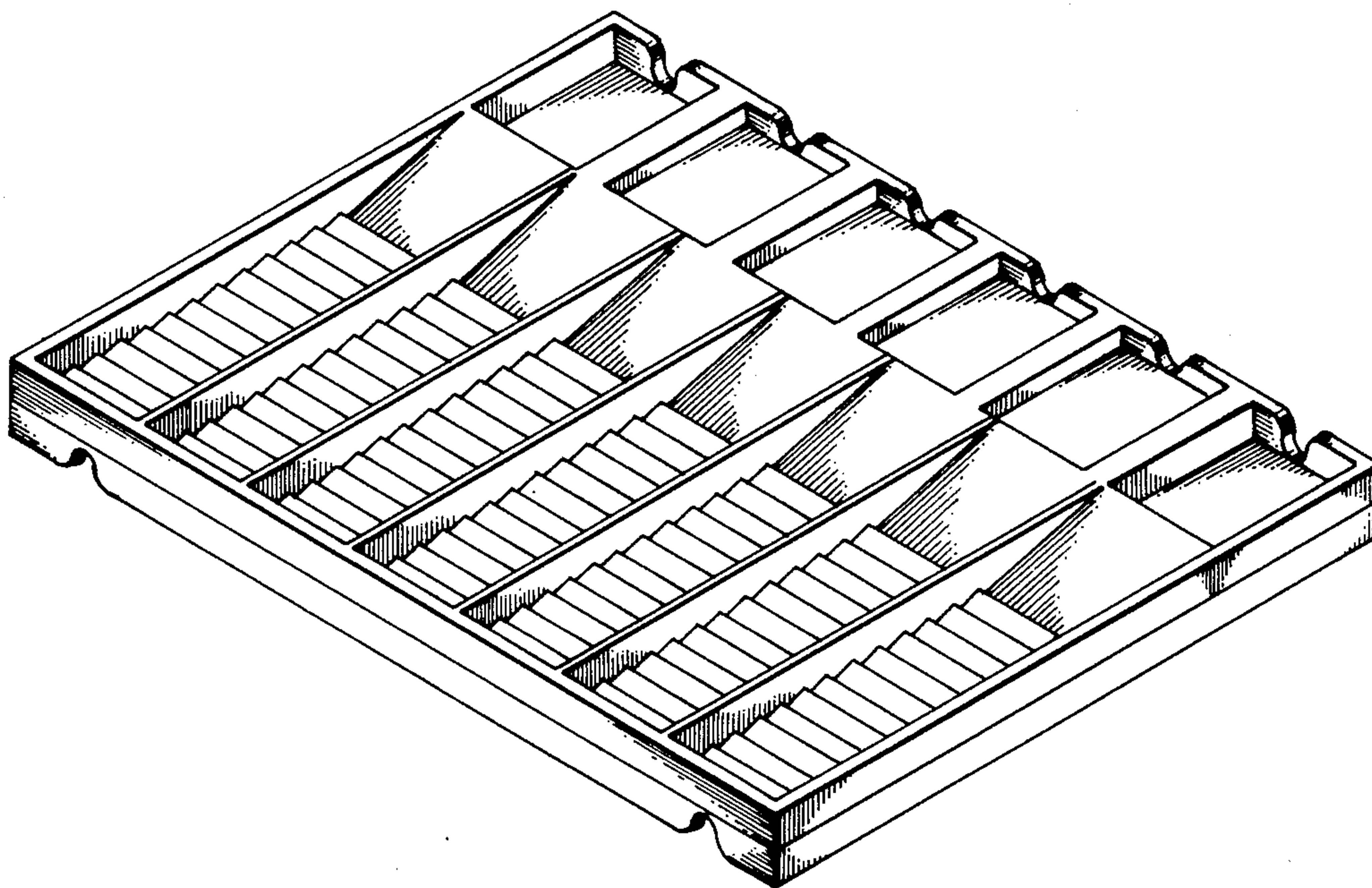


Fig. 1

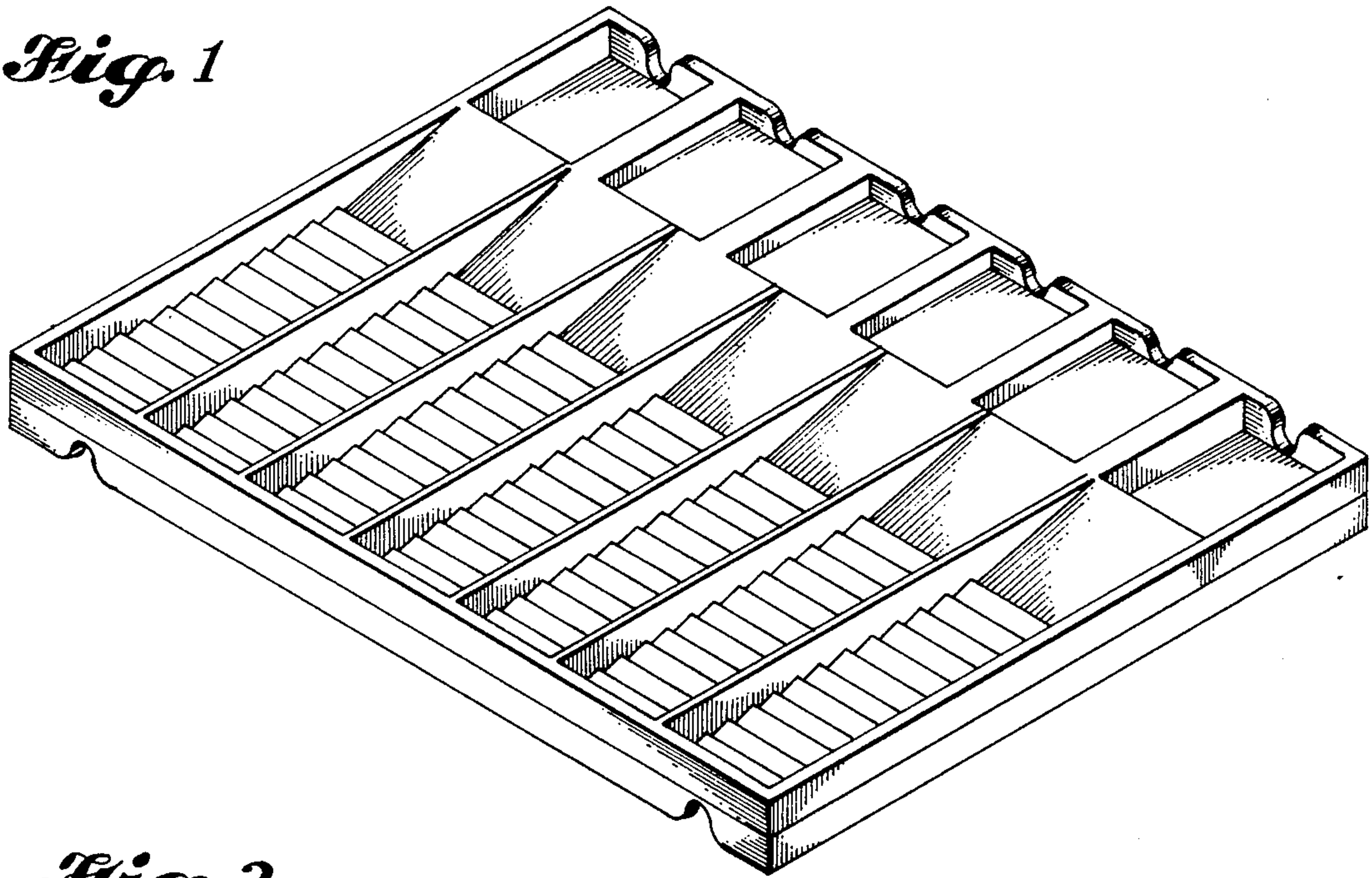


Fig. 2

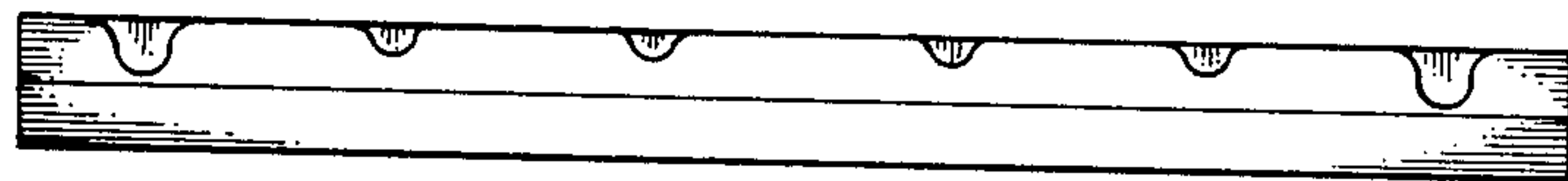


Fig. 4

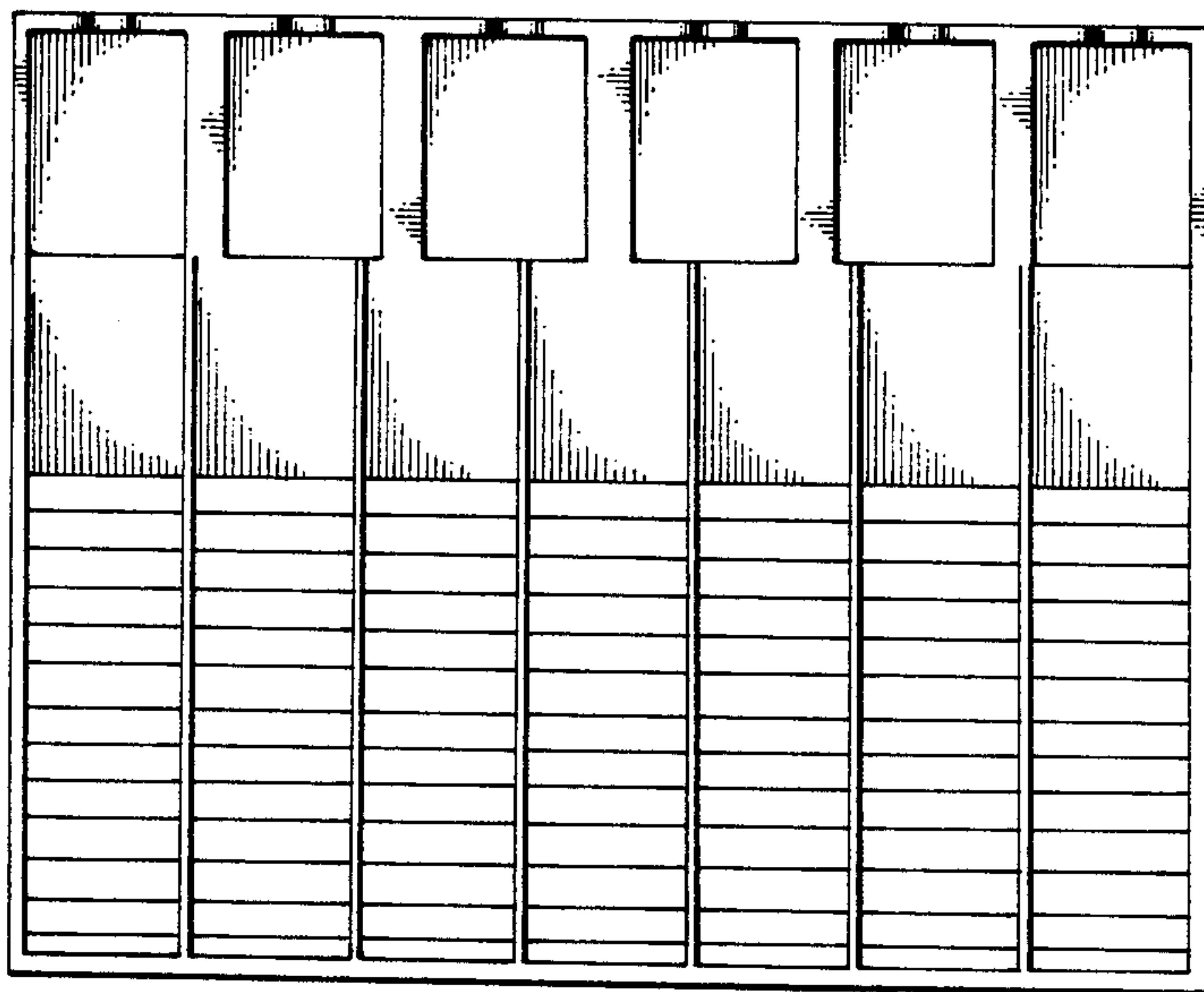


Fig. 3

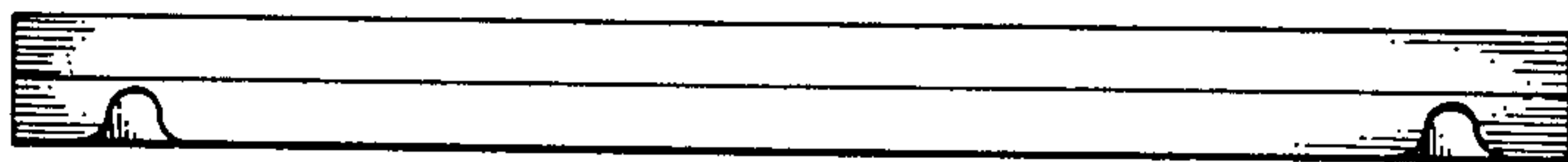


Fig. 5

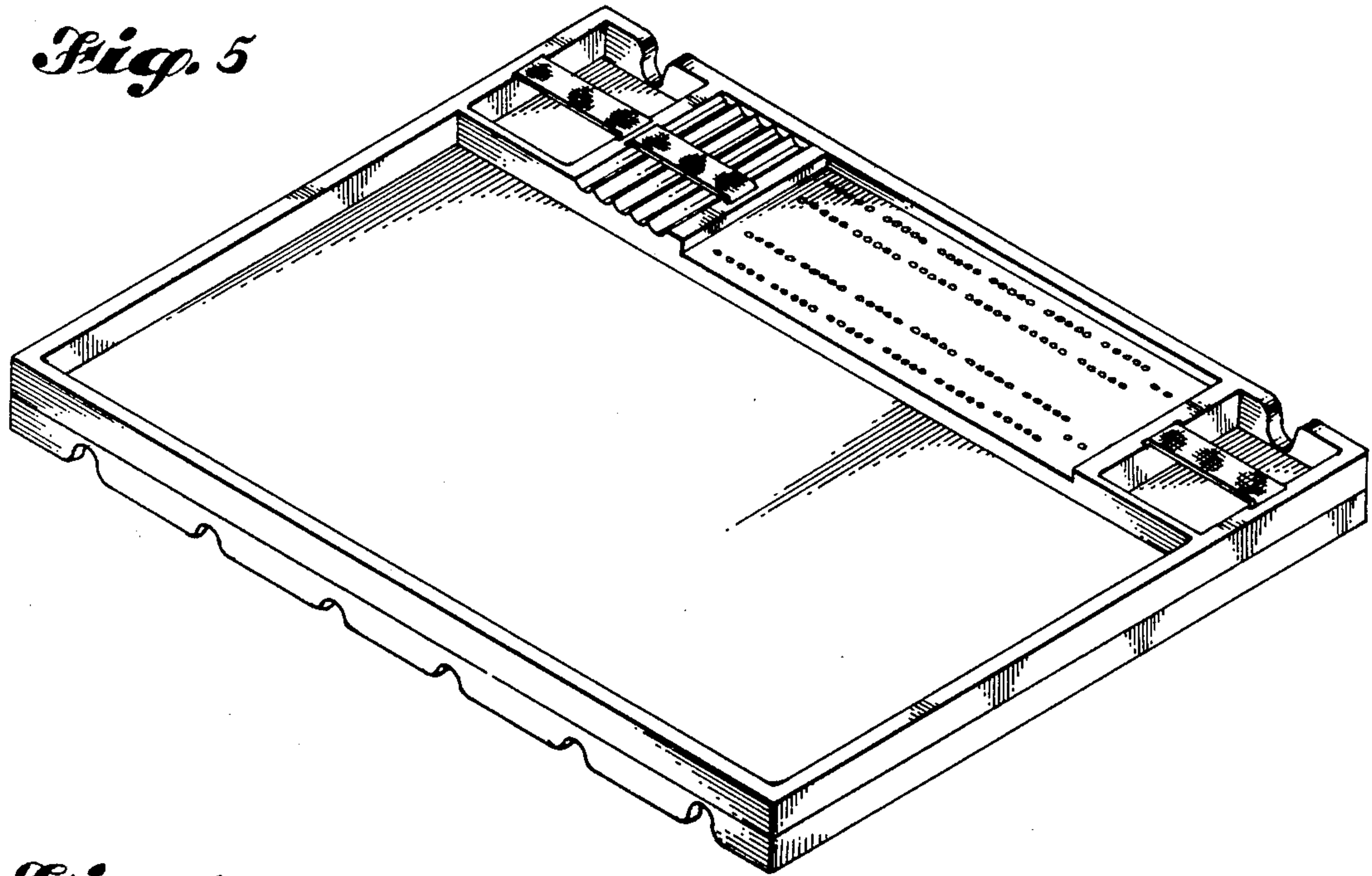


Fig. 6

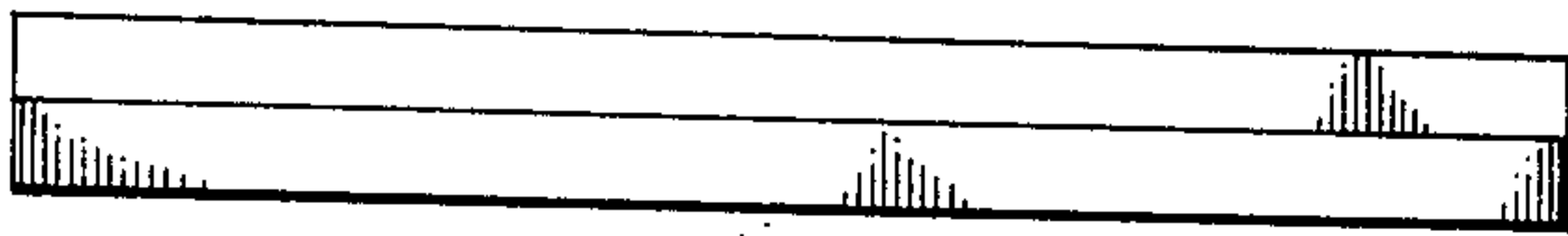


Fig. 7

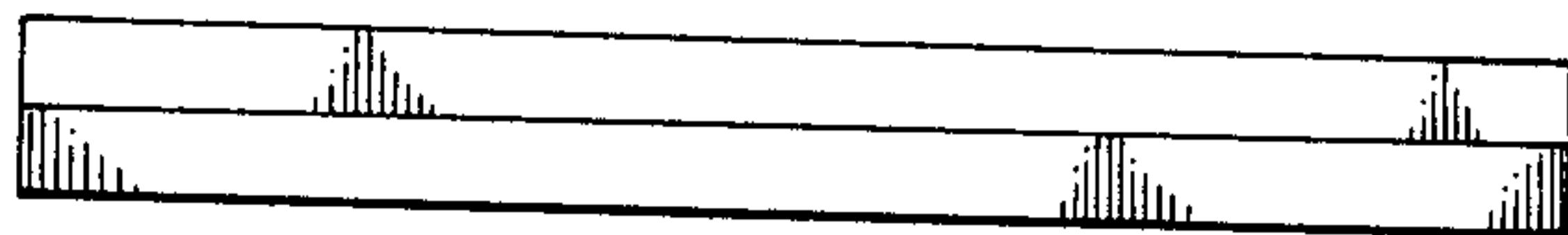


Fig. 8

