

[54] DOCUMENT CLIP  
 [75] Inventor: Rune J. Olsson, Hollviksnas, Sweden  
 [73] Assignee: Produnik Aktiebolag  
 [\*\*] Term: 14 Years  
 [21] Appl. No.: 903,000  
 [22] Filed: May 4, 1978

[30] Foreign Application Priority Data  
 Nov. 7, 1977 [SE] Sweden ..... 772251

[51] Int. Cl. .... D19-99  
 [52] U.S. Cl. .... D19/65  
 [58] Field of Search ..... D19/65, 99, 100;  
 D8/395, 4-5; 24/67 R, 67.1, 67 P, 67.3, 67.9,  
 210; 40/20 R; D7/105; 81/43; 30/174

[56] References Cited  
 U.S. PATENT DOCUMENTS

D. 51,268 9/1917 Grammes ..... D8/395

D. 92,879	7/1934	Canter .....	D19/65
838,662	12/1906	Stephens .....	D7/105
1,083,918	1/1914	Bunzl .....	30/174
2,916,788	12/1959	Carpinella .....	40/20 R
3,604,067	9/1971	Brown .....	24/67 R

Primary Examiner—Joel Stearman  
 Assistant Examiner—George P. Word  
 Attorney, Agent, or Firm—Lawrence I. Lerner

[57] CLAIM

The ornamental design for a document clip, substantially as shown and described.

DESCRIPTION

FIG. 1 is a perspective view of a document clip showing my new design in an open position; FIG. 2 is a perspective view thereof in a closed position; FIG. 3 is a top plan view, the bottom plan view being a mirror image thereof; FIG. 4 is a left side elevational view, the right side being a mirror image thereof; FIG. 5 is a rear elevational view thereof; and FIG. 6 is a front elevational view thereof.

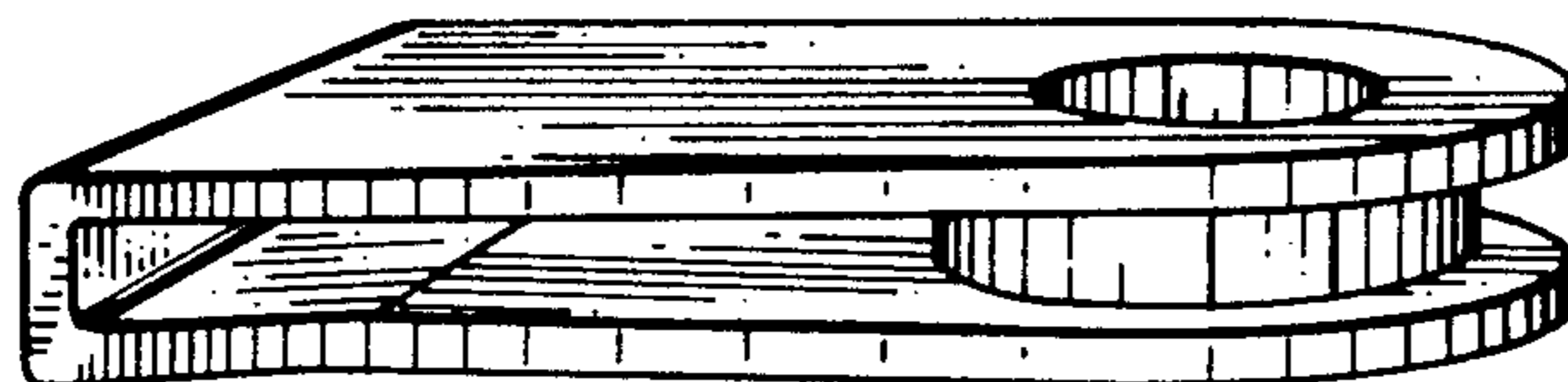
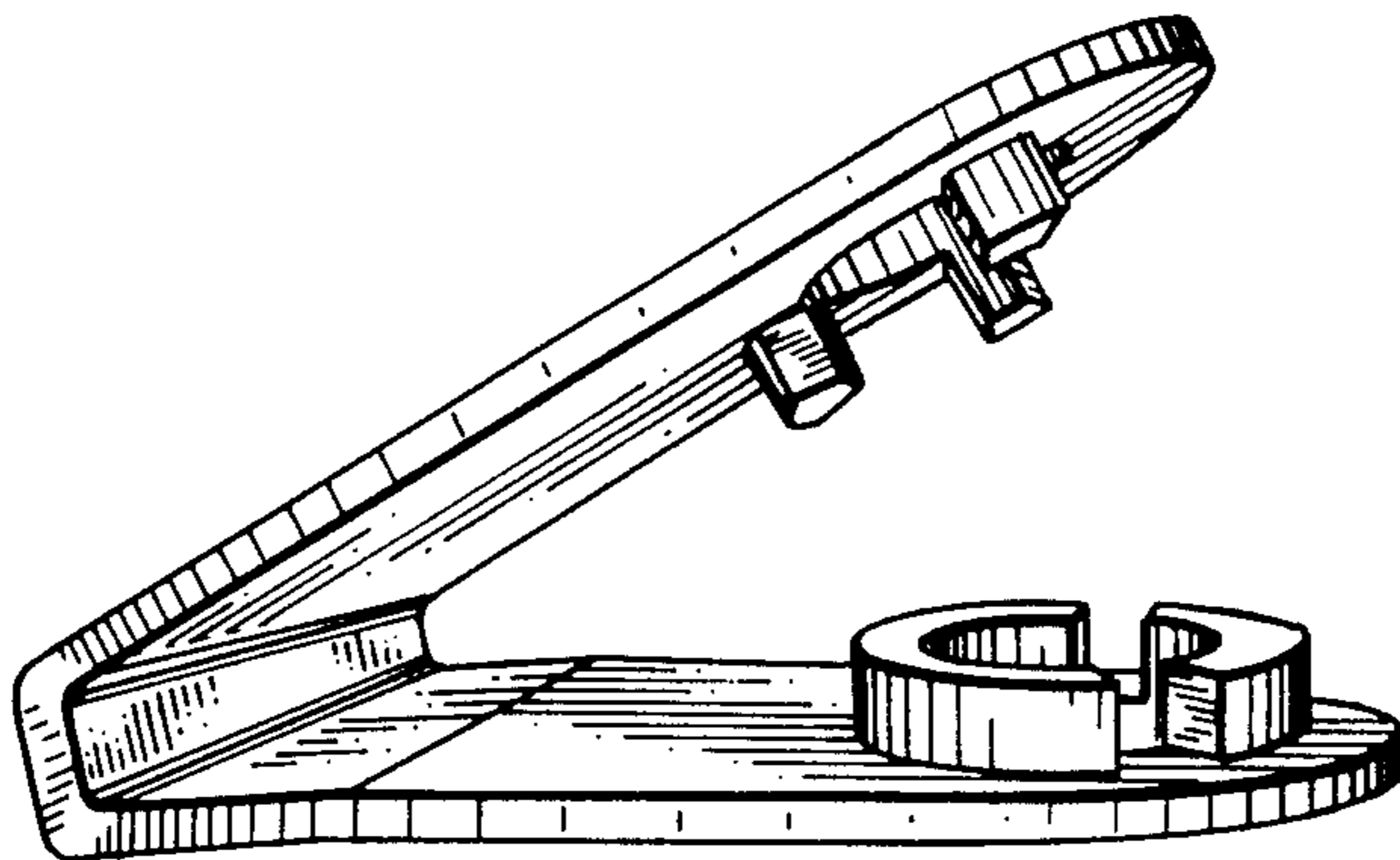


FIG. 1

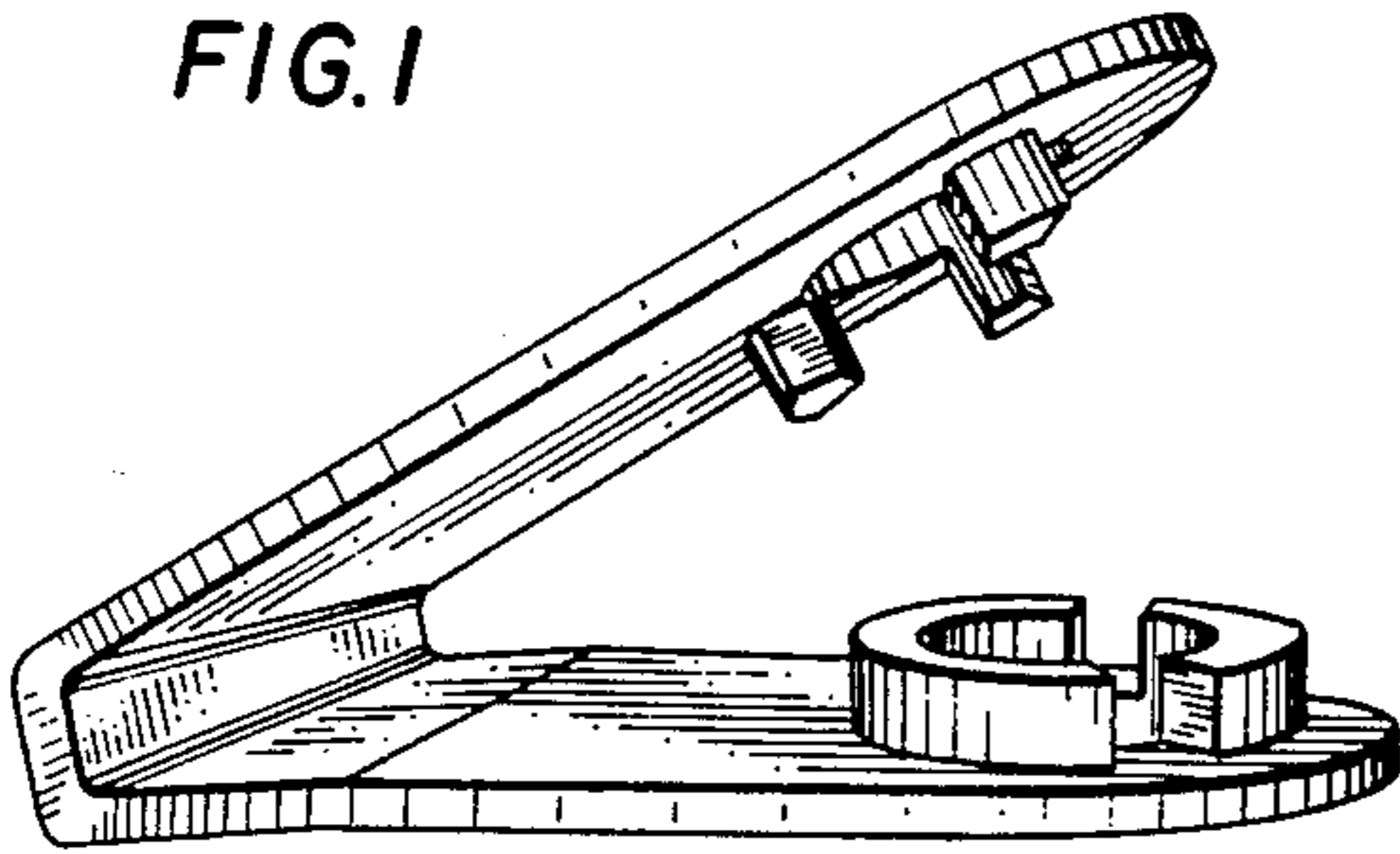


FIG. 2

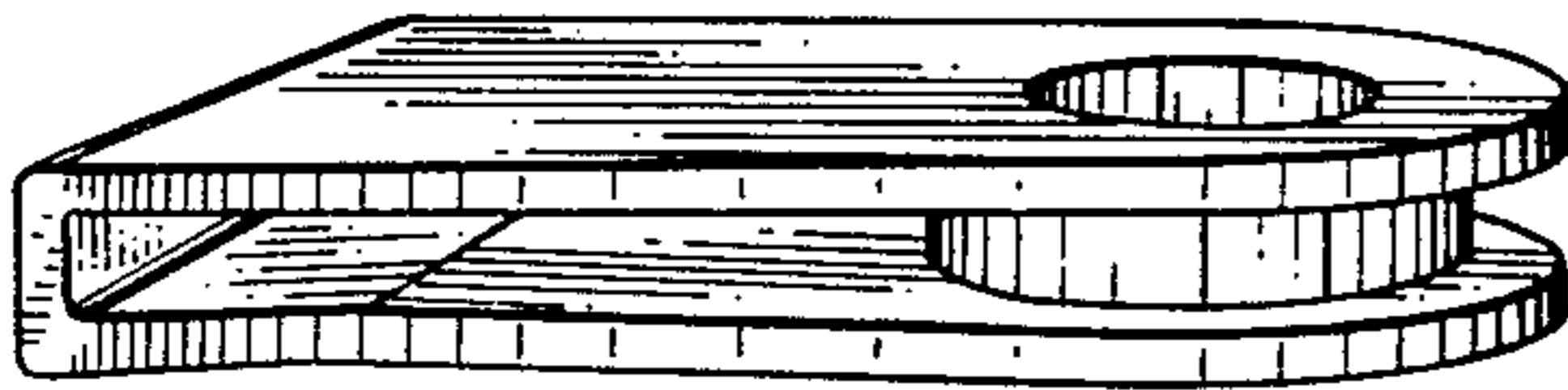


FIG. 3

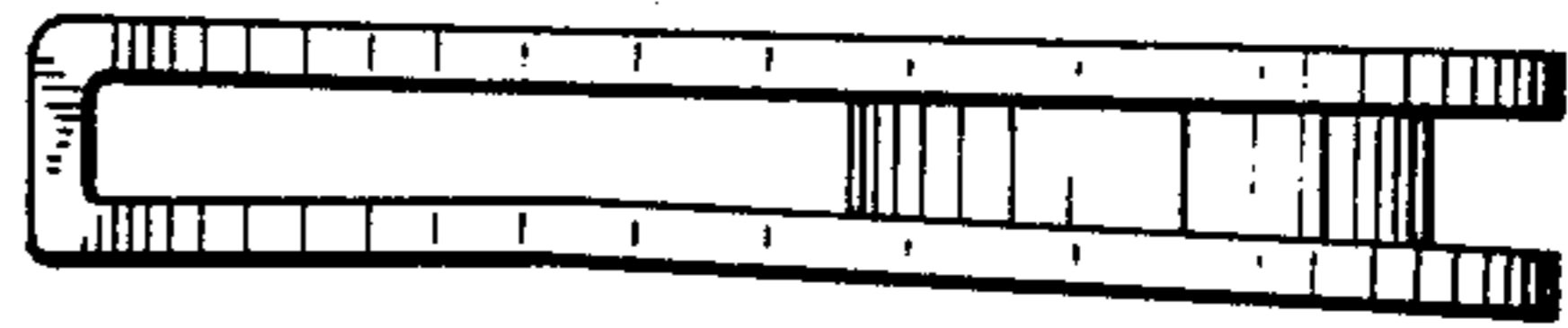
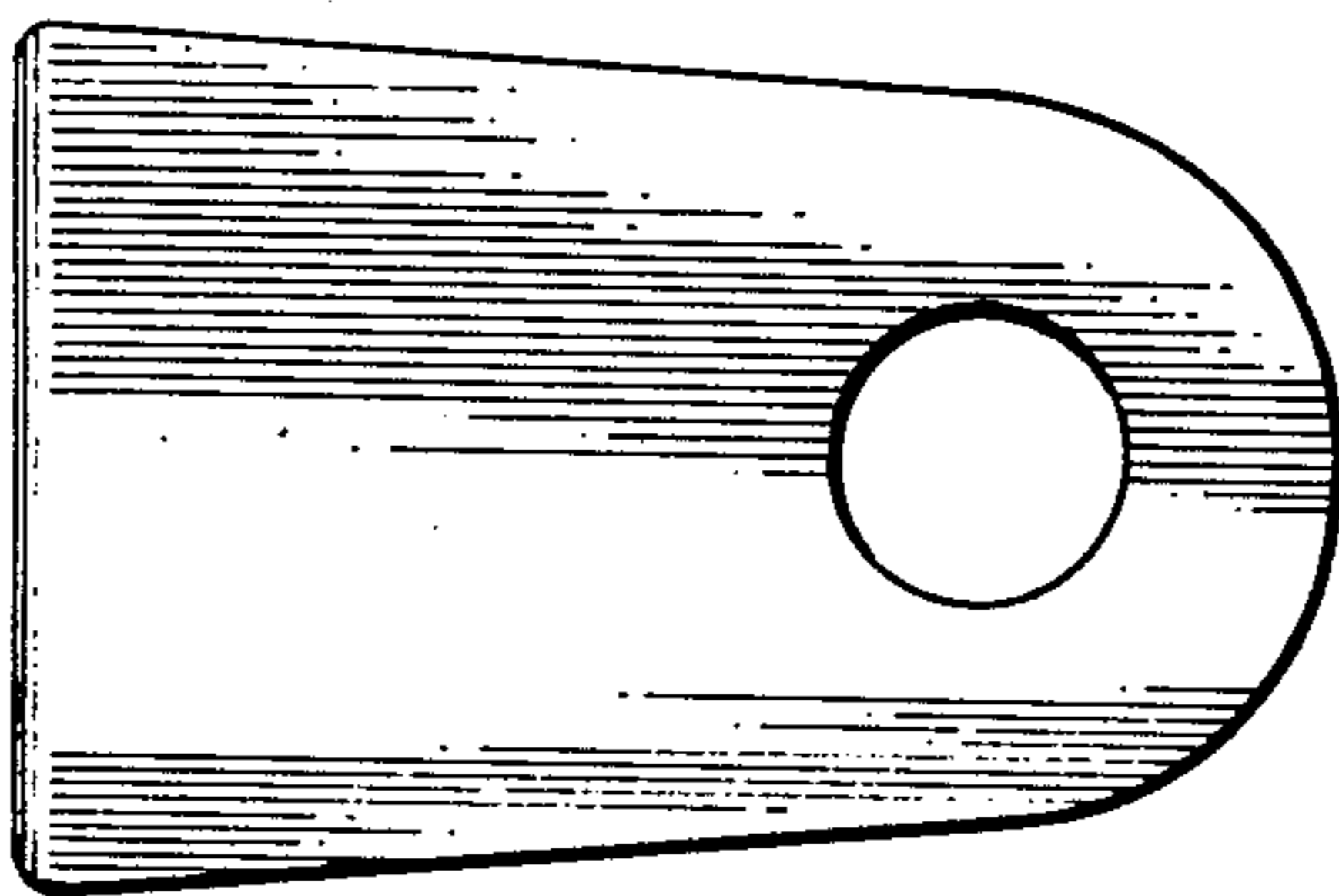


FIG. 4

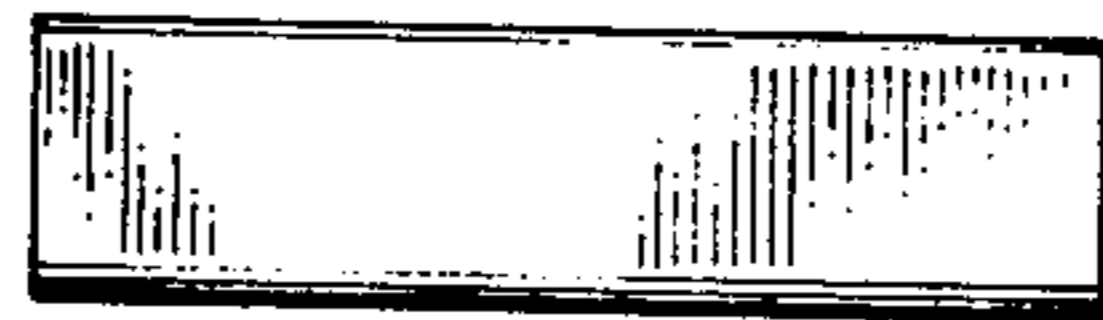


FIG. 5

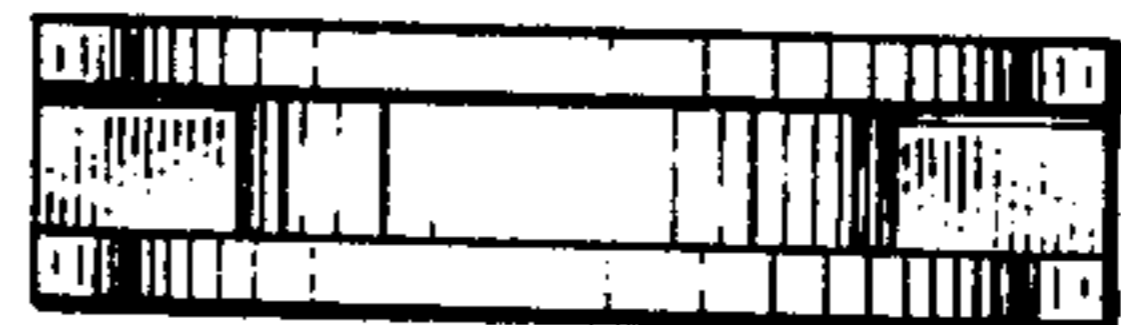


FIG. 6