

[54] PRINTING PAPER DISPENSING CABINET

[76] Inventors: Gary M. Stark, 7 E. 19th St., New York, N.Y. 10003; Alan D. Wagner, 48 Marlene Dr., Syosset, N.Y. 11791

[**] Term: 14 Years

[21] Appl. No.: 931,114

[22] Filed: Aug. 4, 1978

[51] Int. Cl. D18-99

[52] U.S. Cl. D18/22; D6/96

[58] Field of Search D6/96; D18/22; 242/55.23, 55.3, 55.53; 312/39, 42; D20/4; 225/23; D16/32

[56] References Cited

U.S. PATENT DOCUMENTS

Re. 21,678	12/1940	Daykin	D6/96 X
D. 159,783	8/1950	Carver	D18/22
D. 216,281	12/1969	Moyroud	D16/32

3,537,767	11/1970	James	312/39
3,719,141	3/1973	Jaffa	D18/22 X

Primary Examiner—Nelson C. Holtje
Attorney, Agent, or Firm—Alan K. Roberts

[57] CLAIM

The ornamental design for a printing paper dispensing cabinet, substantially as shown and described.

DESCRIPTION

FIG. 1 is a top and right rear perspective view of a printing paper dispensing cabinet showing my new design in an open position, the inner side, not shown, is identical to that shown;

FIG. 2 is a top plan view thereof;

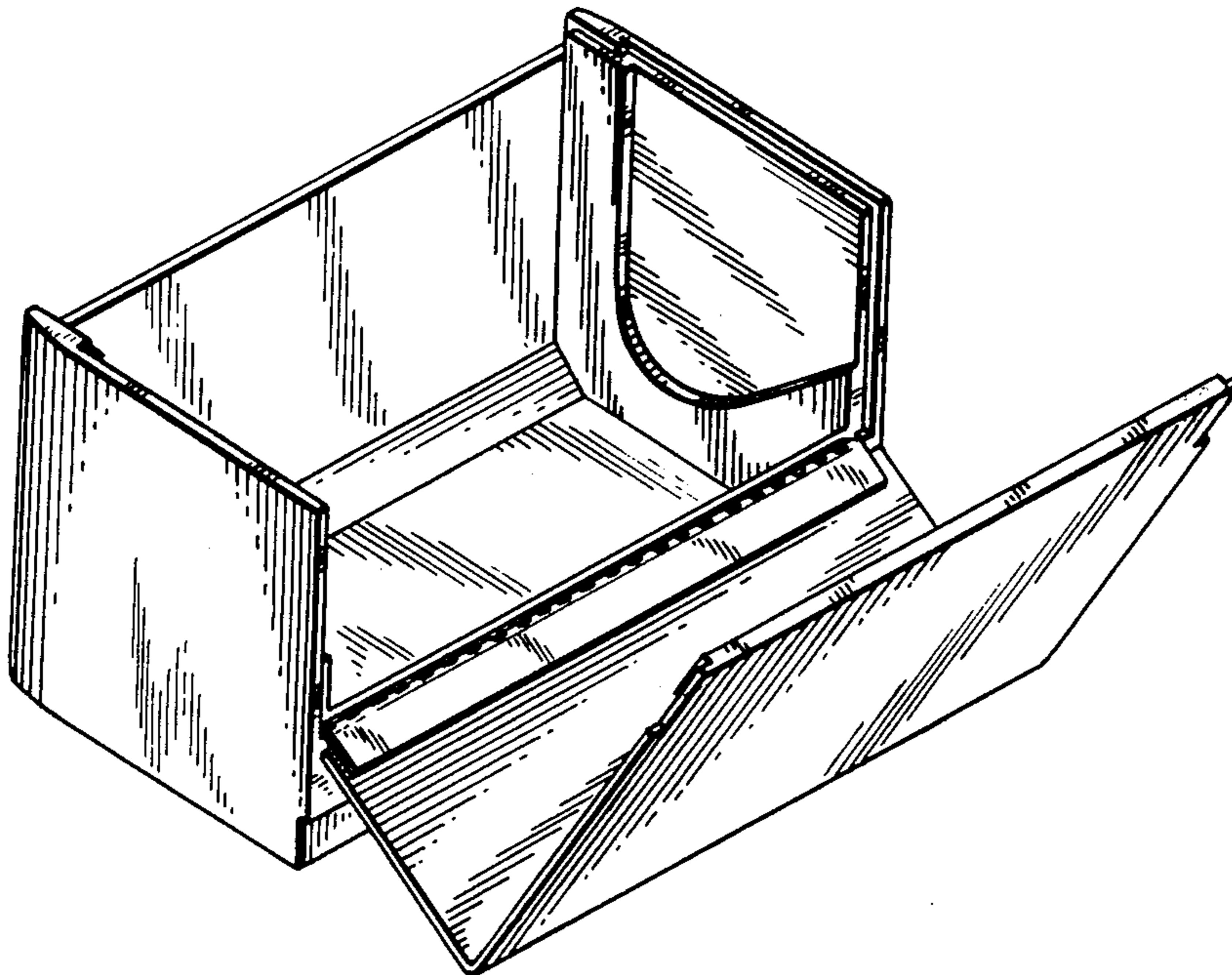
FIG. 3 is a left side elevational view thereof;

FIG. 4 is a front elevational view thereof;

FIG. 5 is a rear elevational view thereof;

FIG. 6 is a bottom plan view thereof.

FIGS. 2-6 show the printing paper dispensing cabinet in a closed position.



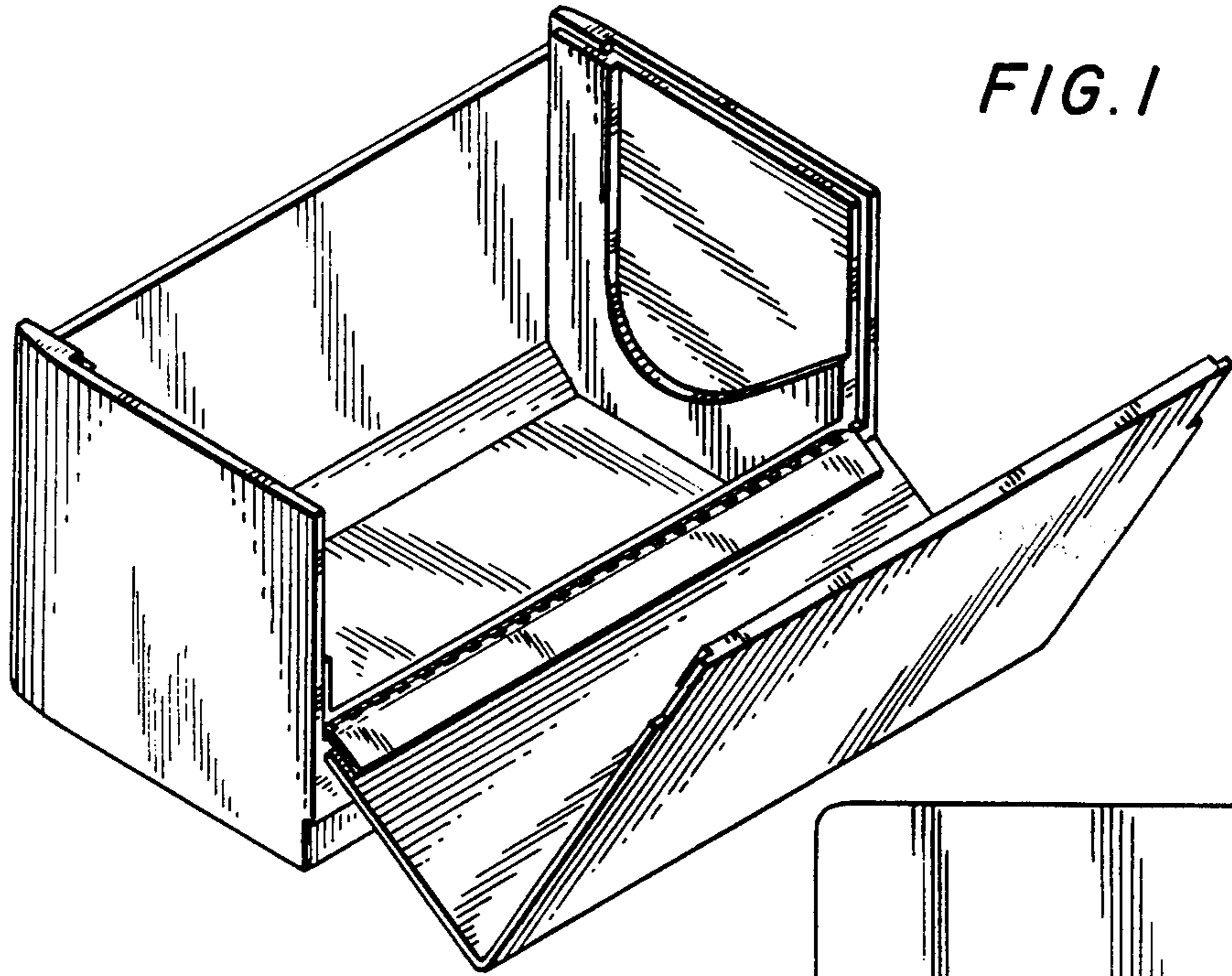


FIG. 1

FIG. 3

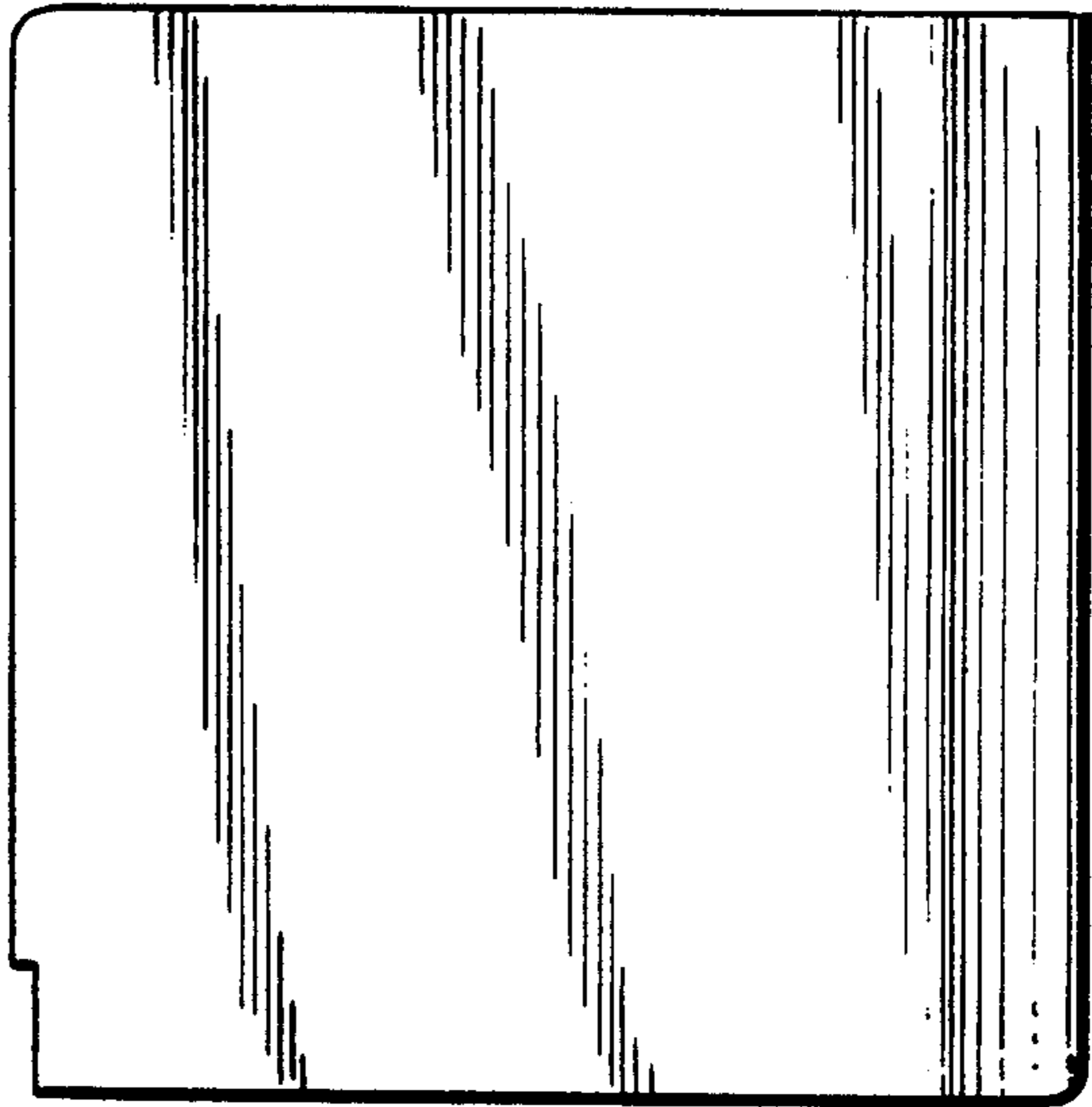


FIG. 2

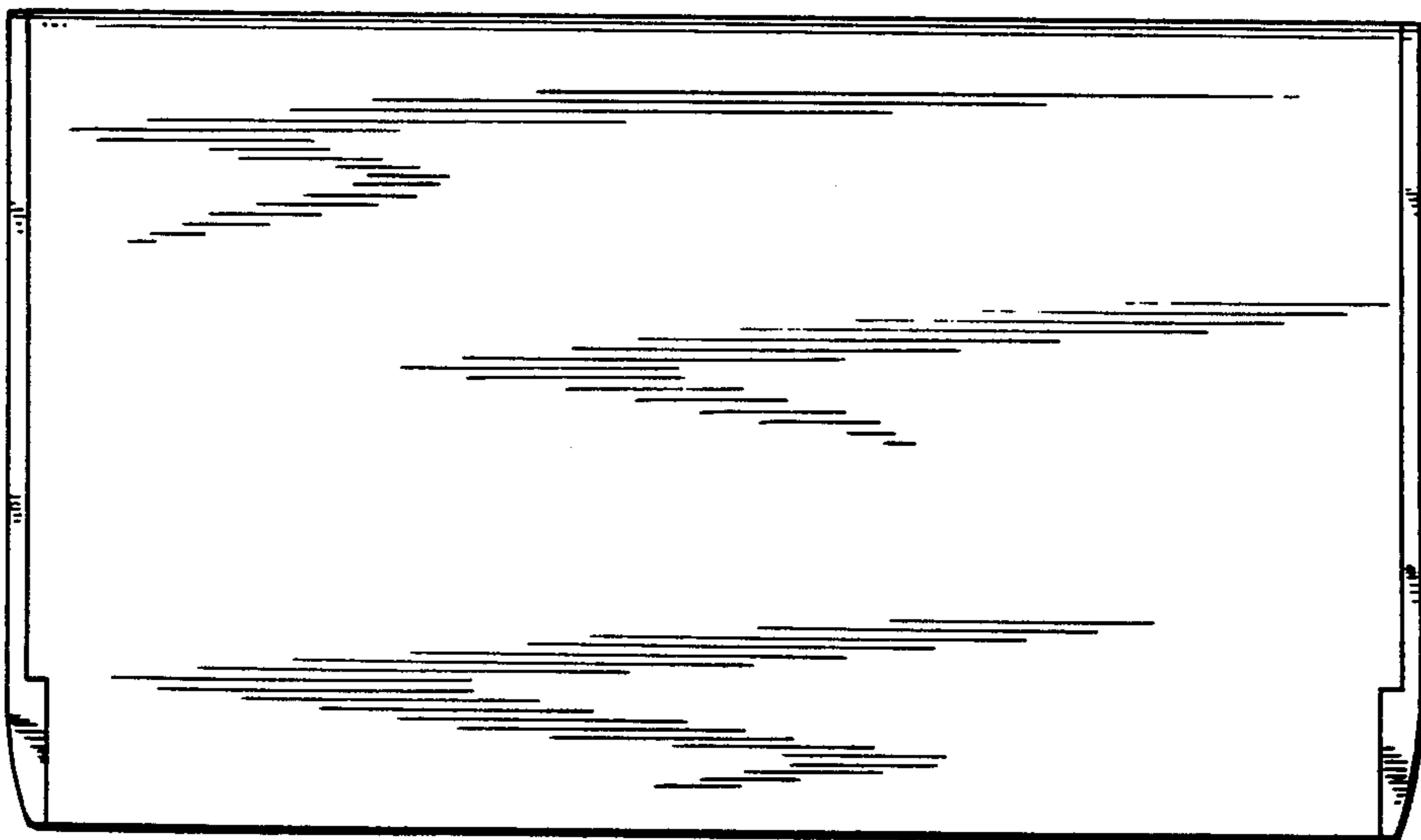


FIG. 4

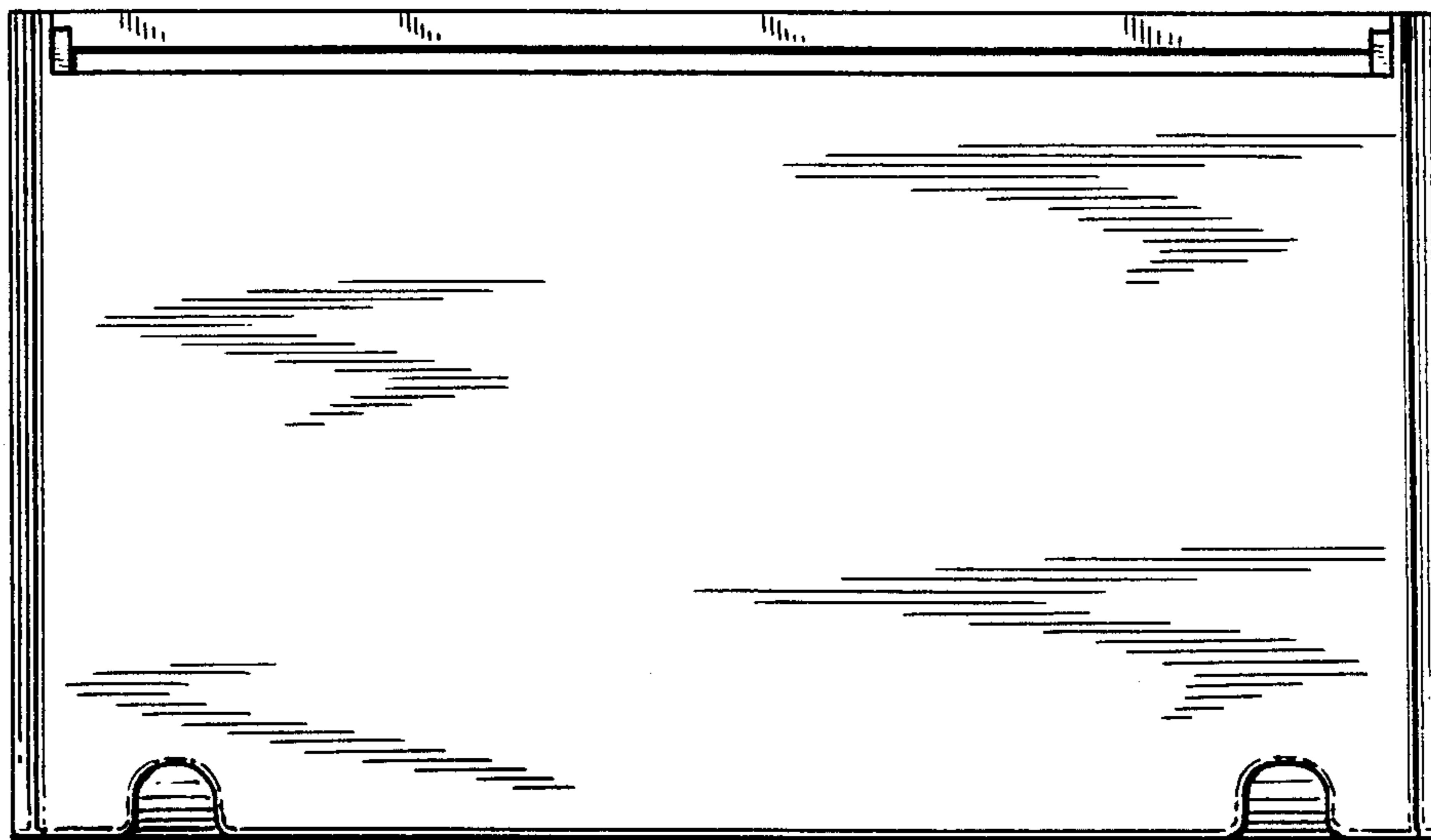


FIG. 5

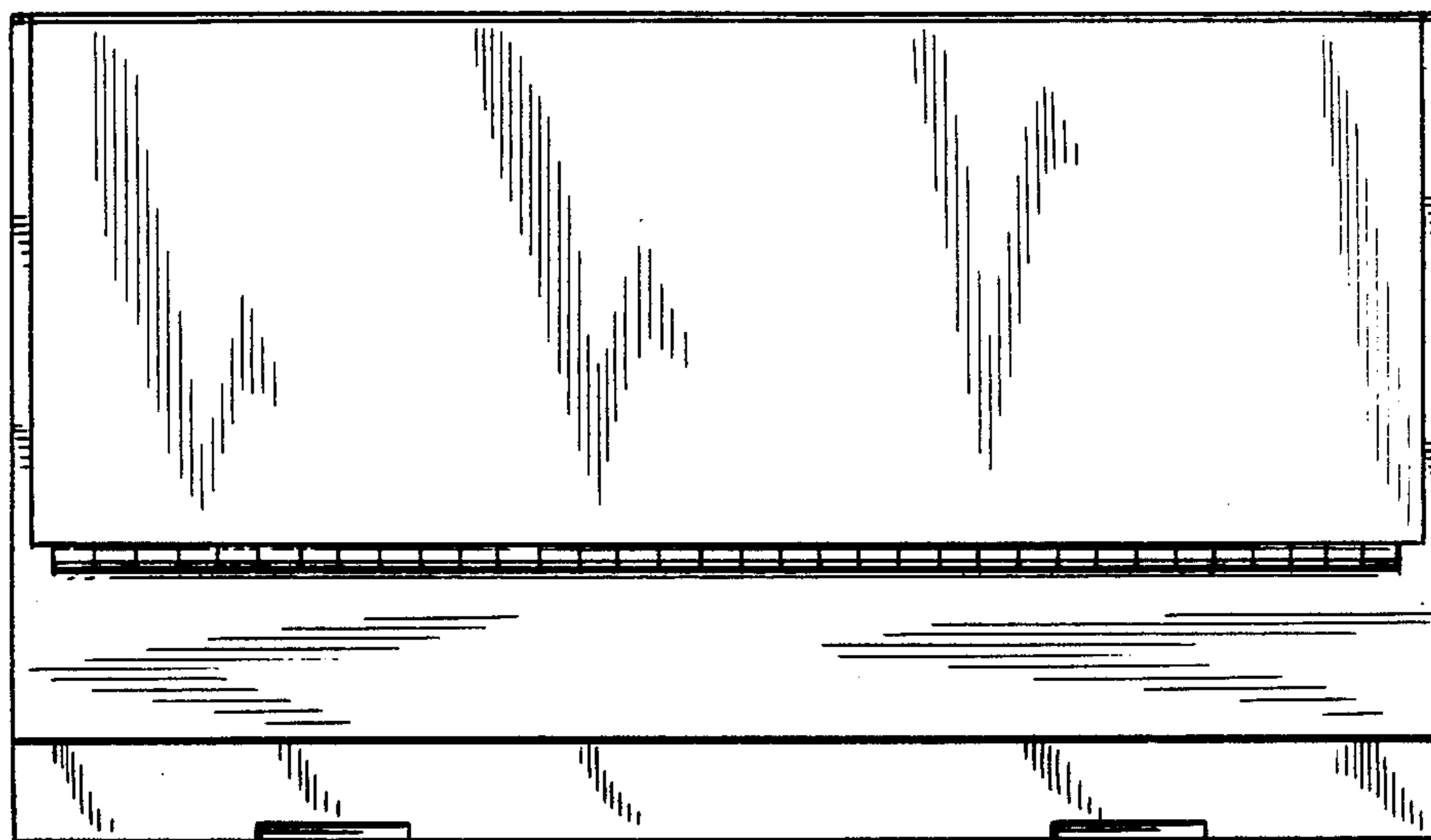


FIG. 6

