

[54] MAILING MACHINE

[75] Inventors: George H. Woods, Fairfield; Tim I. K. Oei, Rowayton; R. Eric Anderson, Hartford, all of Conn.

[73] Assignee: Pitney Bowes Inc., Stamford, Conn.

[\*\*] Term: 14 Years

[21] Appl. No.: 908,104

[22] Filed: May 22, 1978

[51] Int. Cl. .... D18-02

[52] U.S. Cl. .... D18/13

[58] Field of Search ..... D19/65; D18/13, 34; D15/145, 199; 271/35

[56]

References Cited

U.S. PATENT DOCUMENTS

D. 220,011	2/1971	Watson et al. ....	D18/13
D. 229,865	1/1974	Schmeck .....	D18/13
D. 243,712	3/1977	Morris et al. ....	D15/145
3,825,727	7/1974	Sarcia .....	D18/13

Primary Examiner—George P. Word  
Attorney, Agent, or Firm—Robert E. Meyer

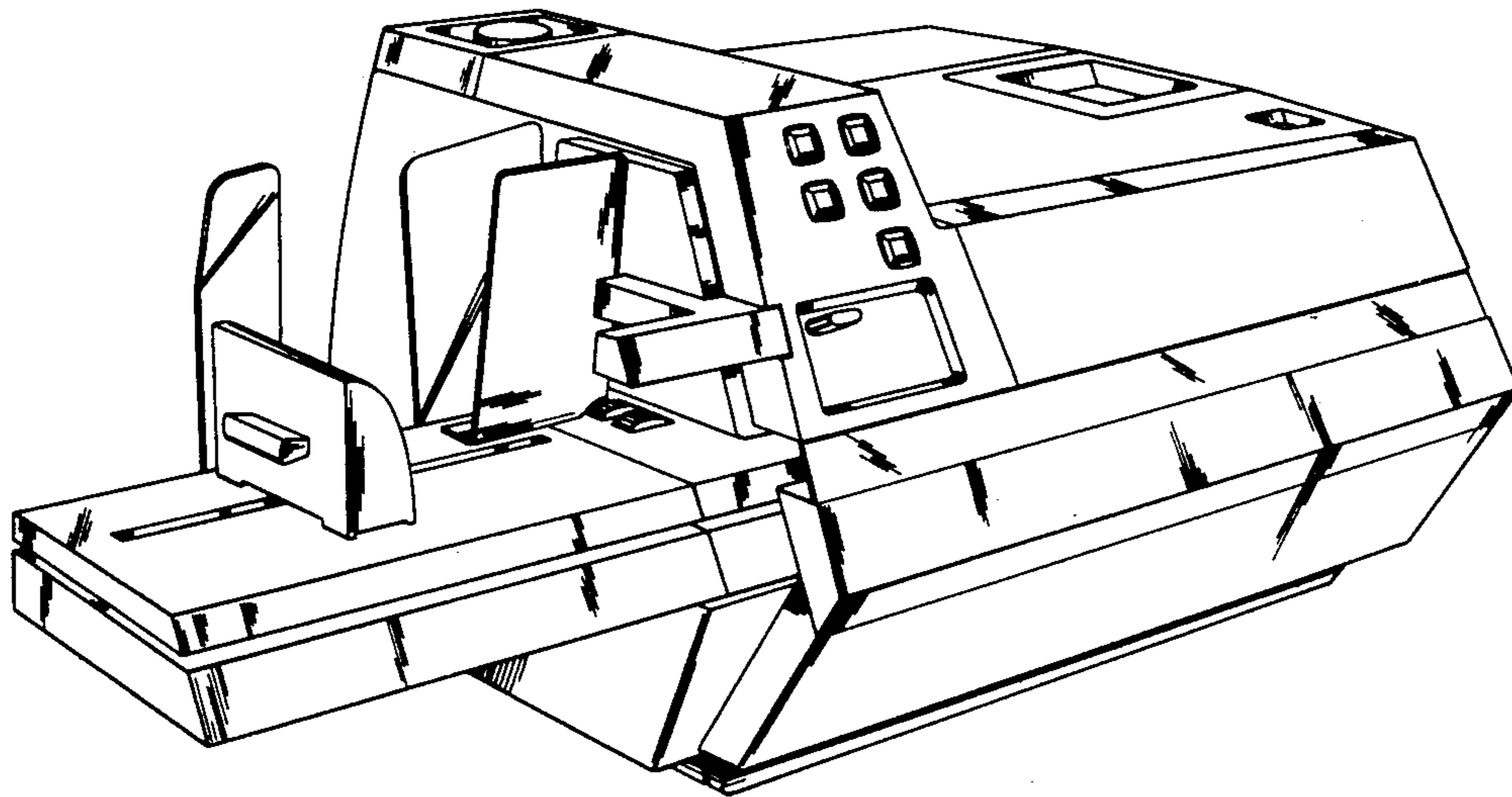
[57]

CLAIM

The ornamental design for a mailing machine, as shown.

DESCRIPTION

FIG. 1 is a perspective view of a mailing machine showing our new design;  
FIG. 2 is a front elevational view thereof;  
FIG. 3 is a top plan view thereof;  
FIG. 4 is a right side elevational view thereof;  
FIG. 5 is a left side elevational view thereof;  
FIG. 6 is a rear elevational view thereof;



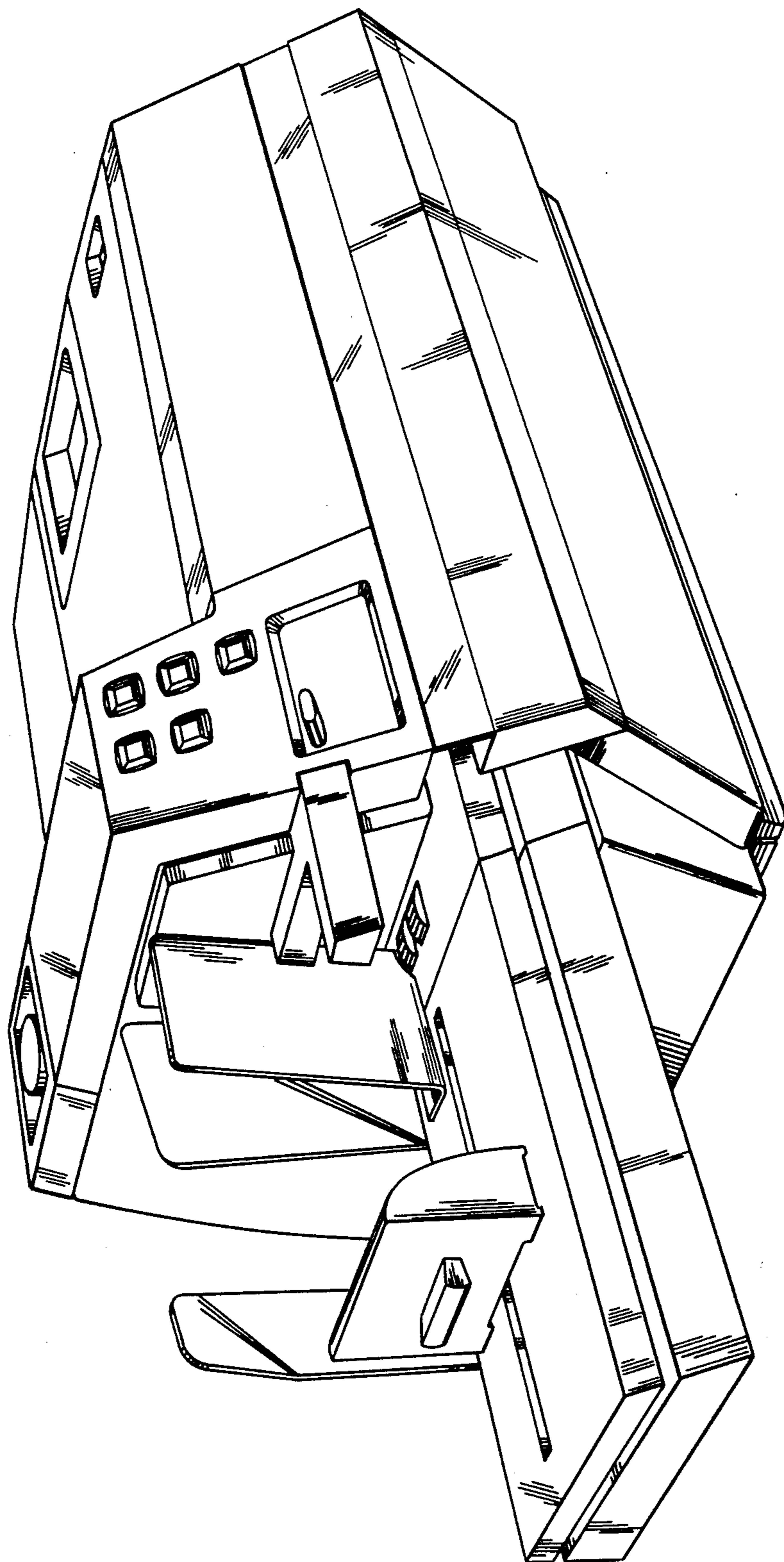
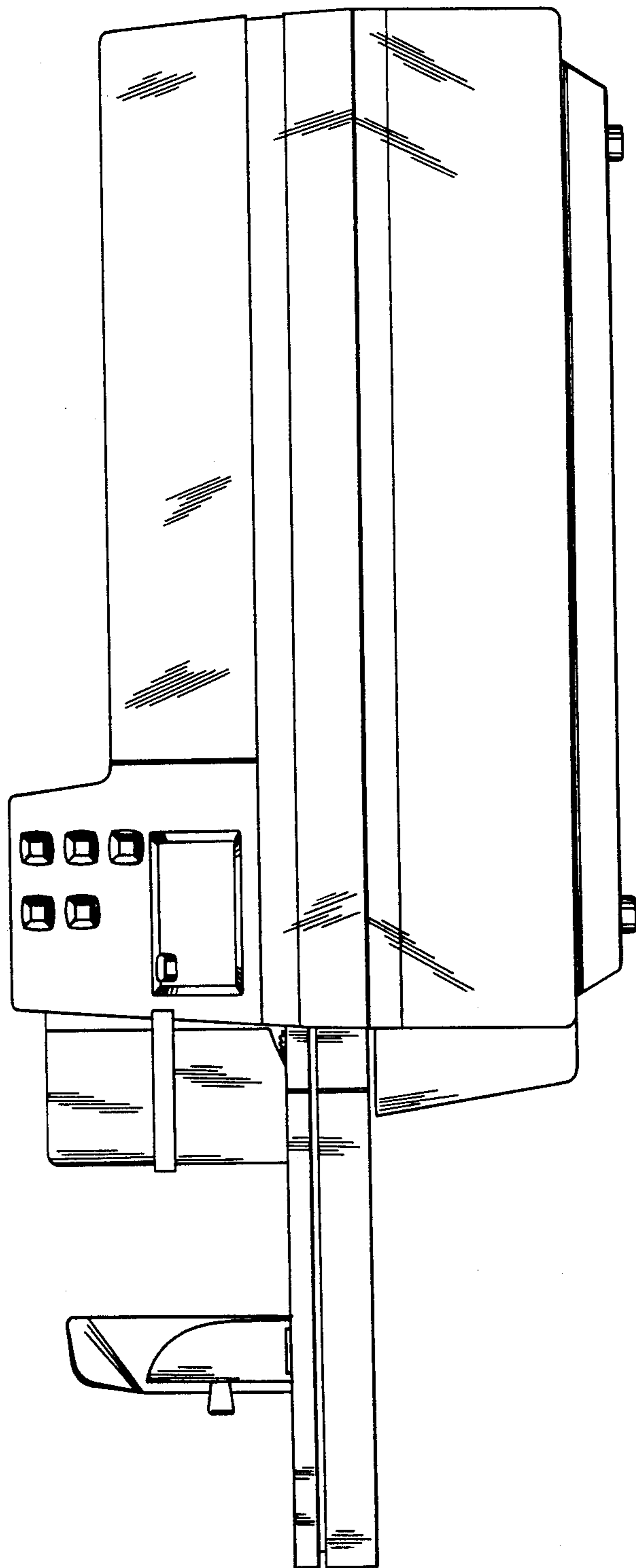


FIG. 1

FIG. 2



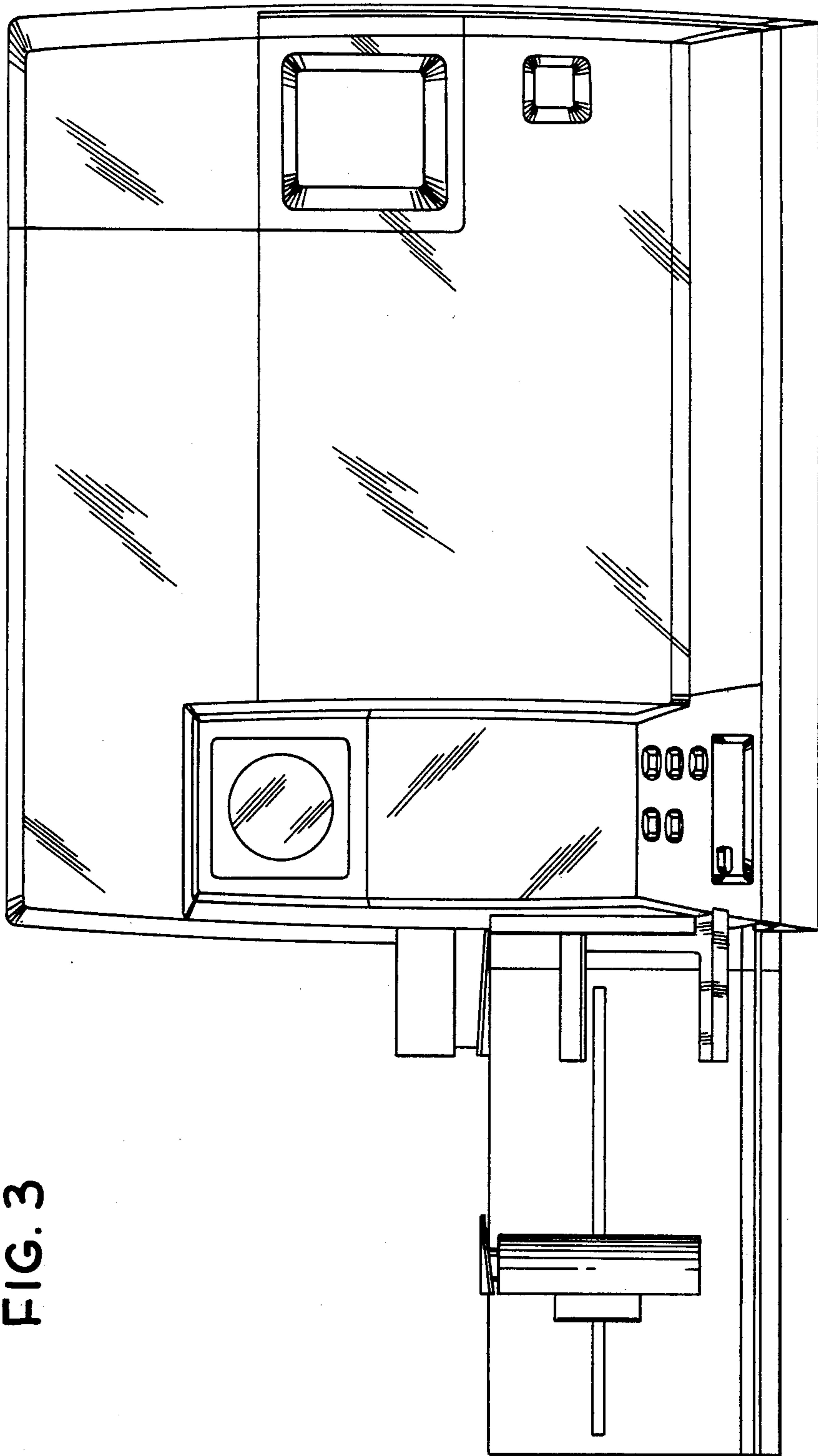


FIG. 3

FIG. 4

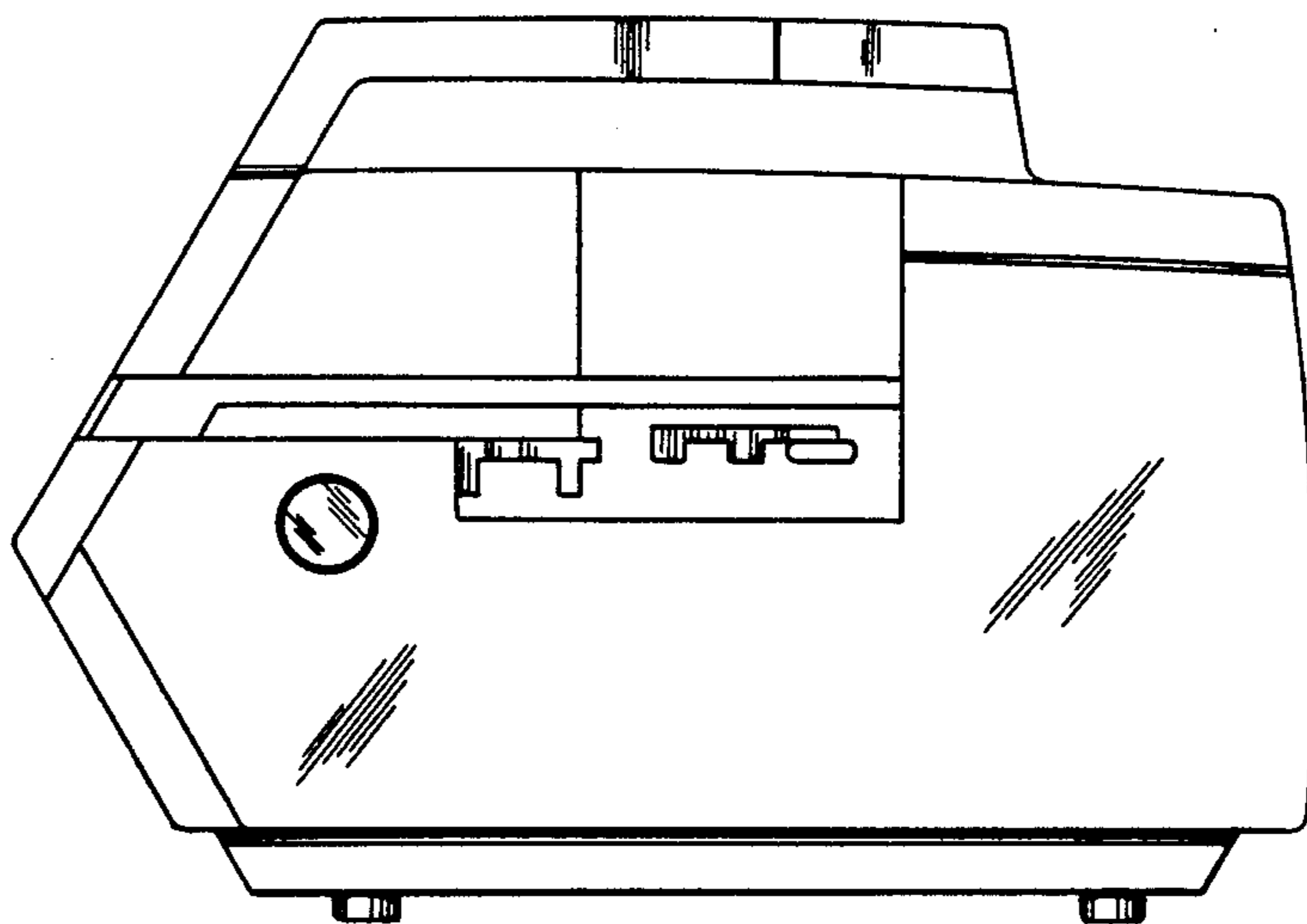
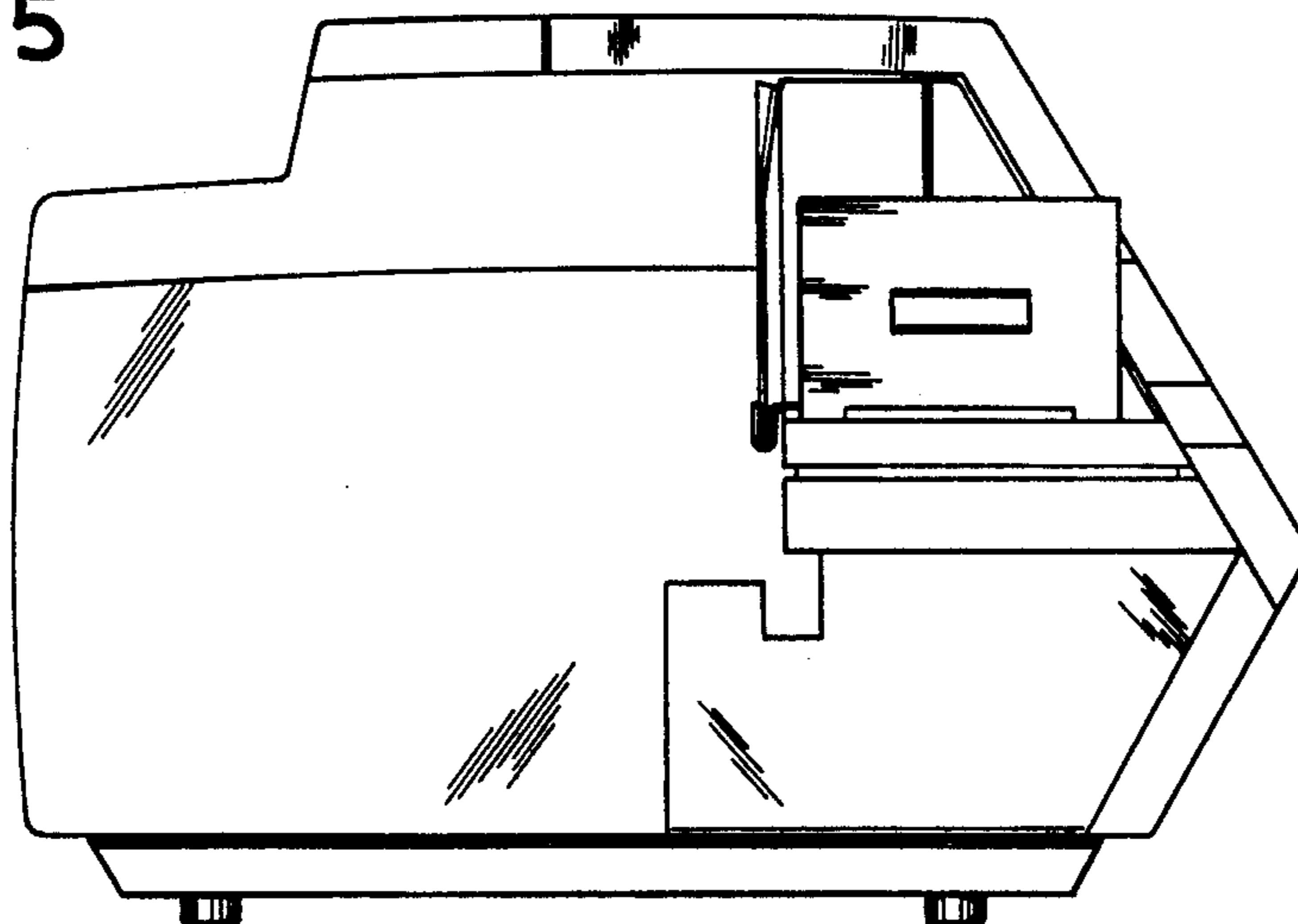


FIG. 5



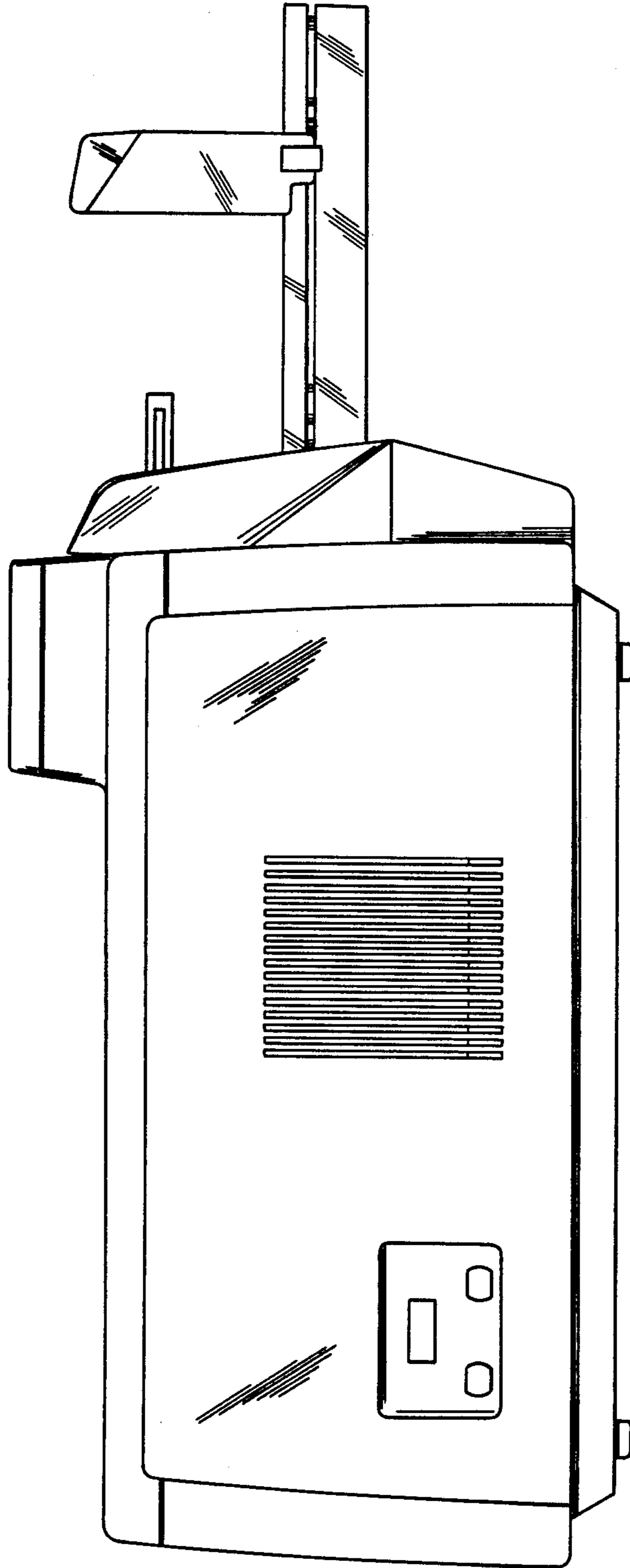


FIG. 6