

[54] PAVING CRACK SEALER MACHINE

[75] Inventor: Carl C. Jacobson, Tempe, Ariz.

[73] Assignee: Crafcro, Inc., Phoenix, Ariz.

[**] Term: 14 Years

[21] Appl. No.: 885,786

[22] Filed: Mar. 13, 1978

[51] Int. Cl. D15-04

[52] U.S. Cl. D15/27

[58] Field of Search D15/10, 13, 27;
404/107; 366/13, 22, 24

[56] References Cited

U.S. PATENT DOCUMENTS

D. 171,071	12/1953	Wylie	D15/27
3,466,988	9/1969	Sharpe	404/107
3,873,227	3/1975	Goethe et al.	404/107

Primary Examiner—James M. Gandy
Attorney, Agent, or Firm—Herbert E. Haynes, Jr.

[57] CLAIM

The ornamental design for a paving crack sealer machine, as shown.

DESCRIPTION

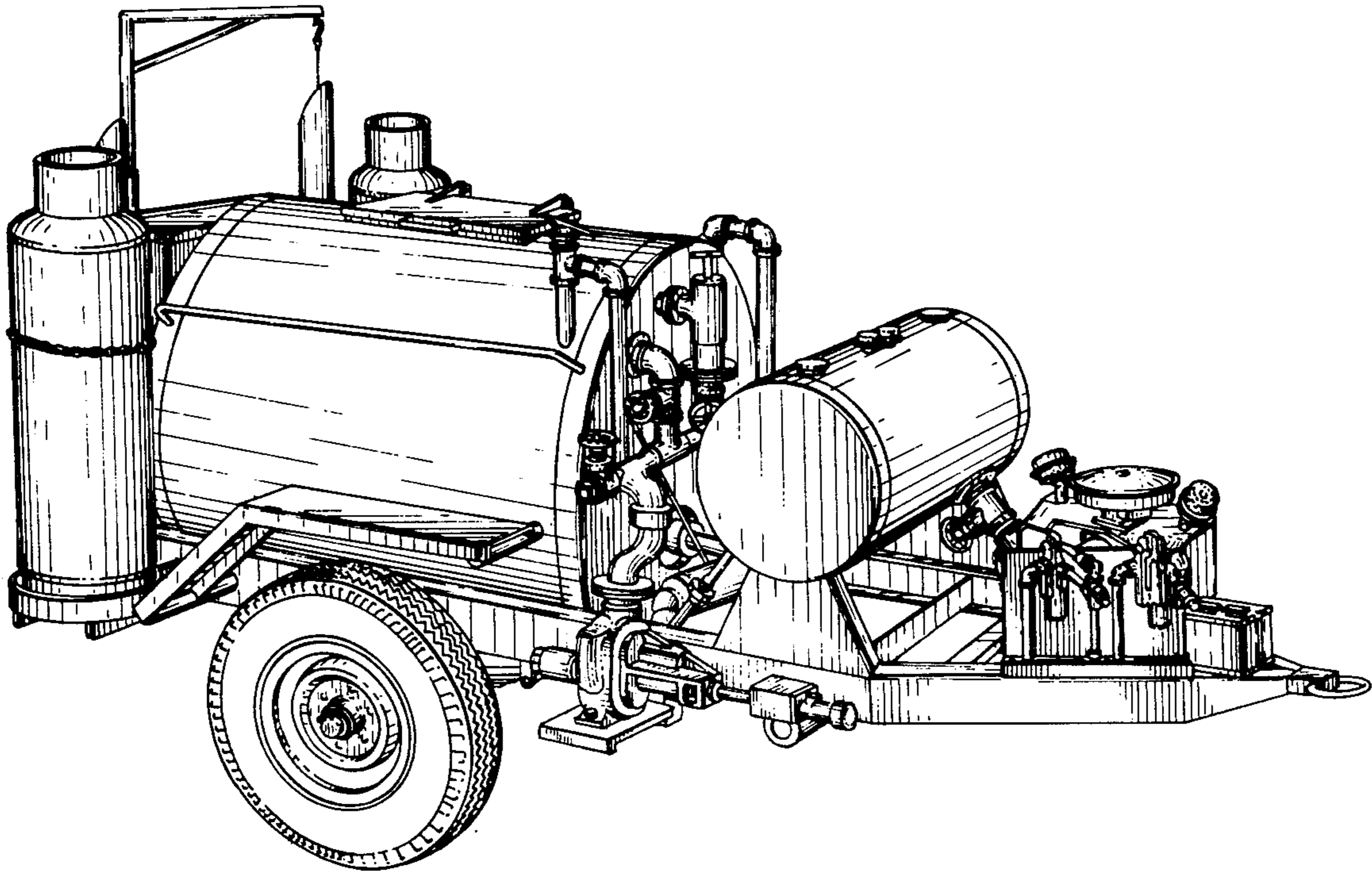
FIG. 1 is a perspective view of a paving crack sealer machine showing my invention.

FIG. 2 is a rear elevational view thereof.

FIG. 3 is a front elevational view thereof.

FIG. 4 is a right side elevational view thereof.

FIG. 5 is a left side elevational view thereof.



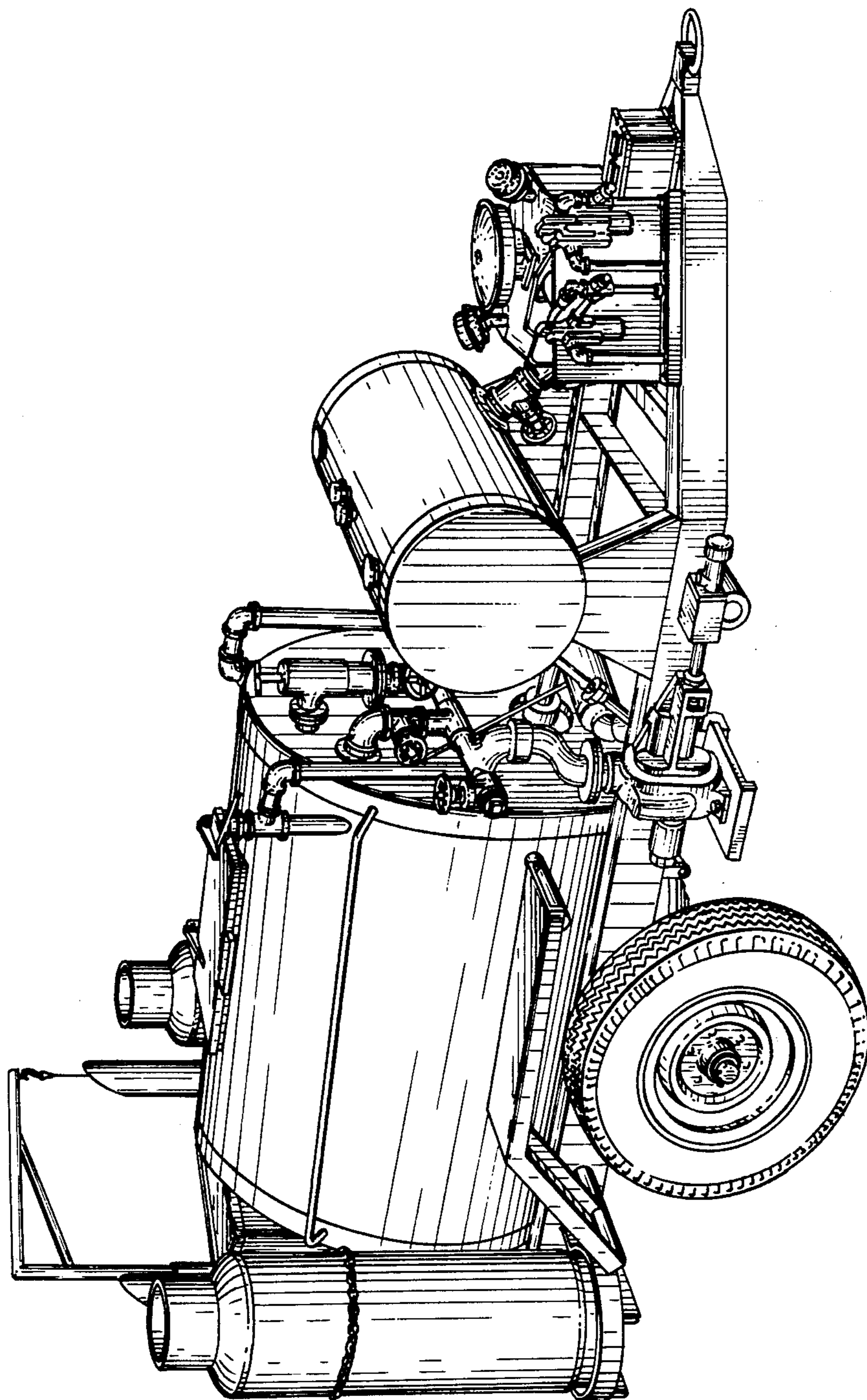
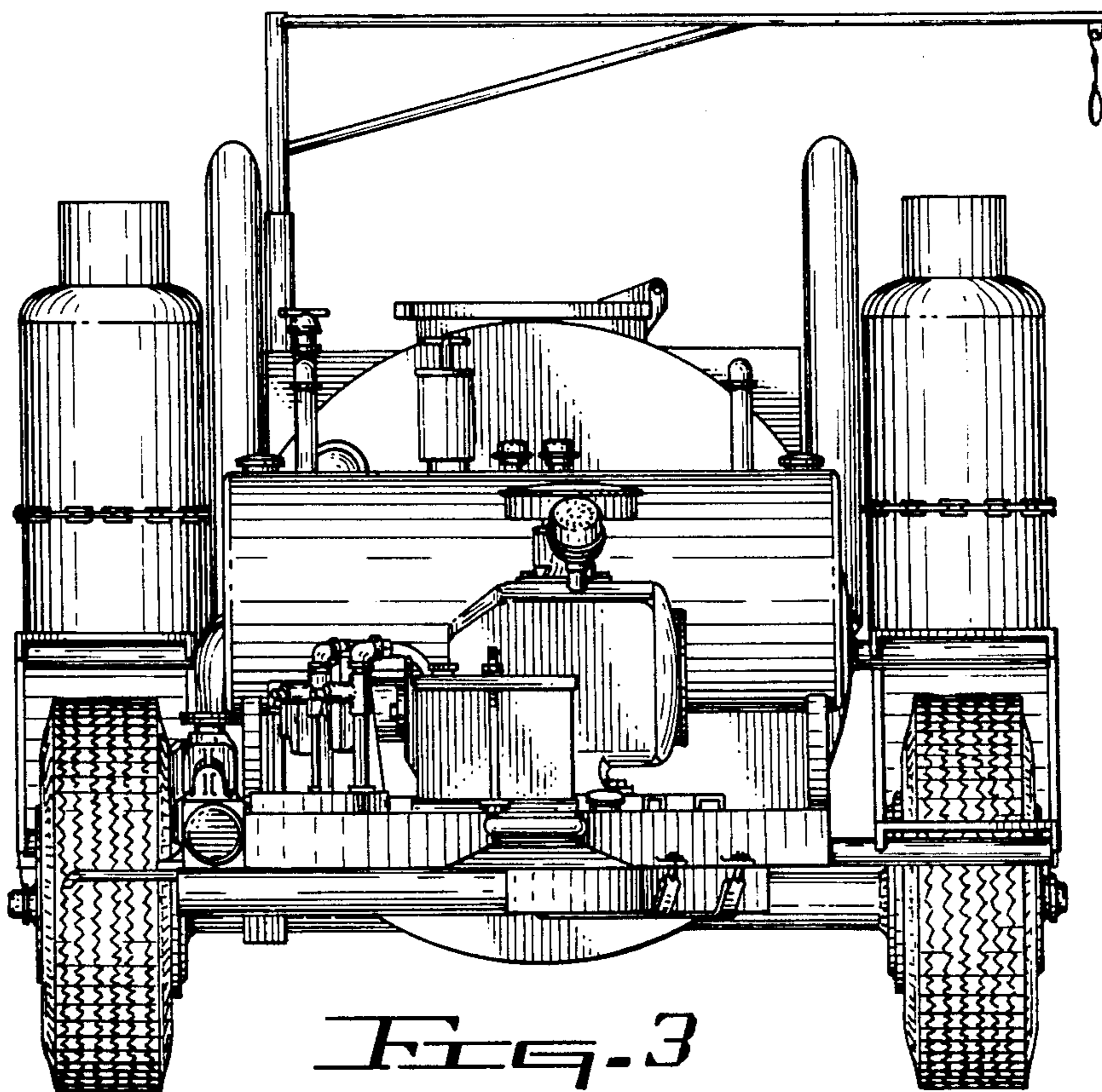
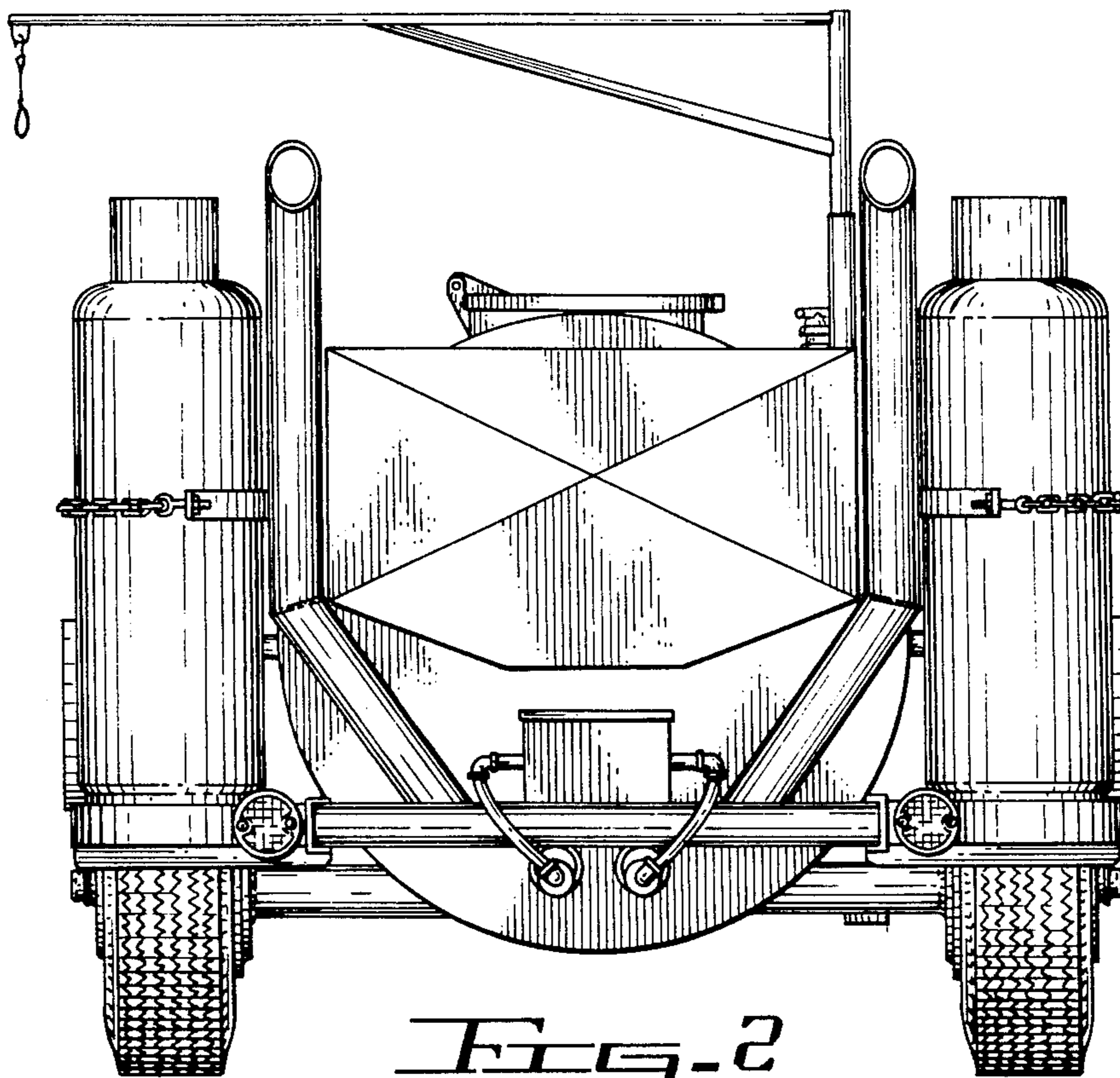


FIG. 1



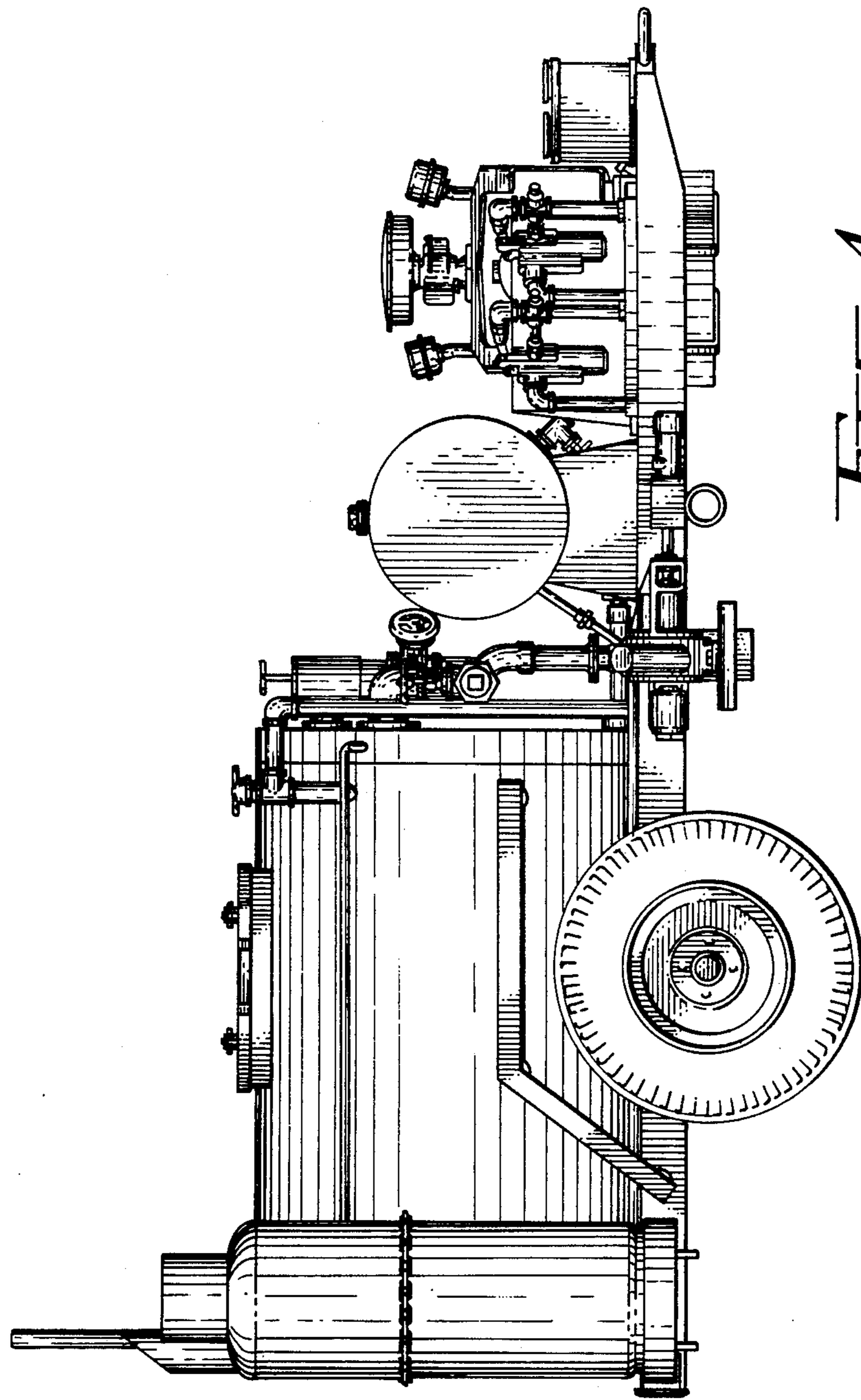


Fig. 4

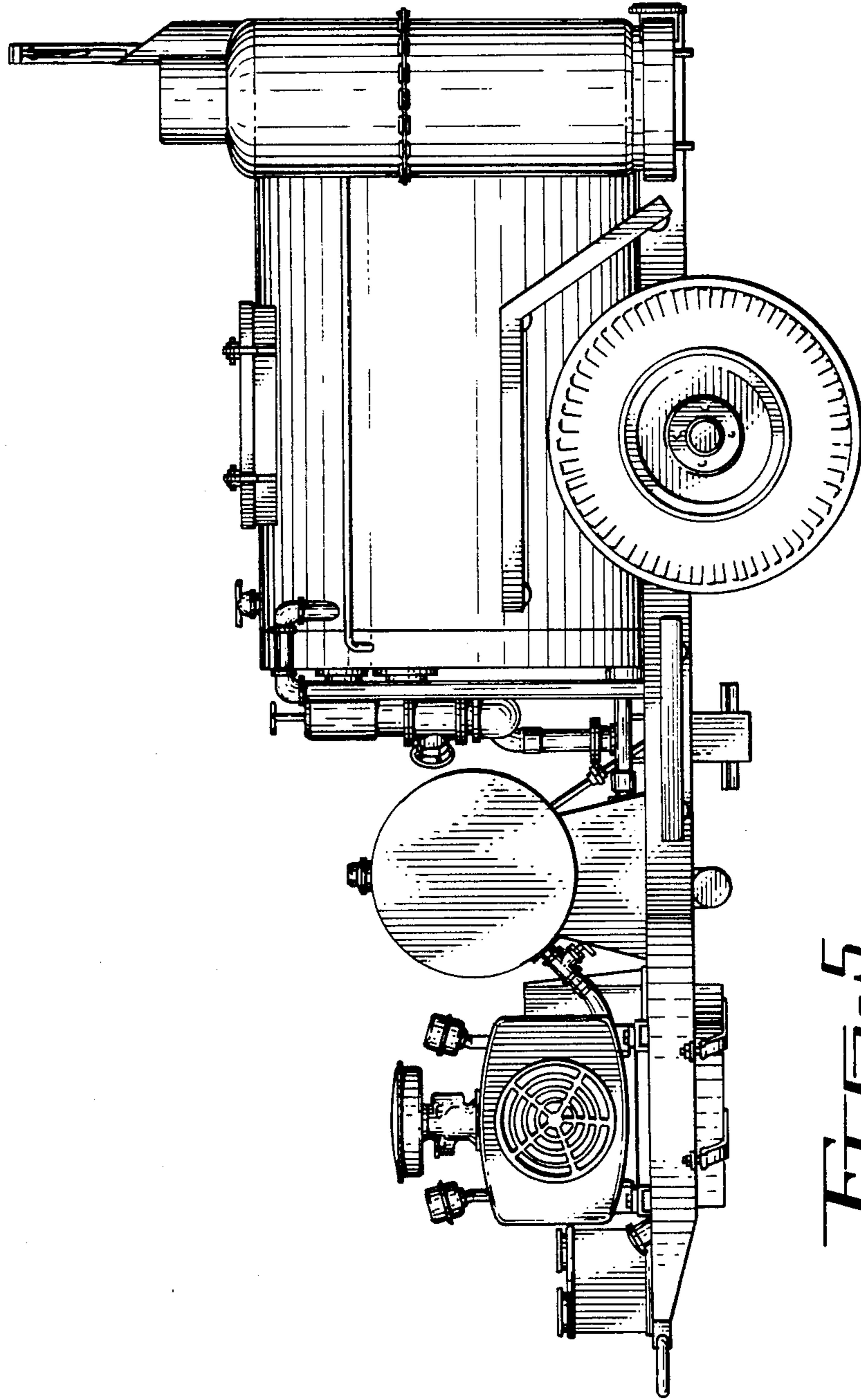


Fig. 5

UNITED STATES PATENT AND TRADEMARK OFFICE

Certificate

Patent No. D-257,149

Patented September 30, 1980

Carl C. Jacobson

Application having been made by Carl C. Jacobson, the inventor named in the patent above identified, and Grafco, Inc., the assignee, for the issuance of a certificate under the provisions of Title 35, Section 256, of the United States Code, adding the names of Mark C. Manning and Francis K. Hill as joint inventors, and a showing and proof of facts satisfying the requirements of the said section having been submitted, it is this 19th day of Feb., 1985, certified that the names of the said Mark C. Manning and Francis K. Hill are hereby added to the said patent as joint inventors with the said Carl C. Jacobson.

Fred W. Sherling,
Associate Solicitor.