

[54] AUTOMOBILE STARTER HOUSING

[76] Inventor: Donald G. Mescheder, 21202 Berendo Ave., Torrance, Calif. 90502

[**] Term: 14 Years

[21] Appl. No.: 899,382

[22] Filed: Apr. 24, 1978

[51] Int. Cl. D15-01

[52] U.S. Cl. D15/5

[58] Field of Search D15/1, 5; 123/195 R, 123/179 R, 179 M; 290/DIG. 1, 38 R, 36 R; 310/89

[56] References Cited

U.S. PATENT DOCUMENTS

D. 154,688 8/1949 Lind D15/1

OTHER PUBLICATIONS

J. C. Whitney Catalog No. 367B, p. 34, Starter Motor Conversion, Second Box up from bottom of page.

J. C. Whitney Catalog No. 367B, p. 133, Rebuilt Starter, bottom center of page.

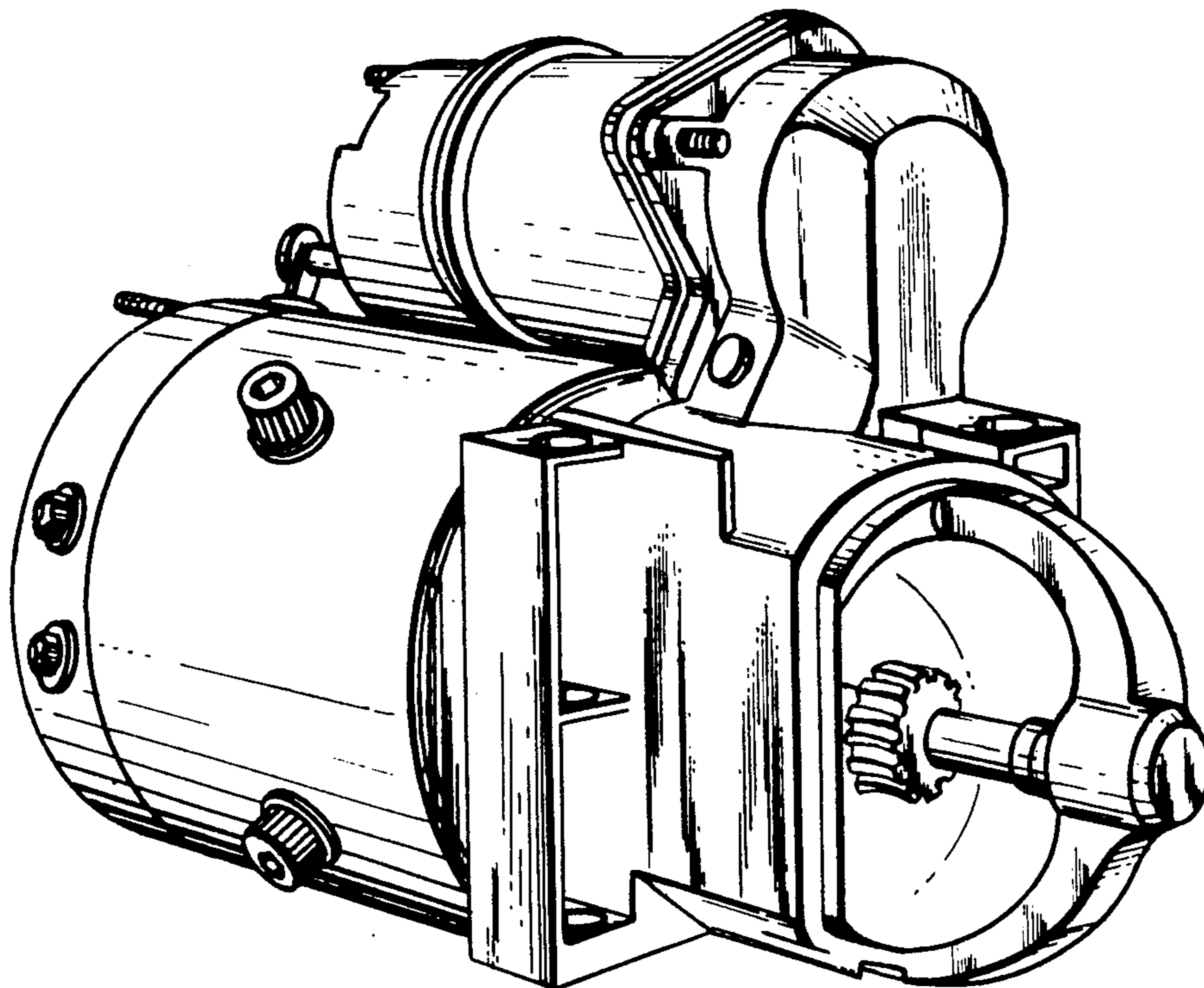
Primary Examiner—James M. Gandy
Attorney, Agent, or Firm—Gerald Singer

[57] CLAIM

The ornamental design for an automobile starter housing, substantially as shown and described.

DESCRIPTION

FIG. 1 is a perspective view of an automobile starter housing illustrating my new design; FIG. 2 is a front elevation view thereof; FIG. 3 is a rear elevation view thereof; FIG. 4 is a top plan view thereof; FIG. 5 is a bottom plan view thereof; FIG. 6 is a right side elevation view thereof; and FIG. 7 is a left side elevation view thereof.



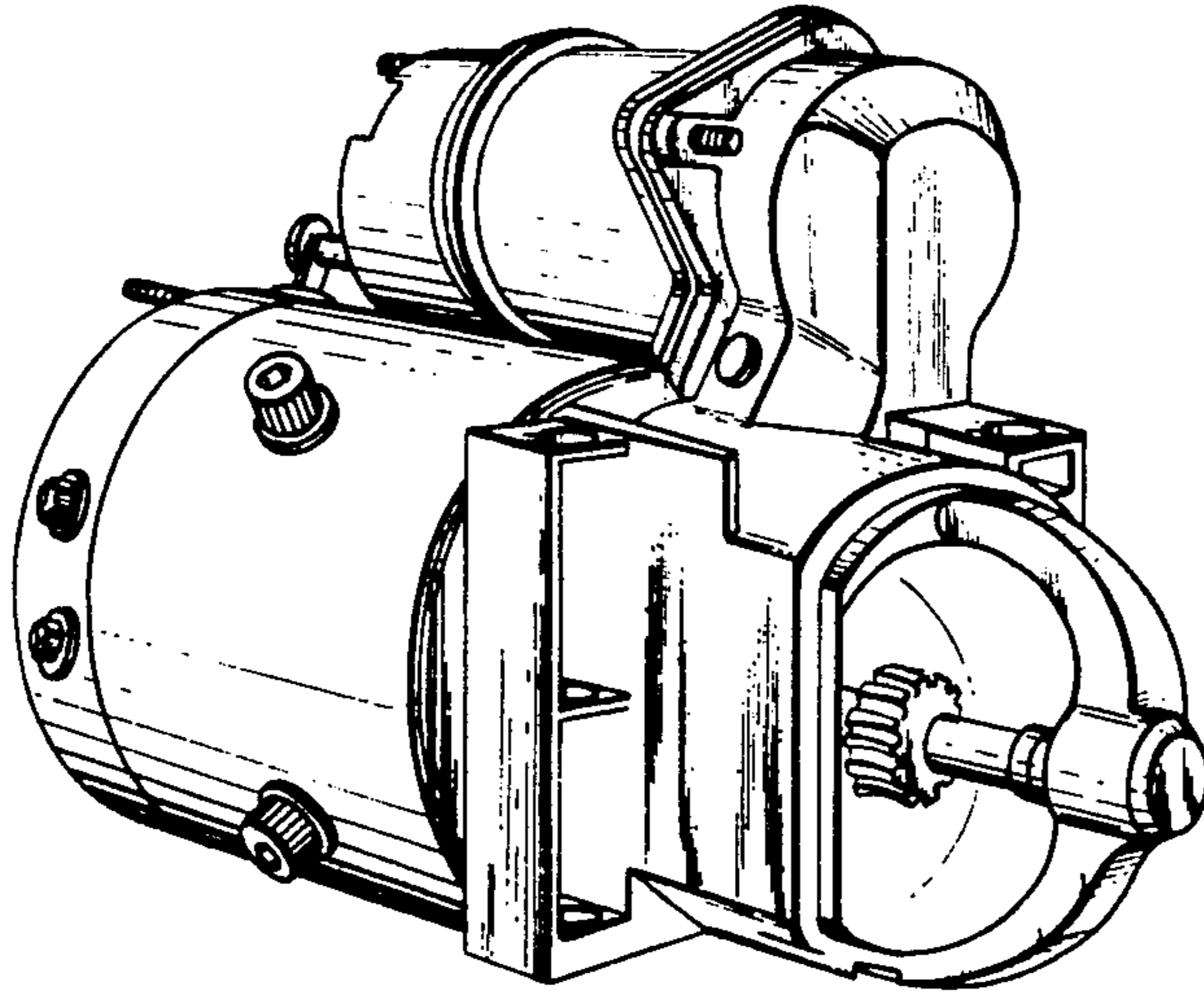


Fig. 1.

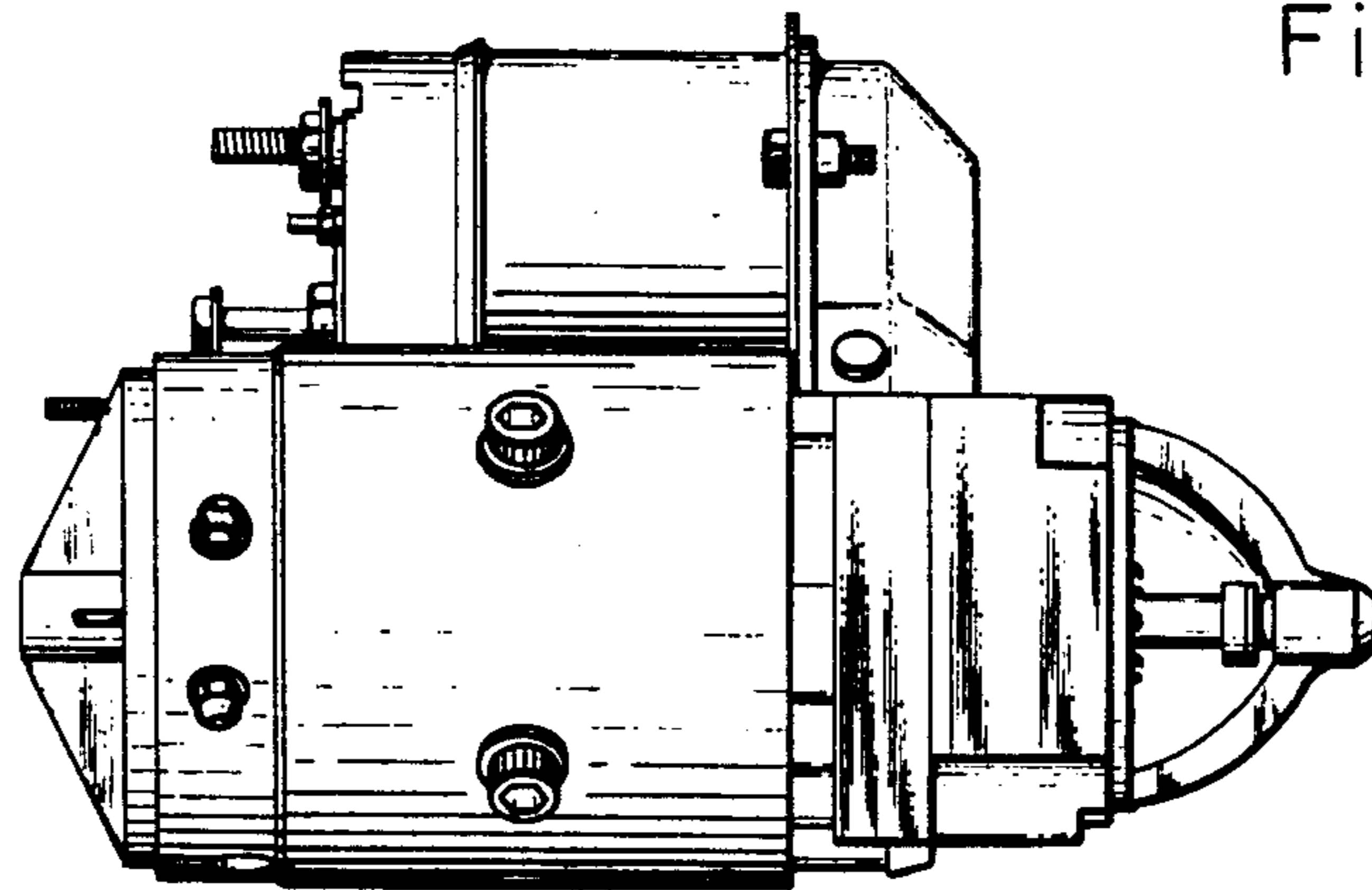


Fig. 2.

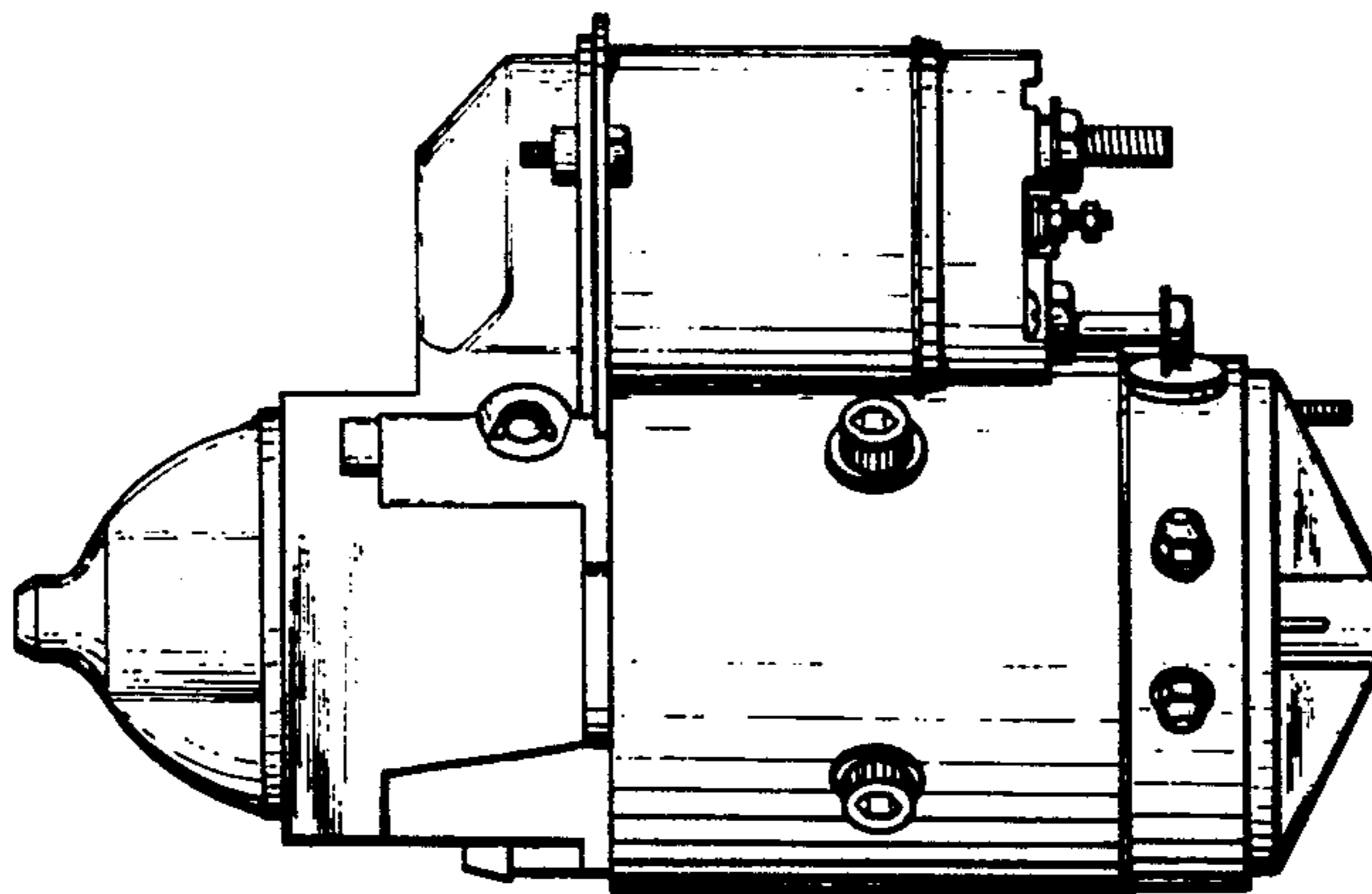


Fig. 3.

Fig. 4.

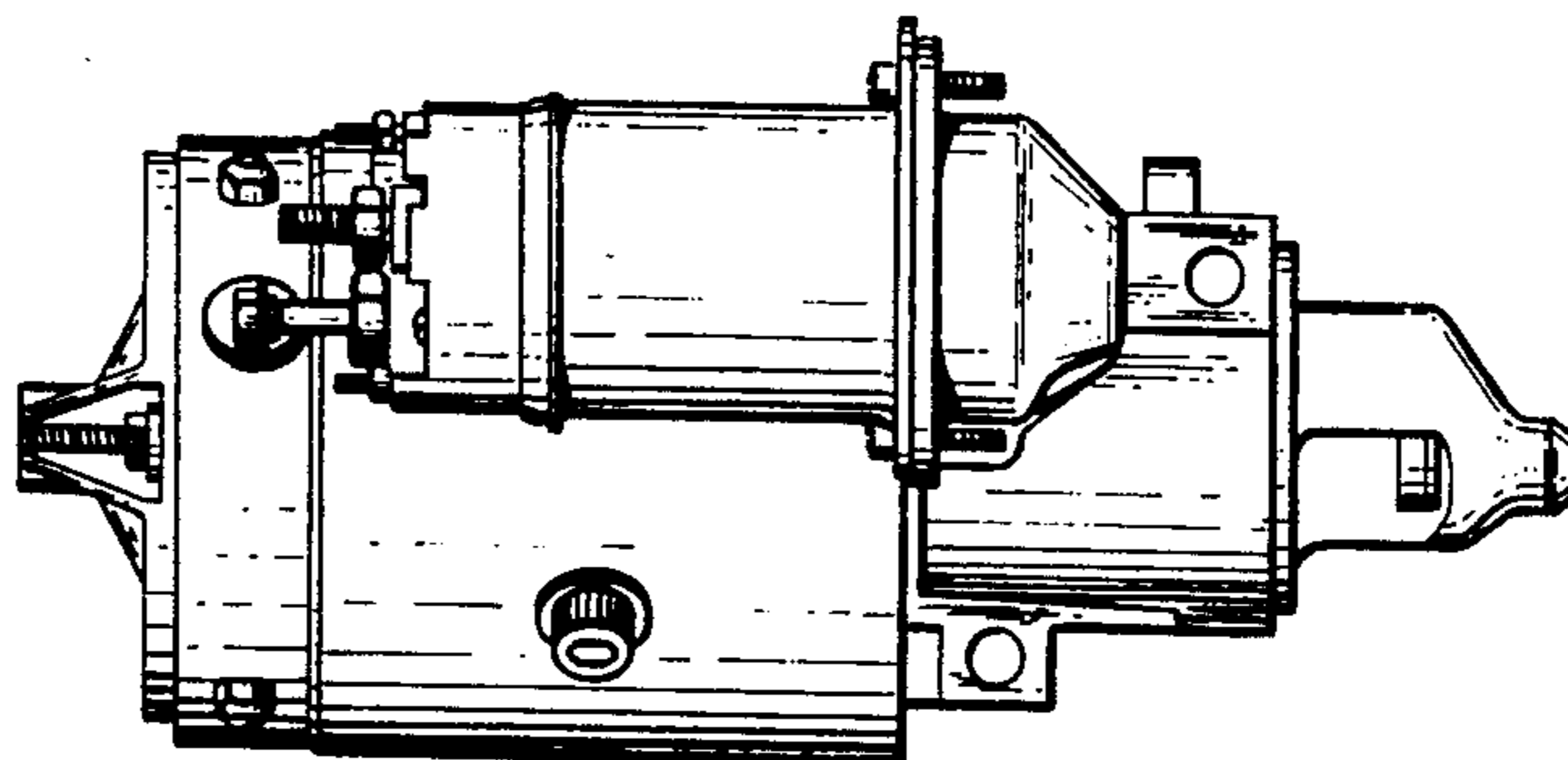


Fig. 5.

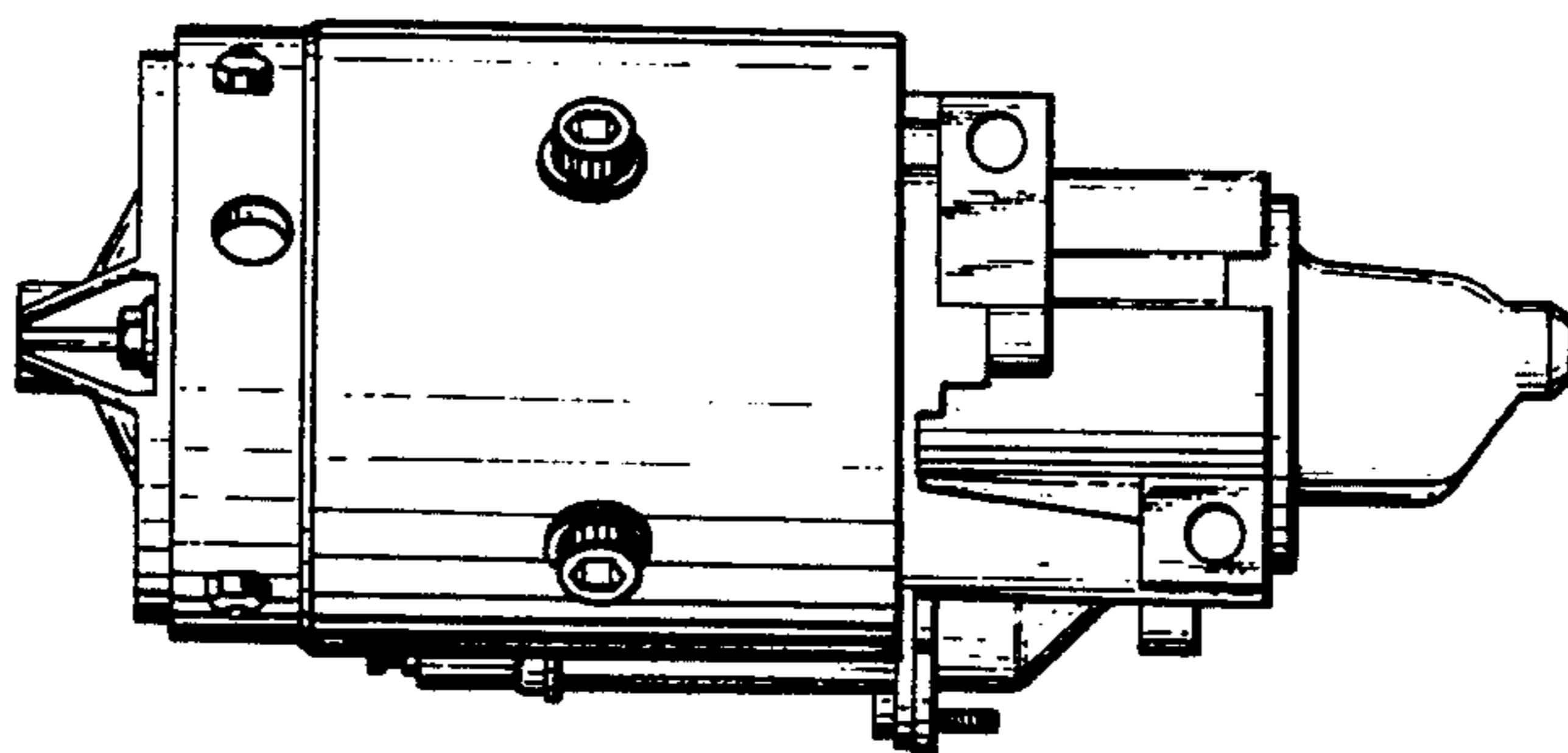


Fig. 6.

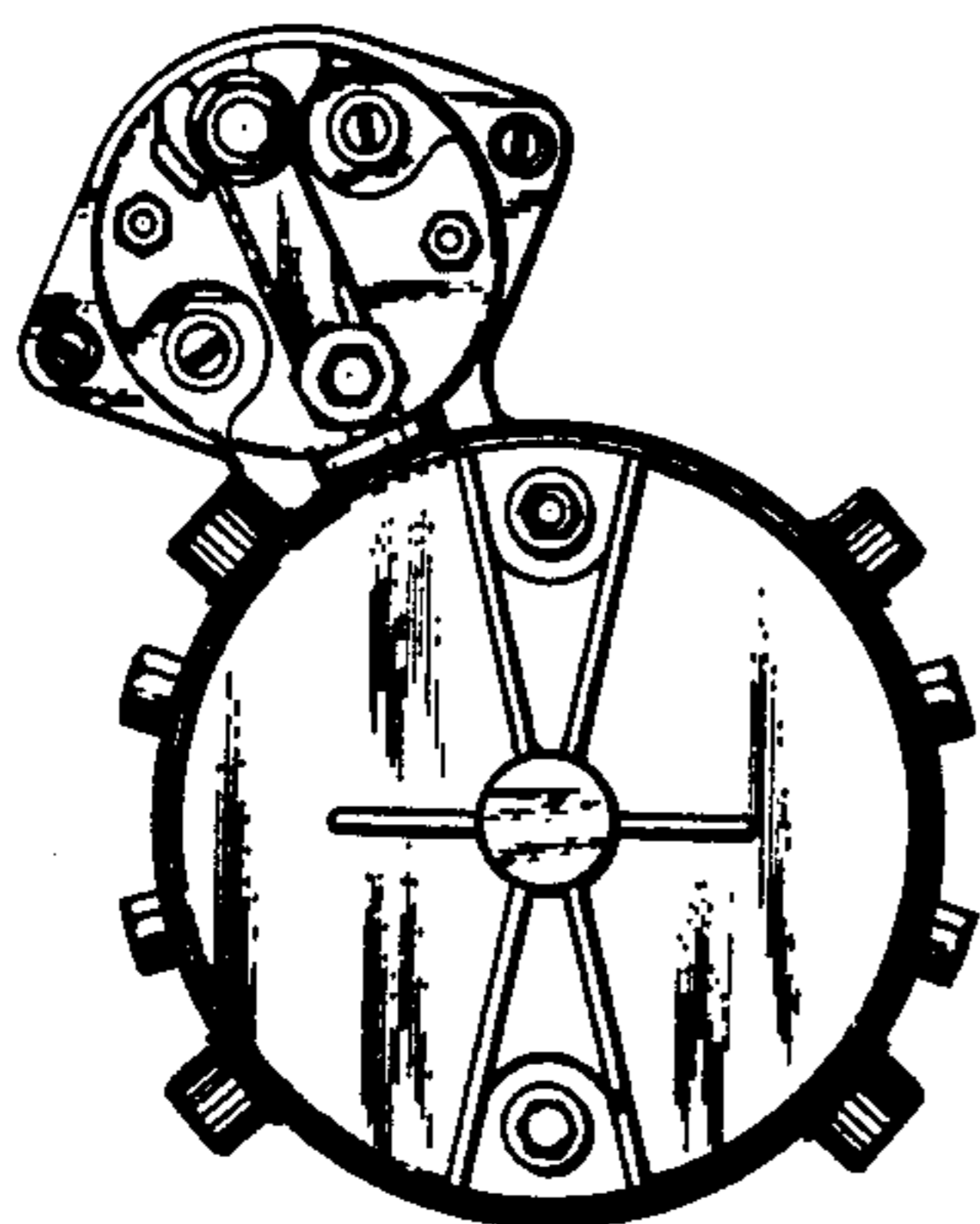


Fig. 7.

