

[54] **MOBILE PAPER CARRIER**
 [75] Inventor: **David Bigge**, Chicago, Ill.
 [73] Assignee: **Champion International Corporation**,
 Stamford, Conn.
 [**] Term: **14 Years**
 [21] Appl. No.: **937,264**
 [22] Filed: **Aug. 28, 1978**
 [51] Int. Cl. **D12-02**
 [52] U.S. Cl. **D12/25; D12/31**
 [58] Field of Search **D12/25, 31; 280/47.34,**
280/79.1 R, 79.1 A, 79.3

[56] **References Cited**
U.S. PATENT DOCUMENTS
 D. 175,719 10/1955 Frick D12/25
 253,024 1/1882 Ertell 280/79.1 R

3,132,875 5/1964 Plumly D12/31

OTHER PUBLICATIONS

Bakery Machinery Catalog No. 200, p. 59, Base of Boston Pan Rack, bottom left side of page.

Primary Examiner—James M. Gandy
Attorney, Agent, or Firm—Evelyn M. Sommer

[57] **CLAIM**

The ornamental design for a mobile paper carrier, substantially as shown.

DESCRIPTION

FIG. 1 is a perspective view of a mobile paper carrier showing my new design;
 FIG. 2 is a top plan view thereof;
 FIG. 3 is a side elevational view thereof;
 FIG. 4 is a rear elevational view thereof;
 FIG. 5 is a front elevational view thereof; and
 FIG. 6 is a bottom plan view thereof.

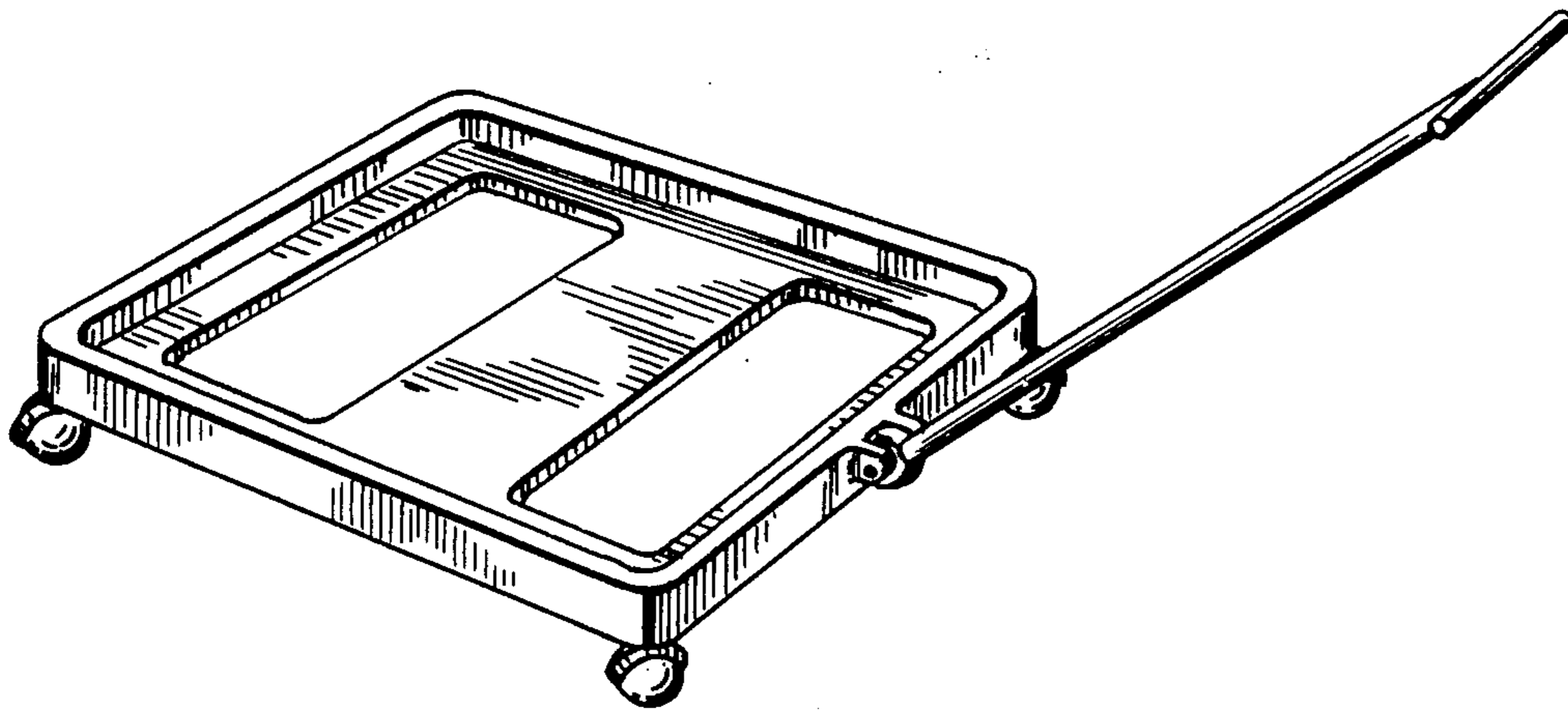


Fig. 1.

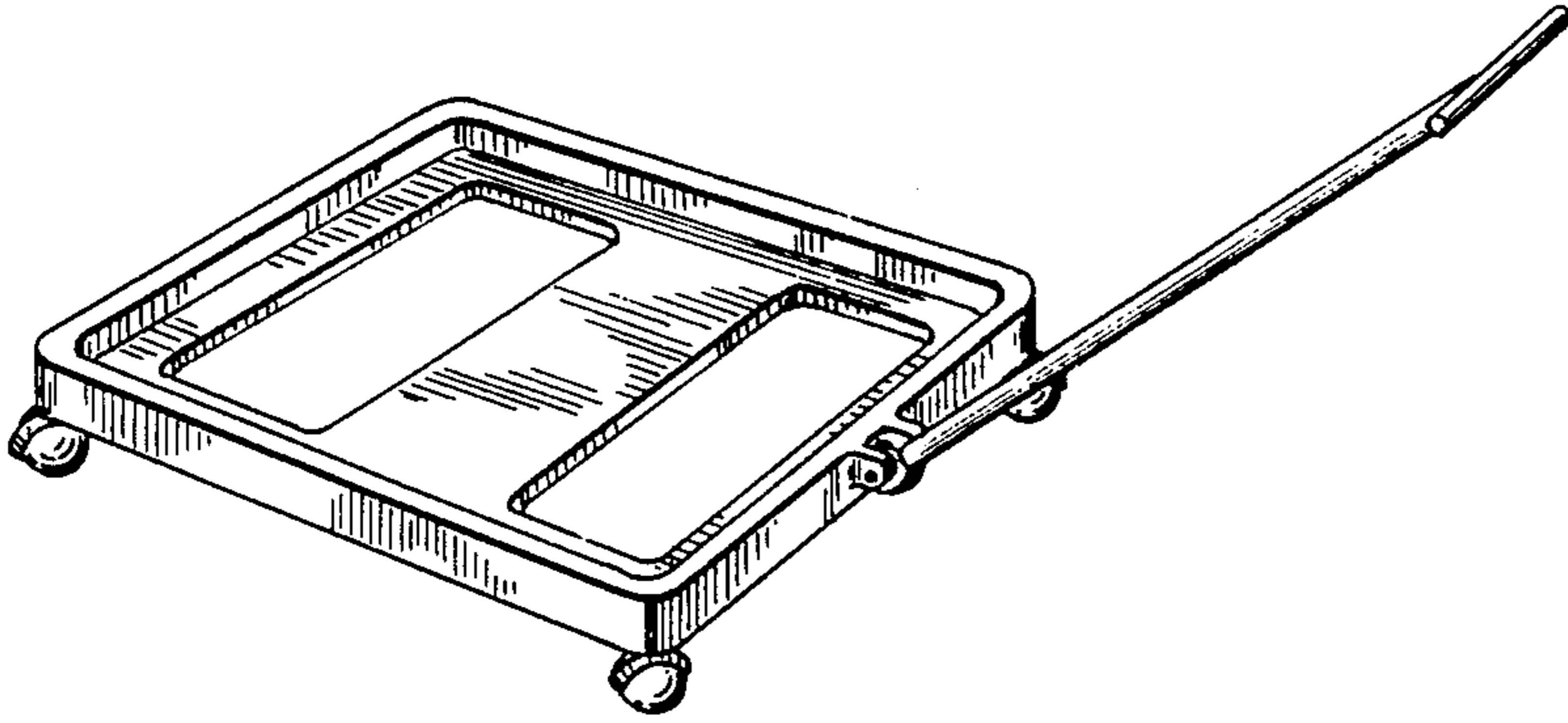


Fig. 2.

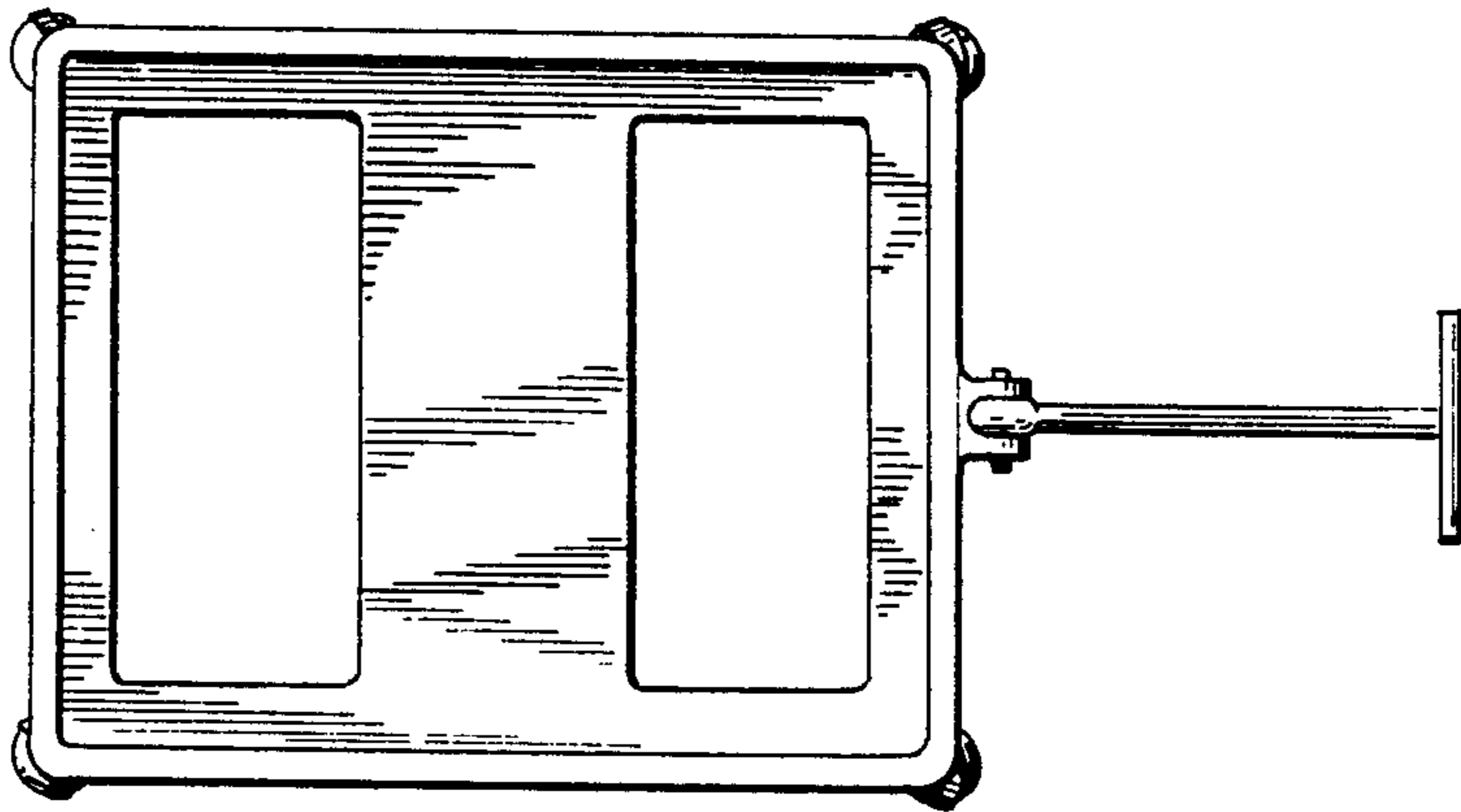


Fig. 3.

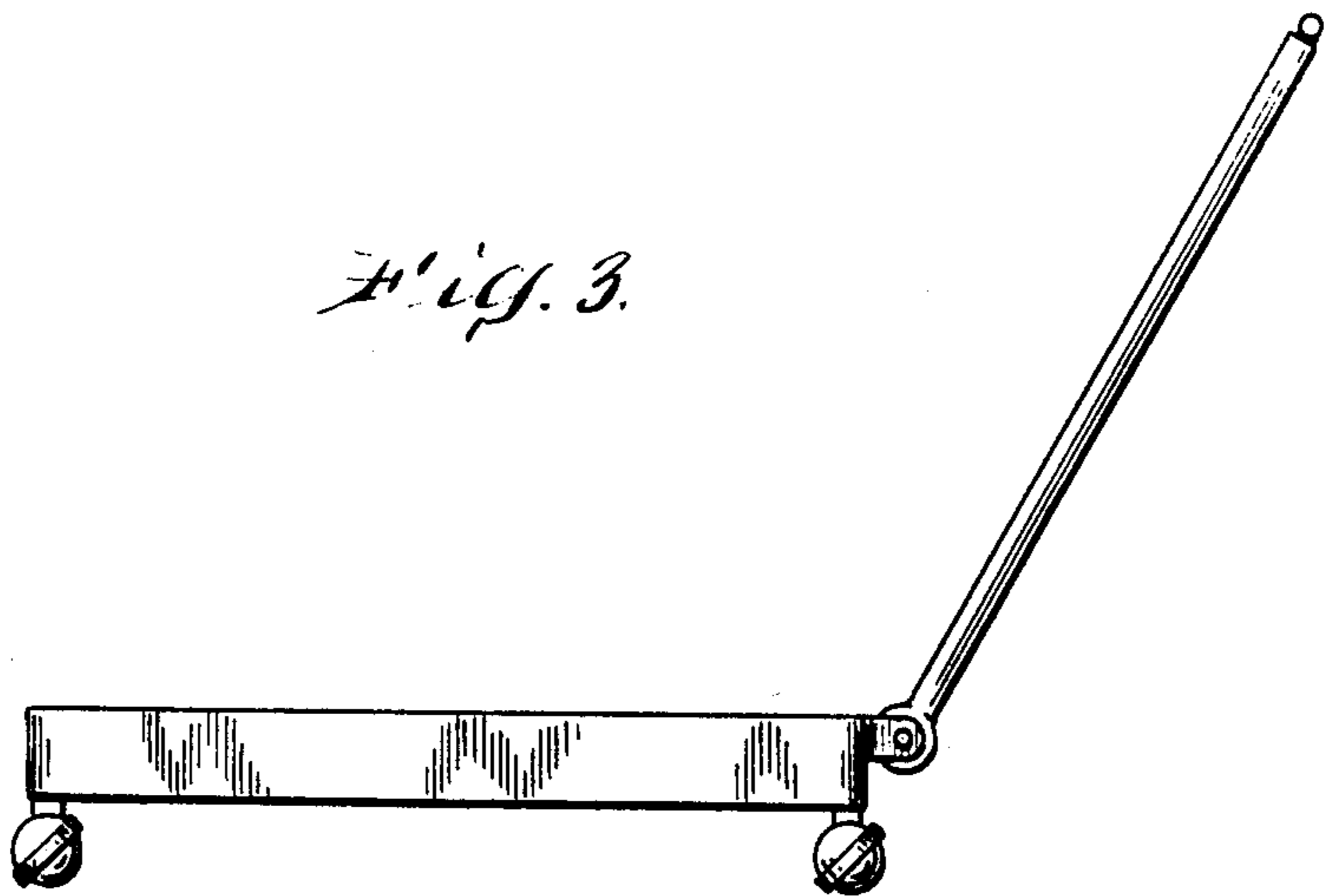


Fig. 4.

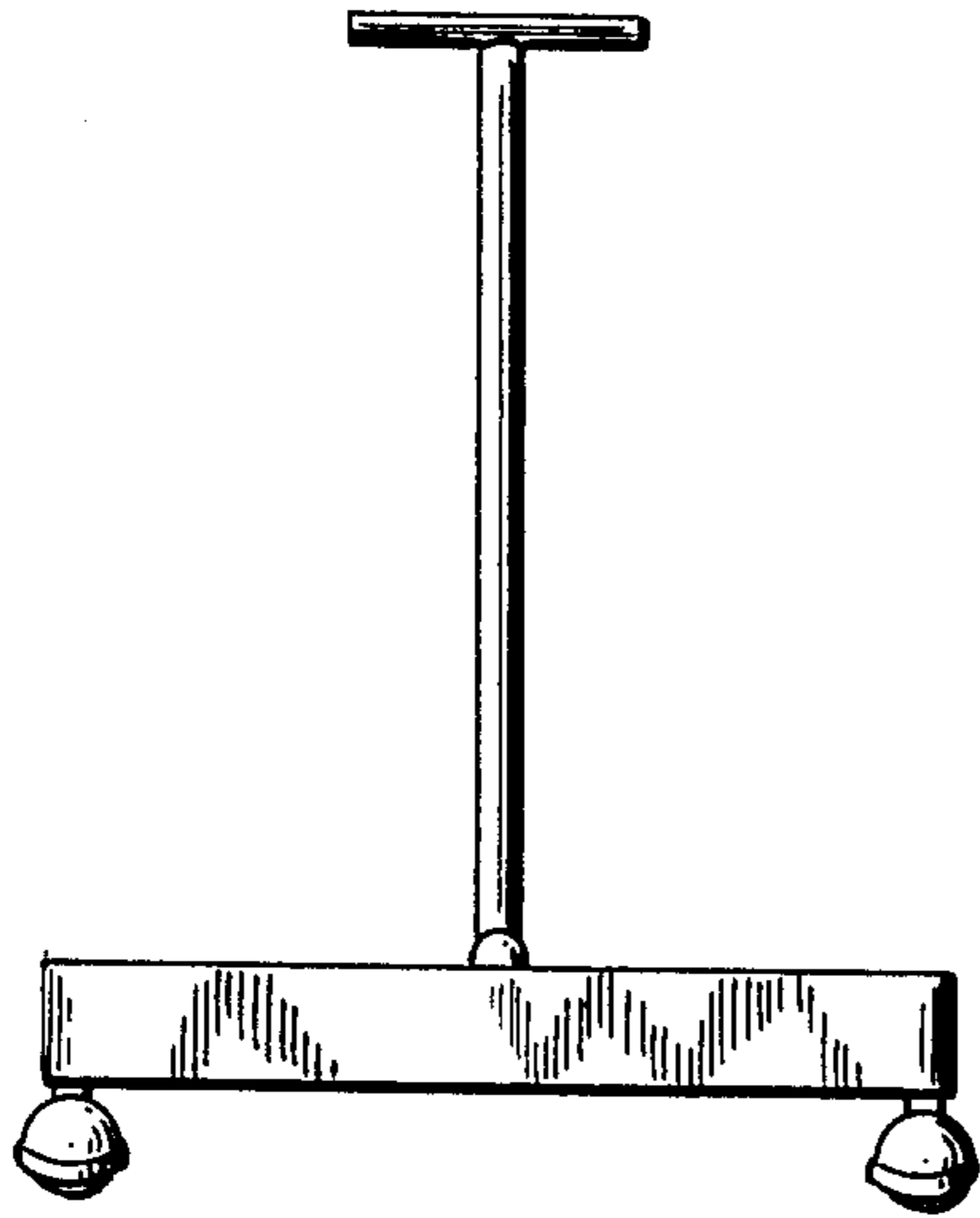


Fig. 5.

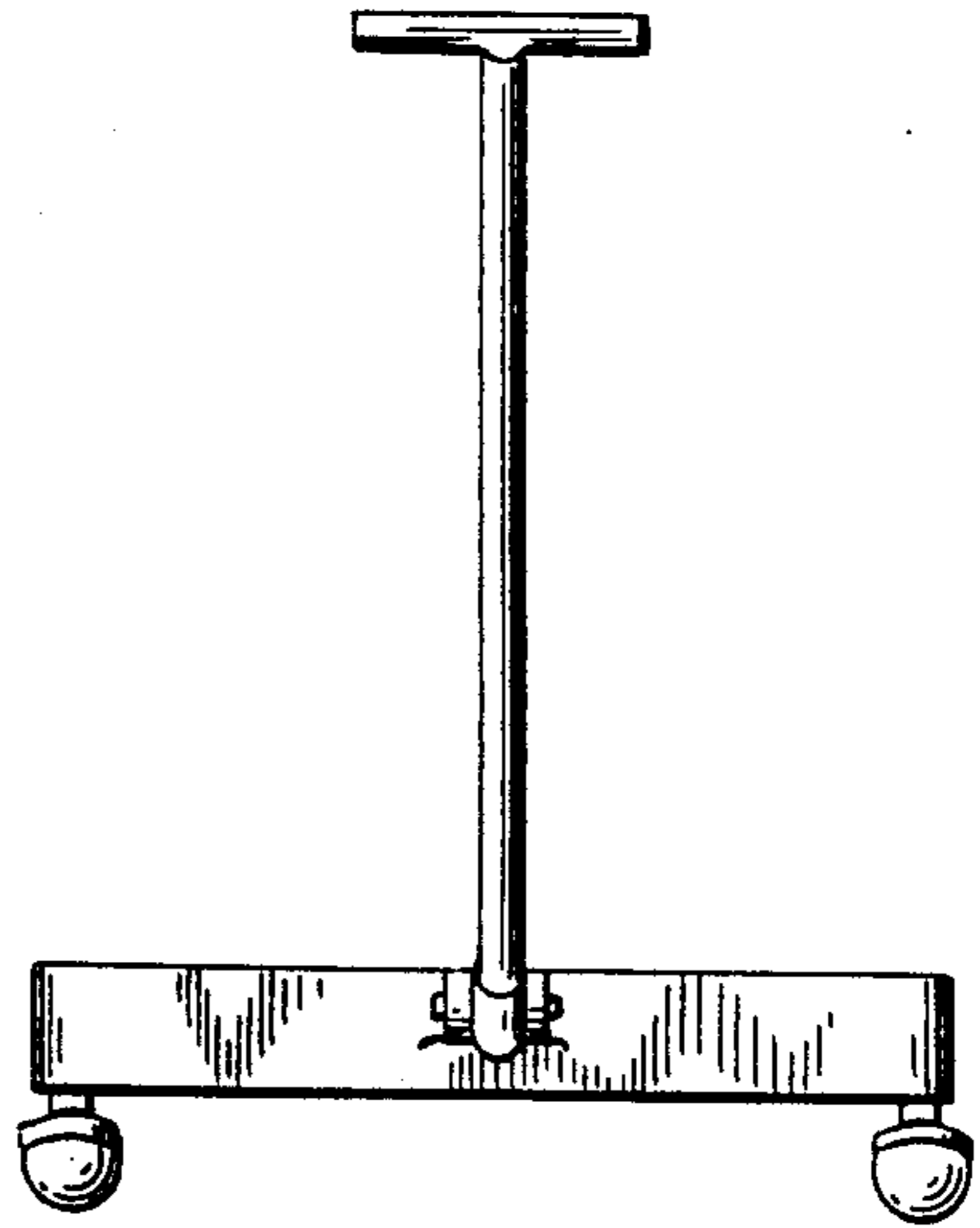


Fig. 6.

